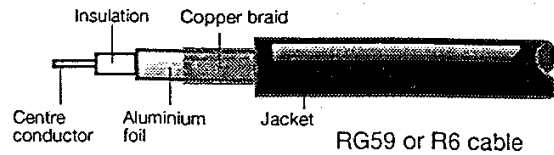


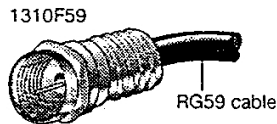
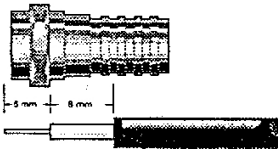
The difference between RG59 cable and RG6 cable

RG59 is the most common type of cable in current use. It is relatively inexpensive but has poorer transmission qualities than the professional quality RG6. RG6's jacket is 7mm dia. whereas RG-59 is 6mm. RG6 has a heavier centre conductor (1 mm instead of .05mm), heavier insulation (4.7mm instead of 3.7mm), and a heavier copper braid shield (4/0 x 12 x 16 instead of 2/0 x 12 x 16).

RG6 has lower attenuation per metre and is designed to handle higher frequencies.



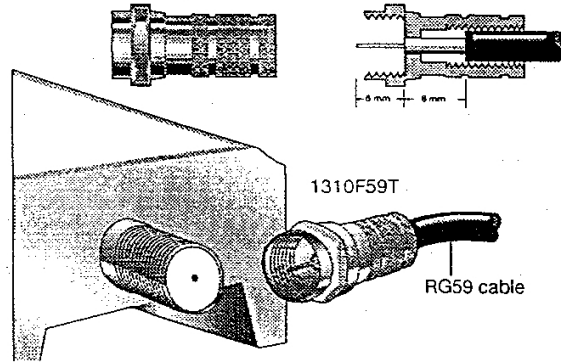
'F' connector types available



Cat 1310F59

'F' connector, male crimp type provides a connection between RG59 cable and female sockets.

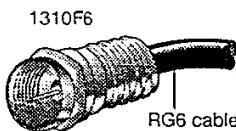
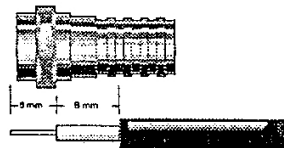
Use: Plugs into and screws onto the female sockets such as those in splitters, taps, etc. Also fits onto the female end of Cat 1310FL right angled 'F' connector.



Cat 1310F59T

'F' connector, male twist on type. RG59 cable twists into the device to provide a male connection.

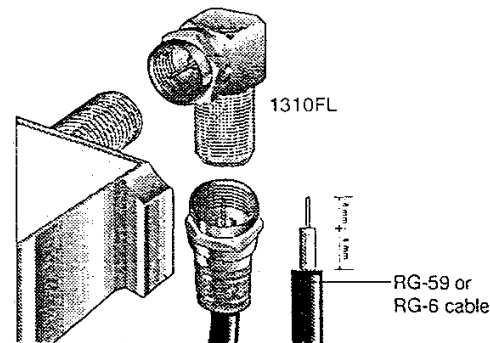
Use: Plugs into and screws onto female outlets such as those in splitters, taps etc, or onto a female connection such as in Cat 1310FL right angled 'F' connector.



Cat 1310F6

'F' connector, male crimp type providing a connection between RG6 cable and female sockets.

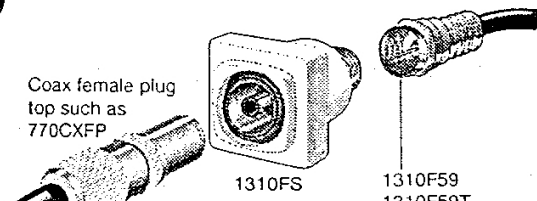
Use: Plugs into and screws onto the female sockets such as those in splitters, taps, etc. Also fits onto Cat 1310FL right angled 'F' connector.



Cat 1310FL

A right angled 'F' connector with a male socket that pushes and screws into a female socket such as those in splitters, taps etc. and has a female socket on the other end.

Use: When other 'F' connectors such as Cat 1310F59 male crimp type or Cat 1310F59T male twist type (both for RG-59 cable) or Cat 1310F6 male crimp type for RG-6 cable need to be inserted into taps and splitters etc (and space is limited) this right angled bracket is ideal.



Cat 1310FS

'F' connector, male type enclosed in HPM 770 insert which fits into any 770 plate. RG6 or RG59 cable is connected to the female back via a Cat 1310F59, 1310F59T, 1310FL or 1310F6.

Use: Provides a wall plate socket for PAL plug to be inserted