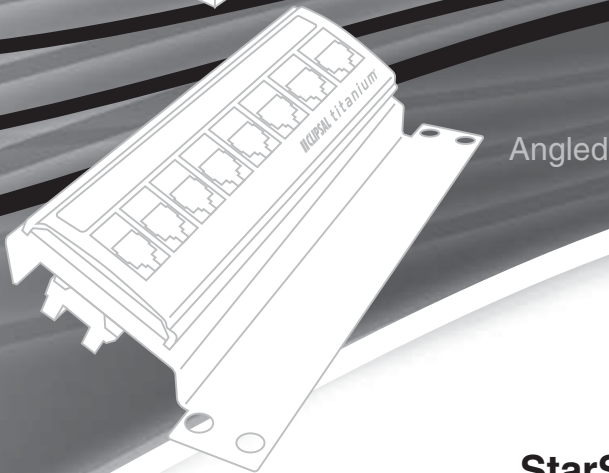
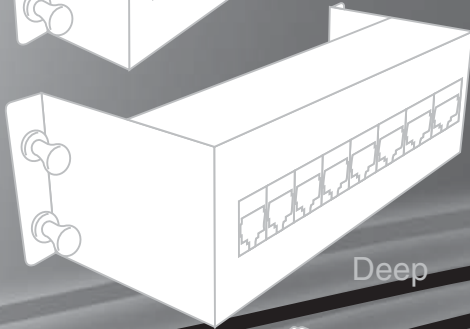
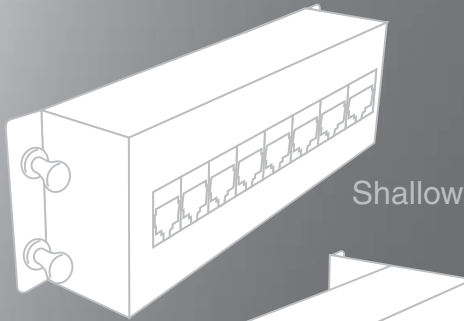


CLIPSAL[®]

by **Schneider Electric**



StarServe Harmonicas

Telephone Modules

8052/4RJ

8052/4RJDMB

8052/4RJSMB

Angled

3105ATPP2X4

Data / Patching Modules

8058/8RJDMB

8058/8RJSMB

Angled

3105APP8/5E

3105APP8/6



Wiring Instructions

Table of Contents

1.0 Product Range	3
2.0 Description	3
3.0 Features.....	3
4.0 Wiring Details.....	4
4.1 Telephone Harmonica Terminations.....	4
4.2 Data / Patching Harmonica Terminations.....	5
5.0 Product Specifications	6
5.1 Standard Harmonicas	6
5.2 Angled Harmonicas	7
6.0 Performance Specifications.....	8
7.0 Further Information	8

1.0 Product Range

8052/4RJ, 8052/4RJDMB, 8052/4RJSMB & 3105ATPP2X4
Telephone Harmonica, 4 Lines In / 2x4x2 Lines Out

8058/8RJDMB, 8058/8RJSMB, 3105APP8/5E & 3105APP8/6
Data / Patching Harmonica, 8 x RJ45 Outlets

2.0 Description

StarServe telephone harmonicas are eight way mini-patch panels suitable for voice applications. The unit accommodates four incoming phone lines, which may be distributed in pairs up to four locations, or 1 line is distributed to 8 locations.

StarServe data / patching harmonicas are eight way mini-patch panels suitable for voice and/or data applications.

The units incorporate eight ports which may be distributed to eight locations.

3.0 Features

StarServe Telephone Harmonicas

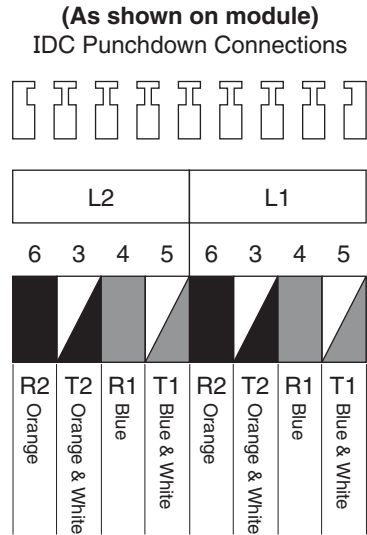
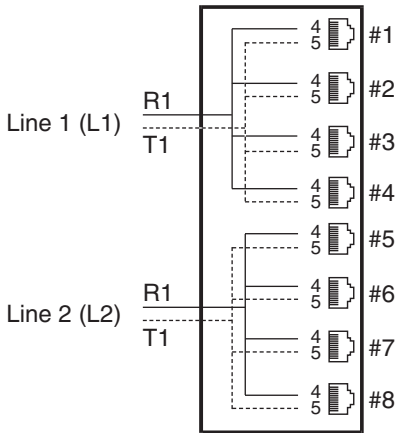
- Voice service for four incoming lines, with two pairs of outputs to four separate locations, or 1 line is distributed to eight locations (using jumpering).
- 110 IDC punch-down connectors on incoming lines
- 8 x RJ45 modular jack outputs
- Category 5 performance rating
- A-Tick compliant.

StarServe Data / Patching Harmonicas

- Data patching modules
- 110 IDC punch-down connectors on incoming conductors
- 8 x RJ45 modular jack outputs
- Category 5e performance rating and also available in Cat 6 (3105APP8/6 - Angled Patch Panel)
- A-Tick compliant.

4.0 Wiring Details

4.1 Telephone Harmonica Terminations



Alternative pinouts are available on R2 / T2 using pinouts 3 & 6, but will not suit standard phone connections. Installer will need to make leads to special pinout if pins 3 & 6 are used.

Telephone leads for the phone are typically connected to the two middle pins of the plug regardless of whether the plug is of 4, 6 or 8 pin configuration.

R1 = Ring 1

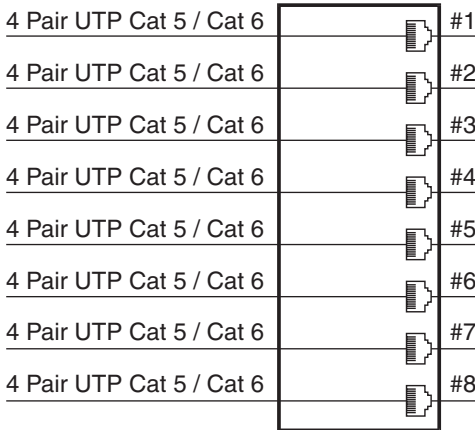
T1 = Tip 1

R2 = Ring 2

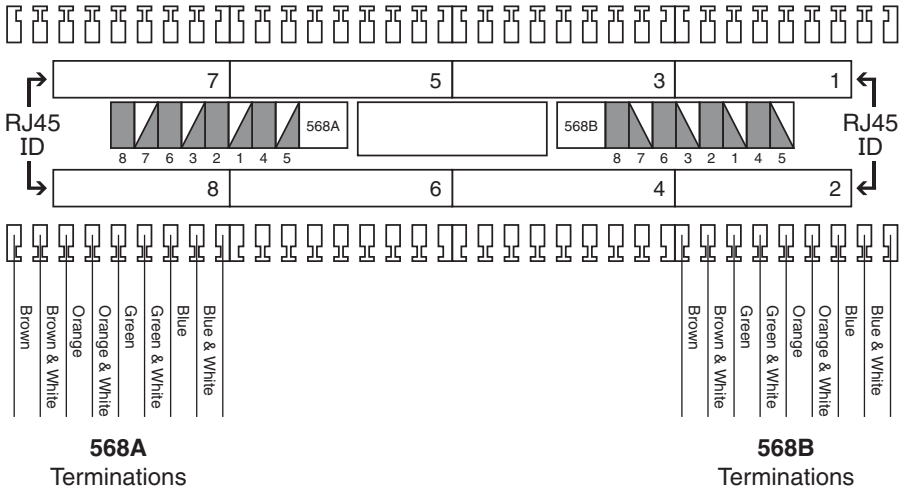
T2 = Tip 2

4.0 Wiring Details

4.2 Data / Patching Harmonica Terminations



(As shown on module)
IDC Punchdown Connections



5.0 Product Specifications

5.1 Standard Harmonicas

Catalogue No.		8052/4RJ 8052/4RJDMB 8052/4RJSMB	8058/8RJ 8058/8RJDMB 8058/8RJSMB
Input	Number of Lines In	4	8
	Connector Type	110 Punch-down (IDC)	110 Punch-down (IDC)
Output	Number of Lines Out	2 on pins 4 & 5 2 on pins 3 & 6	8
	Connector Type	8 x RJ45	8 x RJ45
Plastic Housing	Material	Polycarbonate GV self extinguishing UL-94VO	
Printed Circuit Board	Construction	UL FR4, 1.6mm double sided with through hole and gold plated	
	Transmission Performance	ISDN POTS	Category 5e TIA/EIA 568-B.2
Jack Connector	Operating Life	> 750 Insertions / Extractions	
	Contact Material	Meets FCC – Phosphor Bronze	
	Contact Plating	Gold 50 micro inches over nickel 100 micro inches	
	Body Material	Polycarbonate GV self extinguishing UL-94VO	
IDC Connector	Plastic Housing	Polycarbonate GV self extinguishing UL-94VO	
	Operating Life	200 Reterminations	
	Contact Material	Special Brass (Alpaca)	
	Contact Plating	Silver	
	Wiring Accommodation	0.40-0.65mm (AWG 22-26)	
Termination Tools	110 Punch-down (IDC)	Clipsal 110 Punch-down Tool	
Mechanical Details	Dimensions	DMB: 140 x 50 x 62mm (L x W x D) SMB: 140 x 50 x 30mm (L x W x D)	
	Shipping Weight	0.1kg	
	Operating Temperature	0 – 50°C	
	Operating Humidity	10 – 95% RH	
	Specifications typical @ 25°C ± 5°C		
	No user serviceable parts inside.		

Australian Installers Please Note:

Installation of the StarServe Harmonica must be carried out only by an authorised installer with a suitable ACA cabling licence.

5.0 Product Specifications

5.2 Angled Harmonicas

Catalogue No.		3105ATPP2X4	3105APP8/5E	3105APP8/6	
Input	Number of Lines In	4	8	8	
	Connector Type	110 Punch-down (IDC)	110 Punch-down (IDC)	110 Punch-down (IDC)	
Output	Number of Lines Out	2 on pins 4 & 5 2 on pins 3 & 6	8	8	
	Connector Type	8 x RJ45	8 x RJ45	8 x RJ45	
Plastic Housing	Material	Polycarbonate GV self extinguishing UL-94VO			
Printed Circuit Board	Construction	UL FR4, 1.6mm double sided with through hole and gold plated			
	Transmission Performance	ISDN POTS	Category 5e	Category 6	
Jack Connector	Operating Life	> 750 Insertions / Extractions			
	Contact Material	Meets FCC – Phosphor Bronze			
	Contact Plating	Gold 50 micro inches over nickel 100 micro inches			
	Body Material	Polycarbonate GV self extinguishing UL-94VO			
IDC Connector	Plastic Housing	Polycarbonate GV self extinguishing UL-94VO			
	Operating Life	200 Reterminations			
	Contact Material	Special Brass (Alpaca)			
	Contact Plating	Silver			
	Wiring Accommodation	0.40-0.65mm (AWG 22-26)			
Termination Tools	110 Punch-down (IDC)	Clipsal 110 Punch-down Tool			
Mechanical Details	Dimensions	147 x 74 x 45mm (L x W x D)	140 x 74 x 42mm (L x W x D)	140 x 74 x 42mm (L x W x D)	
	Shipping Weight	0.1kg			
	Operating Temperature	0 – 50°C			
	Operating Humidity	10 – 95% RH			
	Specifications typical @ 25°C ± 5°C				
	No user serviceable parts inside.				

6.0 Performance Specifications

Parameter	Product Specifications	TIA/EIA-568-B.1 Standards
Attenuation (dB) @ 100MHz	0.40 dB	0.40 dB
Return Loss (dB) @ 100MHz	23.5 dB	20.0 dB
NEXT (dB) @ 100MHz	44.6 dB	43.0 dB
FEXT (dB) @ 100MHz	38.9 dB	35.1 dB

7.0 Further Information

For further information about Clipsal StarServe, please consult the documentation supplied. Further assistance can be obtained as follows:

- **StarServe Installers Guide, Order number 11635**

A printed booklet containing detailed information for the installer regarding StarServe system design can be downloaded from the Clipsal Website.

- **Technical Support and Troubleshooting**

For further assistance, please consult your nearest Clipsal Sales Office.

Technical Support Hotline 1800 728 728

Website: www.clipsal.com

Clipsal Australia Pty Ltd

A member of Schneider Electric

Contact us: clipsal.com/feedback

National Customer Care Enquiries:

Tel 1300 2025 25

Fax 1300 2025 56

clipsal.com

Clipsal Australia Pty Ltd reserves the right to change specifications, modify designs and discontinue items without incurring obligation and whilst every effort is made to ensure that descriptions, specifications and other information in this catalogue are correct, no warranty is given in respect thereof and the company shall not be liable for any error therein.

© Clipsal Australia Pty Ltd. The identified trademarks and copyrights are the property of Clipsal Australia Pty Ltd unless otherwise noted.