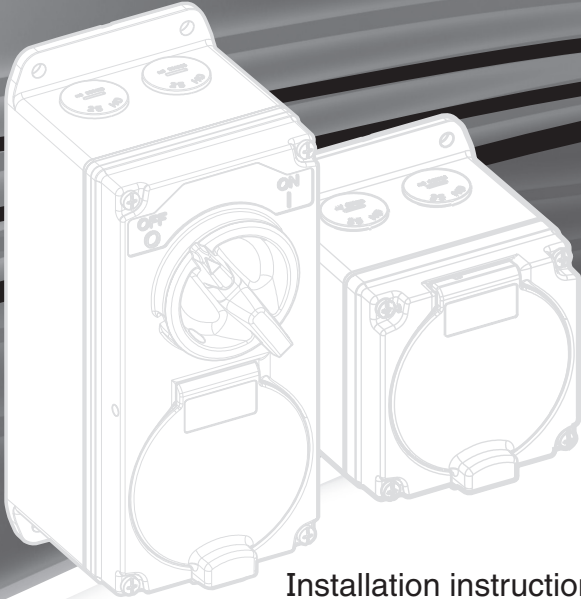




by Schneider Electric



Clipsal WilcoROWCO Metal Clad Switchgear

240/415V ~

Installation instructions used on WMB, WMS and WMC

Earthing

Ensure continuity of the earth is maintained throughout the installation.
All metal parts must be earthed according to AS/NZS3000 wiring regulations.

IP Rating

Torque levels for fixing of cover screws should be set between 0.8Nm - 1.2Nm
To ensure the IP66 Rating is maintained, all conduit entry points and mounting holes must be sealed.

Suitable silicone sealants include:

- Dow Corning 732, 739 and 1080
- Ramset RC804 and RBC833
- Selley's Roof and Gutter Sealant

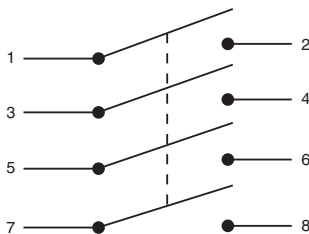
Notice: do not use incorrect silicone sealant. Internal plastic may fail.

Terminal Screws

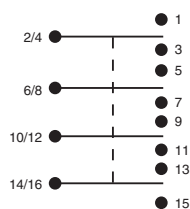
Notice: check terminal screws for tightness before completing install, they may have loosened during transit. Failure to check may result in equipment damage.

Wiring Diagrams for WMC and WMS

1-4P OFF/ON

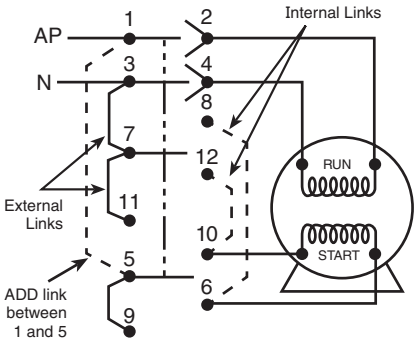


1-4P CHANGEOVER

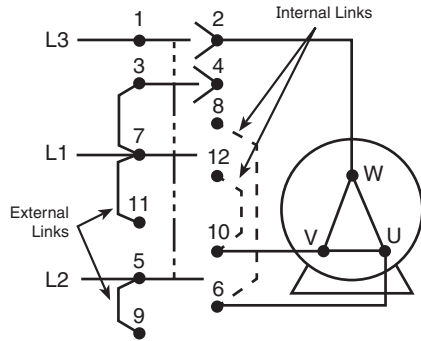


Wiring Diagrams WMS320R & WMS332R

Single Phase Reversing

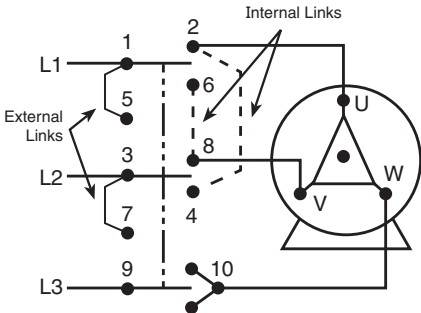


Three Phase Reversing



Wiring Diagrams WMS363R

Three Phase Reversing

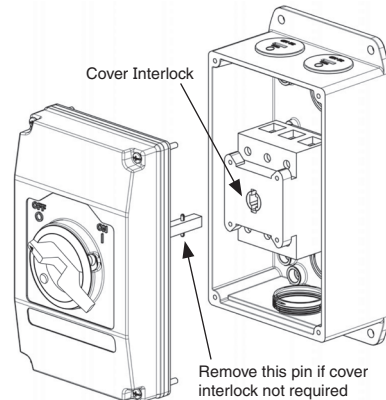


Cover Interlock

All base mounted switches are fitted with an optional cover interlock to prevent the removal of the cover when the switch is turned on.

Turn off and isolate the switch before removing the cover.

If the cover interlock is not required, remove the pin in the actuating shaft.



Schneider Electric (Australia) Pty Ltd

Contact us: clipsal.com/feedback

National Customer Care Enquiries:

Tel 1300 2025 25

Fax 1300 2025 56

clipsal.com

Schneider Electric (Australia) Pty Ltd reserves the right to change specifications, modify designs and discontinue items without incurring obligation and whilst every effort is made to ensure that descriptions, specifications and other information in this catalogue are correct, no warranty is given in respect thereof and the company shall not be liable for any error therein.

© 2014 Schneider Electric. All Rights Reserved.

Trademarks are owned by Schneider Electric Industries SAS or its affiliated companies.