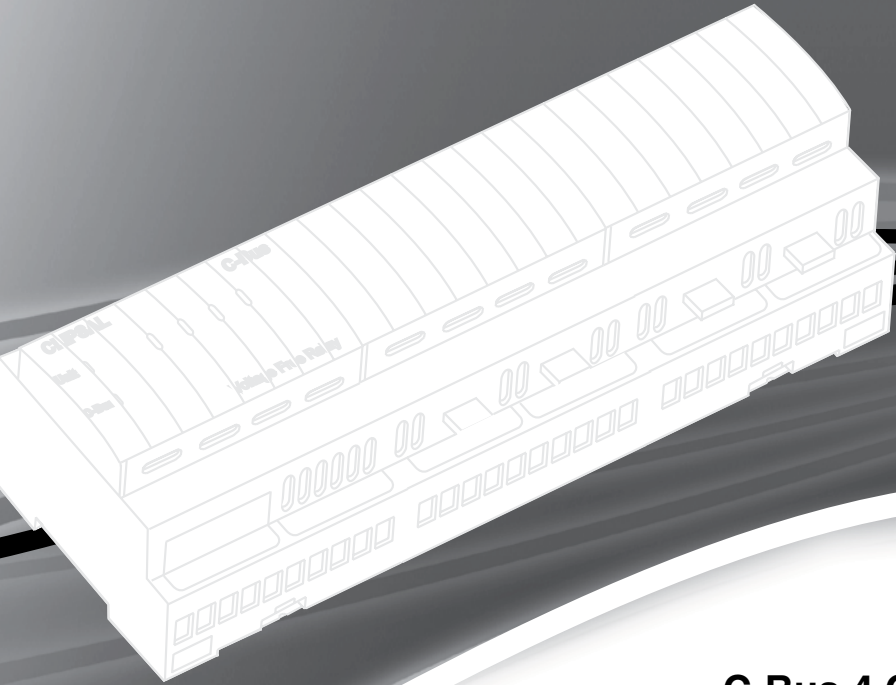


CLIPSAL[®]

by **Schneider Electric**



**C-Bus 4 Channel
Voltage Free Changeover Relay**

L5504RVFC

Series



Installation Instructions

Contents

1.0 Product Range	3
2.0 Description	3
3.0 Capabilities.....	3
4.0 Compatible Loads.....	4
5.0 Wiring Instructions.....	5
6.0 Connection to the C-Bus Network	6
7.0 C-Bus DIN Rail Series Relay Features.....	7
7.1 Local Override Buttons	7
7.2 Remote Override Facility	7
8.0 Priority of Operating Modes	8
9.0 Status Indicators	8
9.1 C-Bus Indicator.....	8
9.2 Unit Indicator	9
10.0 C-Bus System Clock.....	9
11.0 C-Bus Network Burden.....	10
12.0 Power-up Load Status	10
13.0 C-Bus Power Requirements.....	11
14.0 Stand-alone Programming.....	11
15.0 Power Surges and Short Circuit Conditions	11
16.0 Megger Testing.....	11
17.0 Standards Complied.....	12
18.0 Programming Requirements	13
19.0 Mechanical Specifications.....	13
20.0 Electrical Specifications	14
21.0 Warranty Statement.....	15

1.0 Product Range

L5504RVFC	4-Channel Voltage Free Changeover Relay, with C-Bus Power Supply (220-240V, 50-60Hz)
L5504RVFCP	4-Channel Voltage Free Changeover Relay (220-240V, 50-60Hz)
LE5504TRVFC	4-Channel Voltage Free Changeover Relay, with C-Bus Power Supply (110-120V, 50-60Hz)
LE5504TRVFCP	4-Channel Voltage Free Changeover Relay (110-120V, 50-60Hz)

2.0 Description

The L5504RVFC Series C-Bus 4-Channel Voltage Free Changeover Relay products are C-Bus output devices, designed to be used in a switchboard application. For ease of installation they are DIN rail mounted, measuring 8M wide (1M = 17.5 +0.5/-0.0 mm).

C-Bus connection is conveniently achieved through the use of RJ45 connectors, allowing similar units to be quickly looped together. 4 independent voltage free changeover relay contacts are provided for general switching applications.

3.0 Capabilities


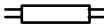
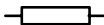



The L5504RVFC Series products have an internal C-Bus power supply capable of supporting a number of other C-Bus units (200mA capacity). All units with a suffix "P" do not have a C-Bus power supply, but consume no current from the C-Bus network during normal operation.

These units can generate a C-Bus system clock signal and apply a network burden, therefore providing all the support necessary for a simple C-Bus network. Local toggle buttons are provided on each unit to allow individual channels to be toggled at each unit or via C-Bus commands. Remote ON and OFF facilities are available, permitting all channels to be turned ON or OFF without C-Bus network communications.

These units isolate mains power from the extra low voltage C-Bus network.

4.0 Compatible Loads

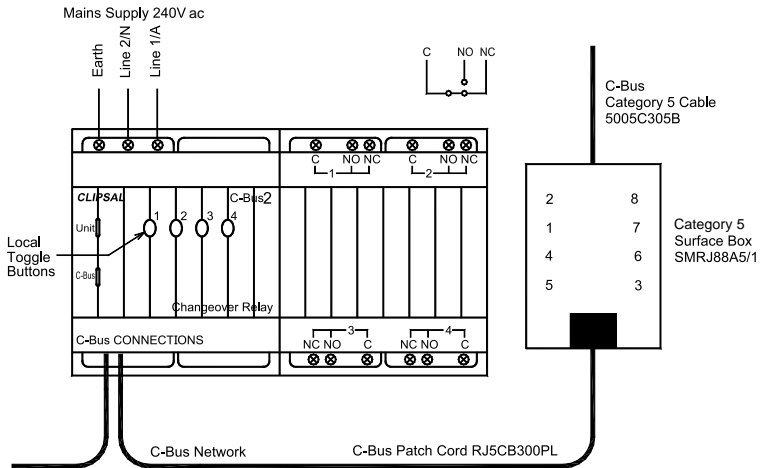
The L5504RVFC Series C-Bus 4-Channel Voltage Free Changeover Relay units are suitable for use with the following loads:

Load Symbol	Compatible Loads	Load Rating Per Channel
	Incandescent lighting Halogen 240V lamps	5A
	Fluorescent lighting	1A
	Resistive load	5A
	Low voltage lighting with iron-core transformers	5A
	Low voltage lighting with electronic transformers	
	Exhaust fans (shaded pole motors) * Ceiling fans (split-phase induction motors) *	2A

* The installer must ensure an appropriate isolating circuit breaker is installed with the motor in order to comply with local wiring rules applicable to the region.

5.0 Wiring Instructions

The L5504RVFC Series C-Bus 4-Channel Voltage Free Changeover Relay units are suitable for use with the following loads:

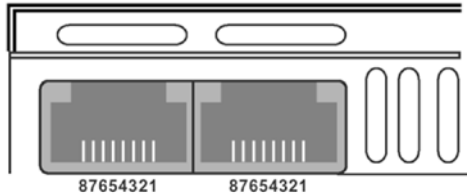


Notes:

- The unit is capable of handling up to 4 channels of switched Active loads. The installer should make adequate consideration for the total current consumption when selecting power feed cables. It is recommended the installer allow for multiple feed cables, each with its own MCB (rating not to exceed 10A).
- A maximum of 10 C-Bus DIN rail units (with 200mA power supply) can be connected to a single C-Bus network. A maximum of 100 "P" suffix units may be interconnected.
- The installer must fix mains cables in the distribution board using cable ties or trunking, as required by local wiring rules. Care must be taken not to allow copper strands to enter the DIN unit's apertures.
- Rubber bungs are supplied (3 of) for unused RJ45 connectors, to stop foreign bodies from entering the unit. Always ensure these bungs are installed when the relay unit is to be mounted inside a mains rated enclosure.
- The installer must ensure that all terminal screws are secured in accordance with local wiring rules (AS/NZS 3000 or equivalent). A maximum torque of 1.4Nm should be applied to the mains rated screw terminals.
- Use copper wire only.

6.0 Connection to the C-Bus Network

Installation requires connection to the unshielded twisted pair C-Bus network cable. The following illustration, shows the recommended cable termination technique for providing the best electrical performance. It is required that Category 5 data cable is used, Clipsal catalogue number 5005C305B.



RJ Pin	C-Bus Connection	Colour
1	Remote ON	Green/White
2	Remote ON	Green
3	C-Bus Neg (-)	Orange/White
4	C-Bus Pos (+)	Blue
5	C-Bus Neg (-)	Blue/White
6	C-Bus Pos (+)	Orange
7	Remote OFF	Brown/White
8	Remote OFF	Brown

Note:

It is recommended that the remote override (ON/OFF) connections be maintained for correct operation of these services across the C-Bus network, even if they are not intended to be used. Remote override services may be disabled in software if necessary.

7.0 C-Bus DIN Rail Series Relay Features

7.1 Local Override Buttons

The buttons located on the front of the unit provide a means to toggle each channel locally (at the unit). Each button is illuminated when the respective channel is in the ON state.

Operation	Function
Short Press	One short press will toggle the state of this channel only
Double Click	Two short presses within 2 seconds will return this channel only to the C-Bus network level
Long Press	Pressing any of the local override buttons for longer than 2 seconds will return all channels to the C-Bus network level

Note:

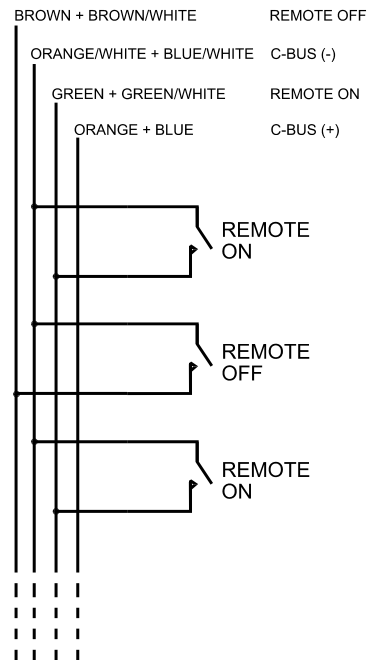
- Double click and long press operations will only occur if the unit/channel is already in override mode.
- C-Bus commands received by the unit will (by default) override local toggle changes. In this case, only the channel associated with the received commands will revert to the current C-Bus network state. This option may be disabled in software. Please refer to section 8.0, Priority of Operating Modes.

7.2 Remote Override Facility

Remote control of all channels on a unit can be achieved via the extra pairs of conductors on the C-Bus connector. The diagram opposite shows switches may be connected in parallel on any one network, using Green and Green/White conductors for the remote ON function. Brown + Brown/White may be wired in the same fashion for remote OFF; with these conductors being connected to C-Bus negative, via the switch to action this state. A Clipsal 30/1/2LM mechanism makes an ideal remote input switch.

Note:

C-Bus is a balanced network and therefore at any point where C-Bus negative (-) is taken, C-Bus positive (+) must also be present. Hence, both network conductors must be looped through all remote input switches on the network.



8.0 Priority of Operating Modes

The output status of the L5504RVFC Series C-Bus 4-Channel Voltage Free Changeover Relay product can be changed by:

- pressing a C-Bus key
- activating any of the local override buttons
- using the remote override facilities.

The table below shows the priority ranking of these control inputs:

Mode	Priority	Function
Remote OFF	1 (highest)	Turns all channels OFF
Remote ON	2	Turns all channels ON
Local Override	3*	Toggle channel
C-Bus Input Unit (Key, PIR, etc)	4* (lowest)	Control the channel

* Local override has priority over normal C-Bus commands received on the bus, such as those generated by pressing a C-Bus key. By default, if any channel is in Local override mode and a C-Bus command is received for that channel, the C-Bus command state will be imposed (“Enable C-Bus Priority” option). This feature can be disabled in software so all relevant C-Bus commands will be ignored by the unit when it is in local override mode.

For further information about programming this, and other C-Bus units, please refer to the C-Bus Toolkit help.

9.0 Status Indicators

9.1 C-Bus Indicator

This indicator shows the status of the C-Bus network at this unit. If sufficient network voltage and a valid C-Bus clock signal are present then the ‘OK’ signal will be displayed (_____). If a network is connected, which has more current load than the power supplies can support, then this indicator will flash to show a marginal network voltage. If there is no C-Bus clock present then this indicator will not light. When the unit is powered from C-Bus only, for stand-alone programming, this indicator will not function.

Indicator Status	Meaning
On	Power on and functional
Flashing	Insufficient power to support network
Off	No C-Bus clock signal present; no mains connected

Further debugging of possible network problems can be achieved with the Clipsal C-Bus Network Analyser Tool (5100NA).

9.2 Unit Indicator

This indicator shows the status of the individual unit. When mains is supplied to the unit, 'OK' will be displayed (continuous green light). If any of the 4 channels have been toggled (using override facilities) into a state other than is present on the C-Bus network, this indicator will flash with a 90% on duty cycle. This applies to either local or remote override inputs. When the unit is powered from C-Bus only for stand-alone programming, this indicator will not function.

Indicator Status	Meaning
On	Normal operation
Flashing	Unit in override mode
Off	No mains connected

10.0 C-Bus System Clock

The L5504RVFC Series C-Bus 4-Channel Voltage Free Changeover Relay product incorporates a software selectable C-Bus system clock. The system clock is used to synchronise data communication waveforms on a C-Bus network. At least one active C-Bus system clock is required on each C-Bus network for successful communications. No more than three units on any C-Bus network should have clock circuitry enabled, so this option should normally be disabled using the C-Bus installation software.

If a system clock is required, it can be enabled from the "Global Tab" on the graphical user interface (GUI) for the unit.

11.0 C-Bus Network Burden

The L5504RVFC Series C-Bus 4-Channel Voltage Free Changeover Relay product incorporates a software selectable network burden. The network burden can be enabled using the C-Bus Installation Software.

A network burden may or may not be required to ensure correct operation of the C-Bus network. If in doubt, consult the C-Bus calculator (network design verification software utility) before proceeding with the hardware installation.

CAUTION:

The graphical user interface (GUI) software is designed to prevent the burden from accidental selection. The following steps are required to correctly enable the network burden from the GUI:

1. Set the unit address to '001'.
2. Turn to the 'Global Tab' of the GUI.
3. Select the network burden check box (cross inside box for ON).
4. Click the OK button.
5. Select 'Save to Network' and/or 'Save to Database'.
6. Click the OK button.
7. Repeat steps 3 and 4 within 20 seconds, to save your selection.

To disable the network burden the same process applies, except the burden selection check box is cleared (remove cross).

Important Note:

Always disable all 5100PC interface network burdens before installing C-Bus DIN range products which include a power supply (non "P" suffix versions). If a burden is required, use the built-in burden on the DIN rail unit only.

12.0 Power-up Load Status

All C-Bus units have onboard non-volatile memory, which is used to store the operating state of the unit in case of power loss. On restoration of power the DIN rail relay unit initiates a short power-up diagnostic routine, which lasts for approximately 5 seconds. User programmable options will then allow the relay status to be set as desired. The use of non-latching relays ensure all relays are off when mains is removed from the unit.

For further information about programming this, and other C-Bus units, please refer to the C-Bus Toolkit help.

13.0 C-Bus Power Requirements

The L5504RVFC Series C-Bus 4-Channel Voltage Free Changeover Relay is available in several different configurations. All variants draw 18mA from the C-Bus network, when not connected to the mains supply. With mains connected, these units draw no current from the C-Bus network.

In addition, a unit whereby the catalogue number does not include a “P” suffix (such as the L5504RVFC) can supply up to 200mA to the network when it is connected to the mains. “P” suffix variants (such as the L5504RVFCP) do not include the 200mA power supply.

Adequate C-Bus power supply units must be installed to support the connected devices. If in doubt, consult the C-Bus calculator (network design verification software utility) before proceeding with the hardware installation.

14.0 Stand-alone Programming

The L5504RVFC Series C-Bus 4-Channel Voltage Free Changeover Relay products can be programmed without a mains connection. The unit can be connected to any operational C-Bus network that is capable of supporting one or more extra C-Bus units (18mA current required). The unit can then be configured using the C-Bus Installation Software. Indicators and relays will only function when a mains connection is made.

15.0 Power Surges and Short Circuit Conditions

The mains voltage must be limited to the range specified for any unit which is mains powered. Each unit incorporates transient protection circuitry. Additional external power surge protection devices should be used to enhance system immunity to power surges. It is strongly recommended that overvoltage equipment such as the Clipsal 970 be installed at the switchboard.

16.0 Megger Testing

Megger testing must never be performed on the C-Bus data cabling or terminals, as it may degrade the performance of the network.

Megger testing mains wiring of an electrical installation that has C-Bus units connected will not cause any damage to C-Bus units. Since C-Bus units contain electronic components, the installer should interpret megger readings with due regard to the nature of the circuit connection.

17.0 Standards Complied

DECLARATIONS OF CONFORMITY

European Directives and Standards

Models L5504RVFC Series comply with the following:



European Council Directive		Standard	Title
89/336/EEC	EMC Directive	IEC/CISPR 14; EN 55014 IEC61000-3-2; EN61000-3-2 EN 61000-4-2 EN 61000-4-3 EN 61000-4-4 EN 61000-4-5 EN 61000-4-11 IEC 60669-2-1	RFI Emissions Standard Low Frequency Emissions Immunity to ESD Immunity to RFI Immunity to EFT Immunity to Surge Voltages Immunity to Voltage Dips and Interruptions Particular Requirements for Electronic Switches – EMC clause
73/23/EEC	Low Voltage Directive	IEC 60669-2-1 IEC 61558-1 IEC 61558-2-17	Particular Requirements for Electronic Switches – Safety clause Transformer Safety Standard Transformer Safety Standard

Australian/New Zealand EMC & Electrical Safety Frameworks and Standards

Models L5504RVF Series comply with the following:



Regulations	Standard	Title
EMC (C-Tick)	AS1044 AS/NZS 61000-3-2	RFI Emissions Standard RFI Emissions Standard
Electrical Safety	AS/NZS 3100 AS/NZS 3108; IEC 742	General Requirements for Electrical Equipment Requirements for Safety Extra Low Voltage

U.S. and Canadian Product Safety Standards and U.S. FCC Regulations

Models LE5504TRVFC Series comply with the following:



Standards/Regulations	Title
CSA C22.2 No. 14 UL508	Industrial Control Equipment Industrial Control Equipment
Tested to FCC Standards for Home or Office Use	FCC Part 15 ANSI C63.4

Supplemental Information

This device complies with part 15 of the FCC Rules. Operation is subject to the following two conditions: (1) this device may not cause harmful interference, and (2) this device must accept any interference received, including interference that may cause undesirable operation.

Class B Product

Note:

This equipment has been tested and found to comply with the limits for a Class B digital device, pursuant to Part 15 of the FCC Rules. These limits are designed to provide reasonable protection against harmful interference in a residential installation. This equipment generates, uses and can radiate radio frequency energy and, if not installed and used in accordance with the instructions, may cause harmful interference to radio communications. However, there is no guarantee that interference will not occur in a particular installation. If this equipment does cause harmful interference to radio or television reception, which can be determined by turning the equipment off and on, the user is encouraged to try to correct the interference by one or more of the following measures:

- Reorient or relocate the receiving antenna.
- Increase the separation between the equipment and receiver.
- Connect the equipment into an outlet on a circuit different from that to which the receiver is connected.
- Consult the dealer or an experienced radio/TV technician for help.

Warning: Any changes or modifications not expressly approved by Clipsal Australia could void the user's authority to operate this equipment.

18.0 Programming Requirements

The L5504RVFC Series C-Bus 4-Channel Voltage Free Changeover Relay must be programmed to set a unique identification (unit address) and mode of operation on the C-Bus network. C-Bus Installation Software v2.2.0 (or higher) can be used to configure the:

- project name
- part name
- unit address
- clock (enable/disable)
- network burden (enable/disable)
- relay switching relationships
- other advanced operating parameters (e.g. logic relationships, turn-on thresholds, power fail options etc).

The C-Bus Installation Software can be downloaded from the Clipsal Integrated Systems website (www.clipsal.com/cis).

For further information about programming this and other C-Bus units, please refer to the C-Bus Toolkit help.

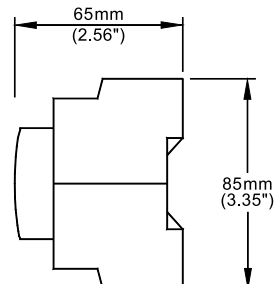
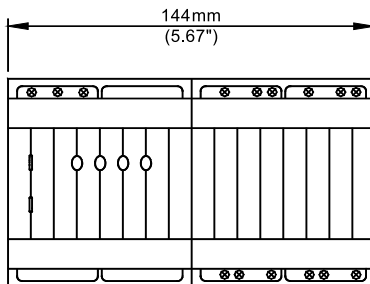
- The L5504RVFC Series Changeover Relay products can also be programmed using C-Bus2 Learn Mode. For further information about Learn Mode, please consult the C-Bus2 Learn Mode Operations and Programming Guide.

Important Warning

The use of any non-approved software in conjunction with the hardware installation without the written consent of Clipsal Australia may void any warranties applicable to the hardware.

19.0 Mechanical Specifications

No user serviceable parts inside.



20.0 Electrical Specifications

Catalogue No.	L5504RVFC	L5504RVFCP	LE5504TRVFC	LE5504TRVFCP
Nominal Supply Voltage	220-240V~		110-120V~	
Frequency Range(s)	47-53Hz and 57-63Hz			
C-Bus Supply Voltage	15-36V d.c. @ 18mA required for programming when mains is not connected. Sources 200mA to the C-Bus network with mains connected.	15-36V d.c. @ 18mA required for programming when mains power is not connected. 15-36V d.c. @ 0mA required for programming when mains power is connected. Does not source current to the C-Bus network.	15-36V d.c. @ 18mA required for programming when mains is not connected. Sources 200mA to the C-Bus network with mains connected.	15-36V d.c. @ 18mA required for programming when mains power is not connected. 15-36V d.c. @ 0mA required for programming when mains power is connected. Does not source current to the C-Bus network.
a.c. Input Impedance	50k Ω @1kHzA maximum of 10 units may be connected on a single C-Bus network.	100k Ω @1kHzA maximum of 100 units may be connected on a single C-Bus network.	50k Ω @1kHzA maximum of 10 units may be connected on a single C-Bus network.	100k Ω @1kHzA maximum of 100 units may be connected on a single C-Bus network.
Electrical Isolation	3.75kV RMS from C-Bus to mains			
Status Indicators	C-Bus Indicator Voltage \geq 20V d.c. Voltage < 20V d.c. Voltage < 15V d.c. Unit Status Indicator On Flashing Off Load Indicators (4) Load indicator is ON when relay output is on.	Clock Present On Flashing Off Mains Power Present Present Fail	No Clock Present Off Off Off Conditions Normal operations At least one channel in Local or Remote Override mode Mains power not available	
Maximum Number of Units on a Single C-Bus Network	10	100	10	100
Load Rating	Resistive 5A Inductive 5A Fluorescent 1A Incandescent 5A Motor 2A			
Switch Operations	Greater than 60,000 operations at rated load (see above for rated load types)			
Contact Type	Changeover, Non-latching			
Quiescent Power	10 Watts			
Warm-up Time	5 seconds			
Restart Delay	0 seconds to 42 minutes and 30 seconds			
Network Clock	Software selectable (factory default is disabled)			
Network Burden	Software selectable			
Dimensions (H x W x D)	144 x 85 x 65mm (5.67 x 3.35 x 2.56 inches)			
Remote Override	Remote switch input can be daisy chained to a maximum of 10 units and a maximum of 1000m of cable.	Remote switch input can be daisy chained to a maximum of 100 units and a maximum of 1000m of cable.	Remote switch input can be daisy chained to a maximum of 10 units and a maximum of 1000m of cable.	Remote switch input can be daisy chained to a maximum of 100 units and a maximum of 1000m of cable.
Mains Terminals	Accommodates 2 x 1.5mm ² or 1 x 2.5mm ² (2 x 16 AWG or 1 x 13 AWG)			
Weight	L5504RVFC/LE5504TRVFC: 370g (13 oz), L5504RVFCP/LE5504TRVFCP: 490g (17 oz)			
C-Bus Connections	2 x RJ45 sockets			
Operating Temperature Range	0-45 °C (32 °F – 113 °F)			
Operating Humidity Range	10 – 95% RH			

21.0 Warranty Statement

The benefits conferred herein are in addition to, and in no way shall be deemed to derogate; either expressly or by implication, any or all other rights and remedies in respect to the Schneider Electric product, which the consumer has in the location where the product is sold.

The warrantor is Schneider Electric with offices worldwide.

This Schneider Electric product is guaranteed against faulty workmanship and materials for a period of two (2) years from the date of installation.

Schneider Electric reserves the right, at its discretion, to either repair free of parts and labour charges, replace or offer refund in respect to any article found to be faulty due to materials, parts or workmanship.

This warranty is expressly subject to the Schneider Electric product being installed, wired, tested, operated and used in accordance with the manufacturer's instructions. Any alterations or modifications made to the product without permission of Schneider Electric might void the warranty.

Schneider Electric shall meet all costs of a claim. However, should the product that is the subject of the claim be found to be in good working order, all such costs shall be met by the claimant.

When making a claim, the consumer shall forward the Schneider Electric product to the nearest Schneider Electric office. Provide adequate particulars of the defect within 28 days of the fault occurring. The product should be returned securely packed, complete with details of the date and place of purchase, description of load, and circumstances of malfunction.

Further Information

For further information about configuring this product and other C-Bus devices, please consult the documentation supplied. Further assistance can be obtained as follows:

- **C-Bus Manuals**

The L5504RVFC C-Bus Technical Manual provides a comprehensive and definitive guide to Clipsal C-Bus. Includes hardware and software specifications, product data sheets, system design and installation guides, and software overview with fully worked programming examples.

- **C-Bus Installation Software**

The L5504RVFC C-Bus Installation Software (includes L5504RVFC C-Bus Technical Manual) may be used to unlock the power and flexibility of Clipsal C-Bus. Unit operation may be completely customised to suit user requirements. Advanced control functions may be programmed.

- **C-Bus Installer Training Courses**

Contact your nearest Clipsal Integrated Systems Sales or Technical Support Officer and enquire about Clipsal C-Bus Installer Training and Certification Programs today.

- **Technical Support and Troubleshooting**

For further assistance, please consult your nearest Clipsal Sales Representative or Technical Support Officer.

Technical Support Hotline:	1300 722 247 (Australia only)
Technical Support Email	techsupport.cis@clipsal.com.au
Sales Support Email	sales.cis@clipsal.com.au
Clipsal Integrated Systems Website	clipsal.com/cis

Clipsal Australia Pty Ltd

A member of Schneider Electric

Contact us: clipsal.com/feedback

National Customer Care Enquiries:

Tel 1300 2025 25

Fax 1300 2025 56

clipsal.com

Clipsal Australia Pty Ltd reserves the right to change specifications, modify designs and discontinue items without incurring obligation and whilst every effort is made to ensure that descriptions, specifications and other information in this catalogue are correct, no warranty is given in respect thereof and the company shall not be liable for any error therein.

© Clipsal Australia Pty Ltd. The identified trademarks and copyrights are the property of Clipsal Australia Pty Ltd unless otherwise noted.