

Residual Current Devices, Combination Residual Current Devices and Miniature Circuit Breakers

RCD, RCBM, 4RC, and 4RCBM Series

Installation Instructions

Warranty

Refer to Clipsal's Trade Product Guide for standard Terms and Conditions.

Remember to test regularly. RCDs should be tested monthly by operating their in built button.

**Schneider Electric
(Australia) Pty Ltd**

clipsal.com

**Contact us:
clipsal.com/feedback**

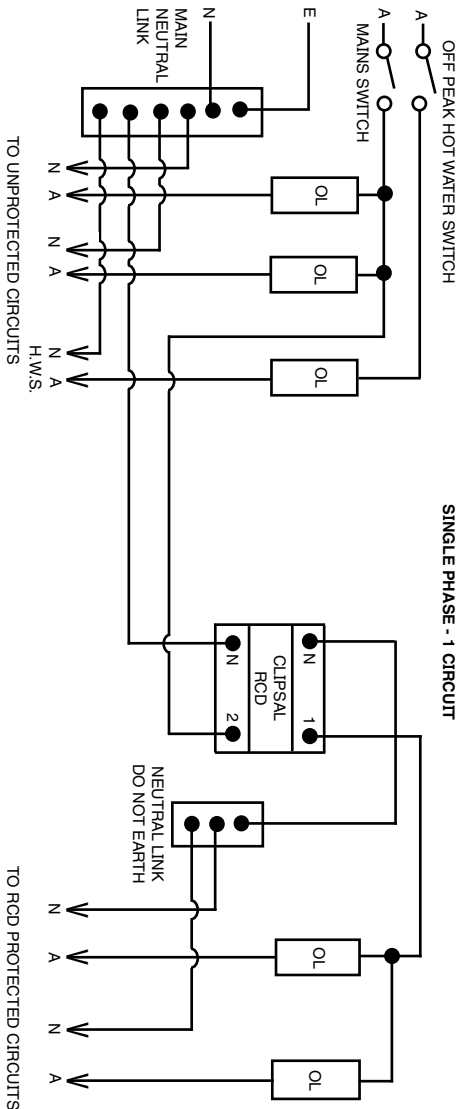
discontinue items without incurring obligation and whilst every effort is made to ensure that descriptions, specifications and other information in this catalogue are correct, no warranty is given in respect thereof and the company shall not be liable for any error therein.

**National Customer
Care Enquiries:
Tel 1300 2025 25
Fax 1300 2025 56**

© Schneider Electric (Australia) Pty Ltd. The identified trademarks and copyrights are the property of Schneider Electric (Australia) Pty Ltd unless otherwise noted.

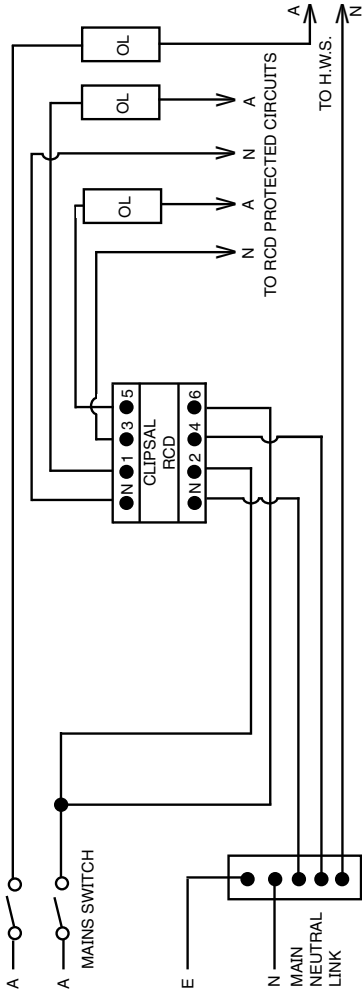
Schneider Electric (Australia) Pty Ltd reserves the right to change specifications, modify designs and

CLIPSAI RC and 4RC SERIES RESIDUAL CURRENT DEVICE WIRING DIAGRAMS



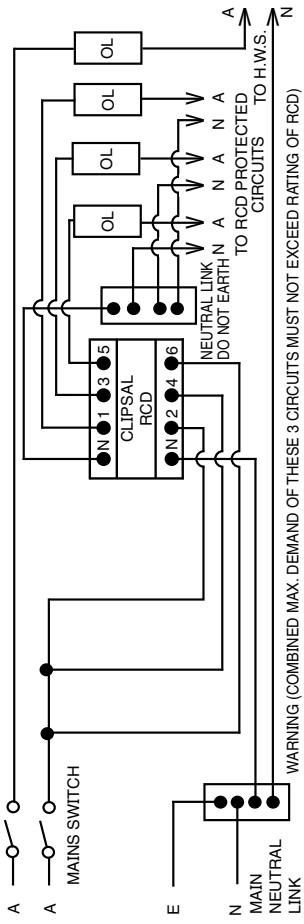
OFF PEAK HOT WATER SWITCH

SINGLE PHASE - 2 CIRCUIT



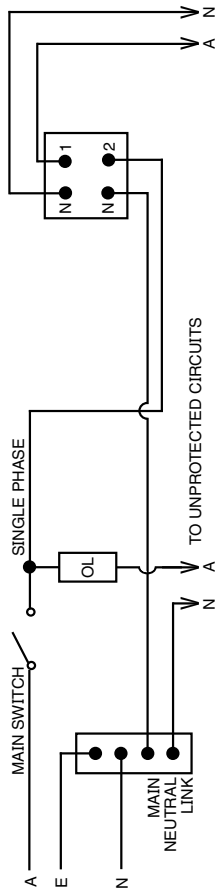
OFF PEAK HOT WATER SWITCH

SINGLE PHASE - 3 CIRCUIT



WARNING (COMBINED MAX. DEMAND OF THESE 3 CIRCUITS MUST NOT EXCEED RATING OF RCD)

CLIPSAL RCBM, 4RCBM AND 4RCBE SERIES COMBINED MCB/RCD WIRING DIAGRAM



NOTE: FOR BALANCED 2 AND 3Ø CIRCUITS NO NEUTRAL IS REQUIRED TO RCD PROTECTED CIRCUIT