

Applications

Beam Clamps are designed to provide a fast easy attachment to overhead structures. They alleviate the need for drilling and welding as well as being completely adjustable.

Finishes

Standard finishes as shown. It should be noted that Mechanically Galvanised cone pointed screws will be supplied with all Hot Dipped Galvanised beam clamps.

Design Bolt Torque

Refer to Engineering Data.

Metal Framing - Beam Clamps

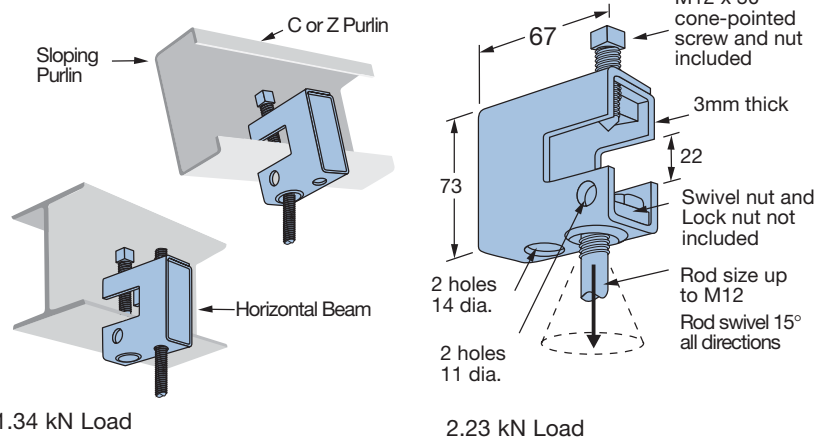
P2676

Beam Attachment Applications:

Clamp P2676 provides a means of rod suspension, either fixed, or where a free swing of up to 15° is required. Clamp will accommodate M10 or M12 rods. Clamp may also be used with P2683 as illustrated in application drawings.

Standard Finishes: Z.P. & H.D.G.

Mass: 33kg/100

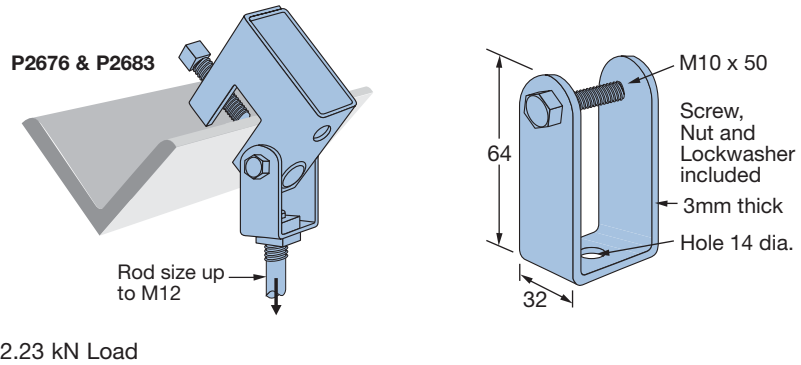


P2683

P2683 clevis hanger to be used with P2676 to provide angle adjustment for up to M12 rod suspension.

Standard Finish: Z.P.

Mass: 15kg/100

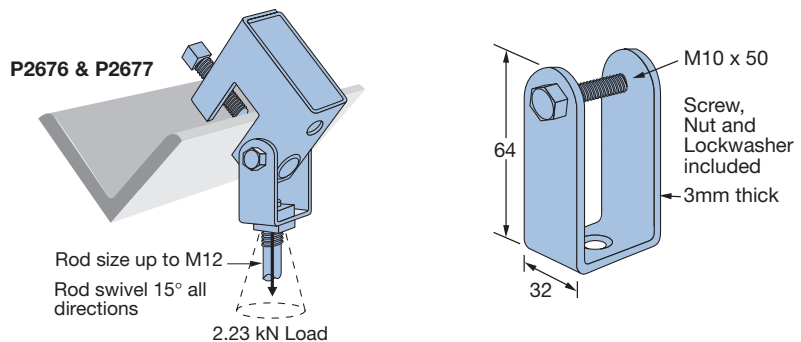


P2677

P2677 clevis hanger to be used with P2676 to provide angle adjustment and 15° free swing for up to M12 rod suspension. Order P2679 series swivel nuts as required.

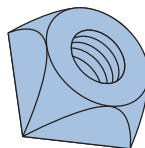
Standard Finish: Z.P.

Mass: 15kg/100



P2679 - Swivel Nut

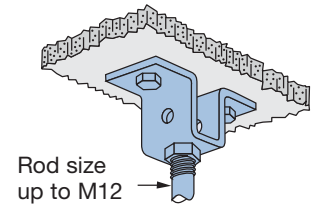
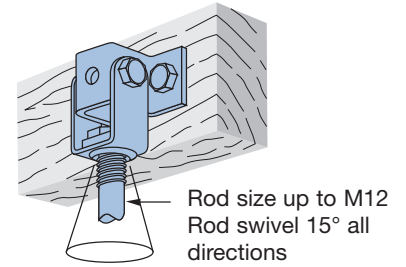
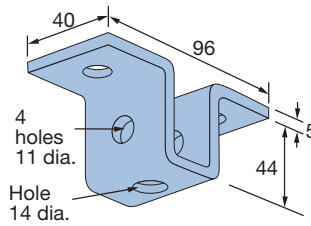
Part No.	Size	Mass kg/100
P267910	M10	1.7
P267912	M12	1.5



Note: Swivel nuts are used with P2676 and P2677. Order size as required.

P2682

Hanger clevis for up to M12 rod suspension. Suitable for wood ceilings. May also be used with P2677 or P2683 as illustrated in application drawings.
Standard Finish: Z.P.
Mass: 23kg/100

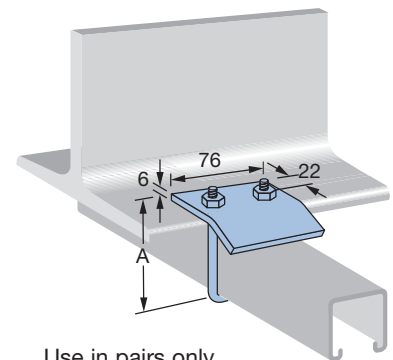


P2785 & P2786

P2785 accepts following channels:
P1000, P2000, P3300, P4000
A = 86 Mass: 38kg/100

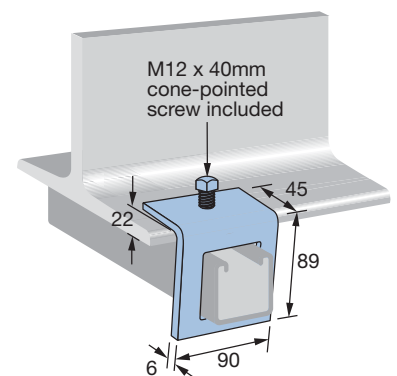
P2786 accepts following channels:
P1001, P2001, P5500
A = 127 Mass: 41kg/100

Design Load Per Pair: 8.82kN
Finishes: Z.P. & H.D.G.



P1796

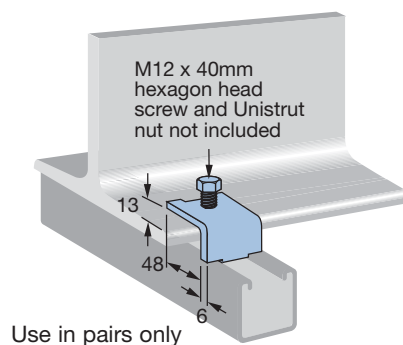
Suits P1000 & P2000
Design Load Per Pair: 4.32kN
Finishes: Z.P. & H.D.G.
Mass: 49kg/100



Metal Framing - Beam Clamps

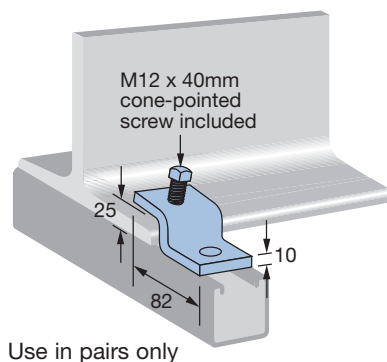
P1386

Design Load Per Pair:
P1000 - 5.30kN
P2000 - 3.92kN
Finishes: Hot Dipped Galvanised
Mass: 12kg/100



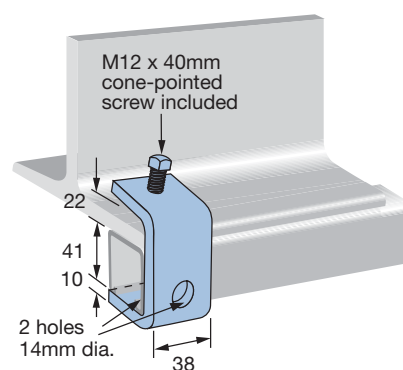
P1379

Design Load Per Pair:
P1000 - 5.34kN
P2000 - 3.92kN
Finishes: Z.P. & H.D.G.
Mass: 34kg/100



P1271

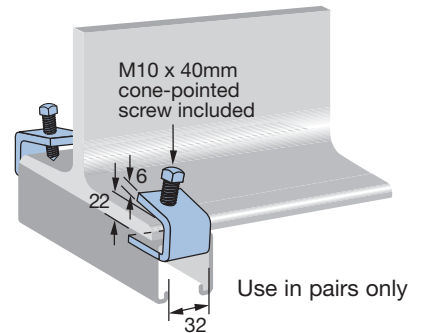
Design Load Per Pair: 4.50kN
Finishes: H.D.G.
Mass: 43kg/100



Metal Framing - Beam Clamps

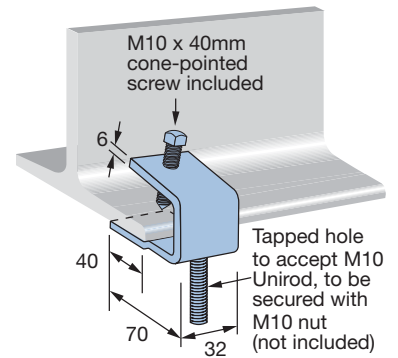
P1272

Design Load Per Pair: 3.92kN
 Finishes: ZP & H.D.G.
 Mass: 18kg/100

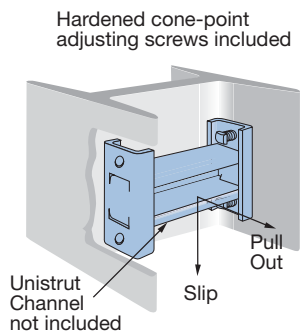


P1270

Design Load: 0.38kN
 Finishes: Z.P. & H.D.G.
 Mass: 29kg/100



P3087



Channel Type	Design Pullout Load kN	Design Slip Load kN
P1000	4.41	3.53
P2000	2.11	1.32

Safety Factor: 3
 Standard Finishes: Z.P. & H.D.G.
 Mass: 45kg/100

