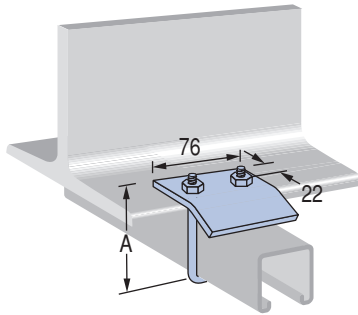


# UNISTRUT® BEAM CLAMPS

## P2785 & P2786



**P2785 accepts following channels:**  
P1000®, P2000, P3300, P4000  
**A = 86 Mass: 38kg/100**  
For use with beams up to 19mm

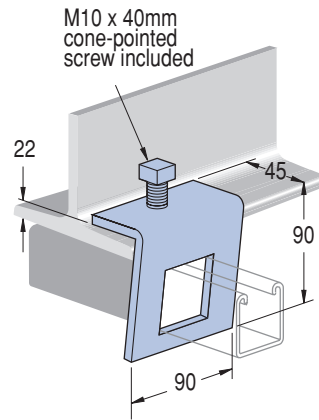
**P2786 accepts following channels:**  
P1001, P2001, P5500  
**A = 127 Mass: 41kg/100**  
For use with beams up to 19mm

**Design Load each:**  
4.45kN

**Standard Finishes:**  
H.G

Use in pairs only

## P1796



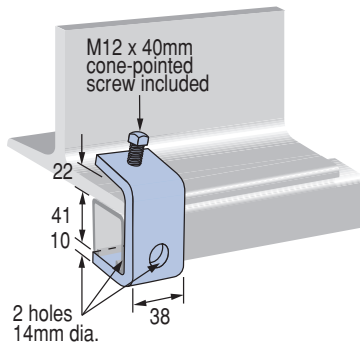
**Mass:** 49kg/100  
Suits P1000® & P2000

**Design Load each:**  
2.22kN

**Standard Finishes:**  
H.G

Use in pairs only

## P1271



**Mass:** 43kg/100

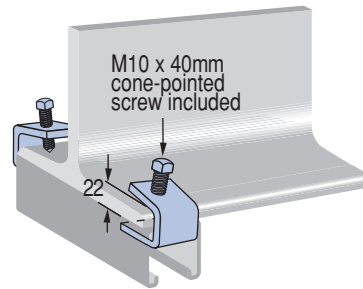
**Design Load each:**  
2.22kN

**Standard Finishes:**  
H.G

Requires P1010 Channel nut & bolt

Use in pairs only

## P1272



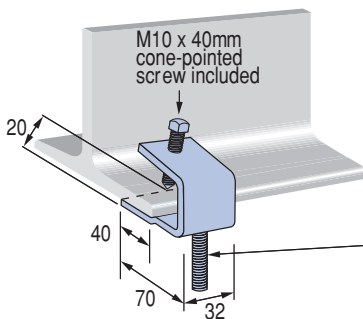
**Mass:** 18kg/100

**Design Load Per Pair:**  
2.00kN

**Standard Finishes:**  
H.G

Use in pairs only

## P1270



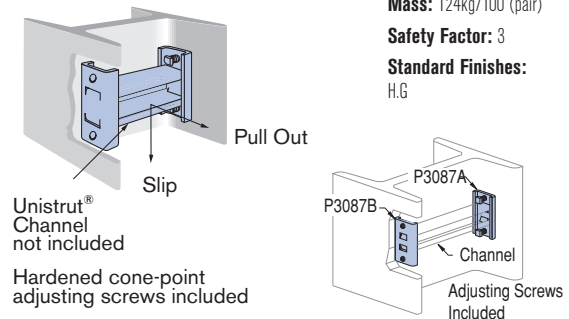
**Mass:** 29kg/100

**Design Load each:**  
0.38kN

**Standard Finishes:**  
H.G

Tapped hole to accept M10 Unirod, to be secured with M10 nut (not included)

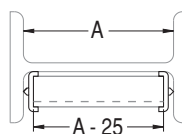
## P3087



**Mass:** 124kg/100 (pair)

**Safety Factor:** 3

**Standard Finishes:**  
H.G



Channel Type	Design Pullout Load kN	Design Slip Load kN
P1000	4.45	3.56
P2000	2.22	1.33