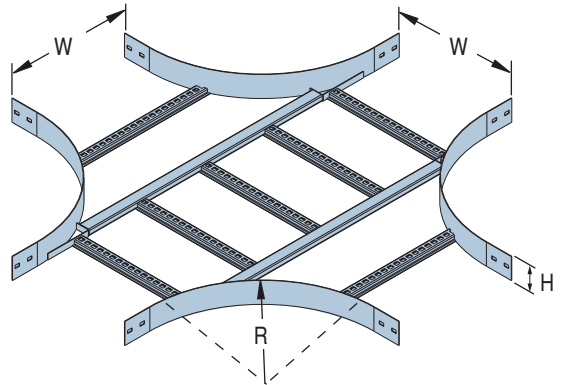


# NEMA STEEL CABLE LADDER – CROSSES, BENDS & TEES

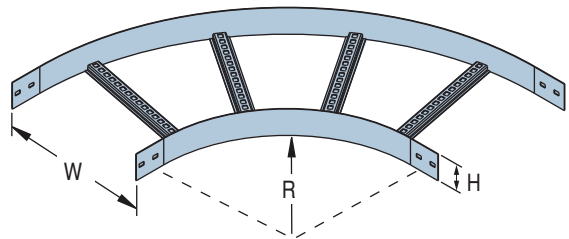
## Cross [HG]

Type	Radius "R"	Width "W"	Height "H"	Part No.
12B	300	150	60	LEE181
12B	300	300	60	LEE183
12B	300	450	60	LEE184
12B	300	600	60	LEE186
16A	450	150	84	LEG181
16A	450	300	84	LEG183
16A	450	450	84	LEG184
16A	450	600	84	LEG186
20B	600	150	119	LEK181
20B	600	300	119	LEK183
20B	600	450	119	LEK184
20B	600	600	119	LEK186
20C	600	150	135	LEL181
20C	600	300	135	LEL183
20C	600	450	135	LEL184
20C	600	600	135	LEL186



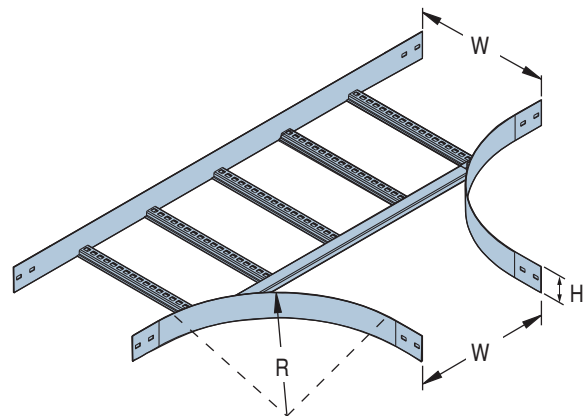
## Flat Bend 90° [HG]

Type	Radius "R"	Width "W"	Height "H"	Part No.
12B	300	150	60	LEE111
12B	300	300	60	LEE113
12B	300	450	60	LEE114
12B	300	600	60	LEE116
16A	450	150	84	LEG111
16A	450	300	84	LEG113
16A	450	450	84	LEG114
16A	450	600	84	LEG116
20B	600	150	119	LEK111
20B	600	300	119	LEK113
20B	600	450	119	LEK114
20B	600	600	119	LEK116
20C	600	150	135	LEL111
20C	600	300	135	LEL113
20C	600	450	135	LEL114
20C	600	600	135	LEL116



## Tee [HG]

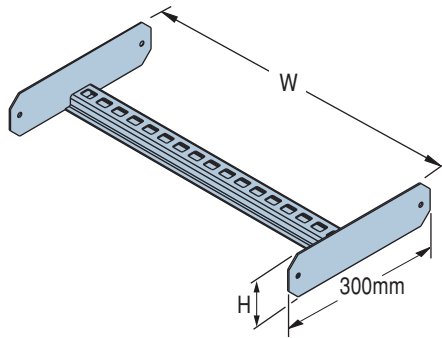
Type	Radius "R"	Width "W"	Height "H"	Part No.
12B	300	150	60	LEE191
12B	300	300	60	LEE193
12B	300	450	60	LEE194
12B	300	600	60	LEE196
16A	450	150	84	LEG191
16A	450	300	84	LEG193
16A	450	450	84	LEG194
16A	450	600	84	LEG196
20B	600	150	119	LEK191
20B	600	300	119	LEK193
20B	600	450	119	LEK194
20B	600	600	119	LEK196
20C	600	150	135	LEL191
20C	600	300	135	LEL193
20C	600	450	135	LEL194
20C	600	600	135	LEL196



• Fixing Hardware for all cable ladder systems must be ordered separately.

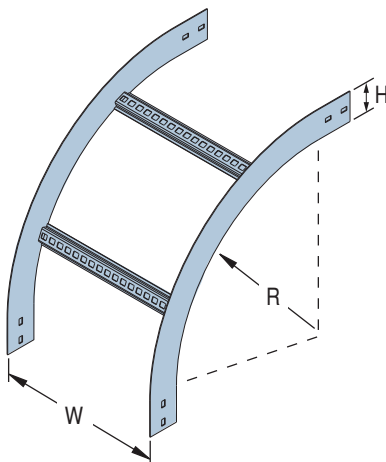
# NEMA STEEL CABLE LADDER – RISERS

## Adjustable Riser [HG]



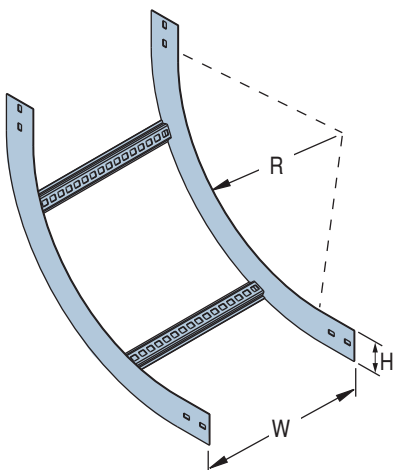
Type	Width "W"	Height "H"	Part No.
12B	150	60	LEE141
12B	300	60	LEE143
12B	450	60	LEE144
12B	600	60	LEE146
16A	150	84	LEG141
16A	300	84	LEG143
16A	450	84	LEG144
16A	600	84	LEG146
20B	150	119	LEK141
20B	300	119	LEK143
20B	450	119	LEK144
20B	600	119	LEK146
20C	150	135	LEL141
20C	300	135	LEL143
20C	450	135	LEL144
20C	600	135	LEL146

## External Riser - 90° [HG]



Type	Radius "R"	Width "W"	Height "H"	Part No.
12B	300	150	60	LEE131
12B	300	300	60	LEE133
12B	300	450	60	LEE134
12B	300	600	60	LEE136
16A	450	150	84	LEG131
16A	450	300	84	LEG133
16A	450	450	84	LEG134
16A	450	600	84	LEG136
20B	600	150	119	LEK131
20B	600	300	119	LEK133
20B	600	450	119	LEK134
20B	600	600	119	LEK136
20C	600	150	135	LEL131
20C	600	300	135	LEL133
20C	600	450	135	LEL134
20C	600	600	135	LEL136

## Internal Riser - 90° [HG]

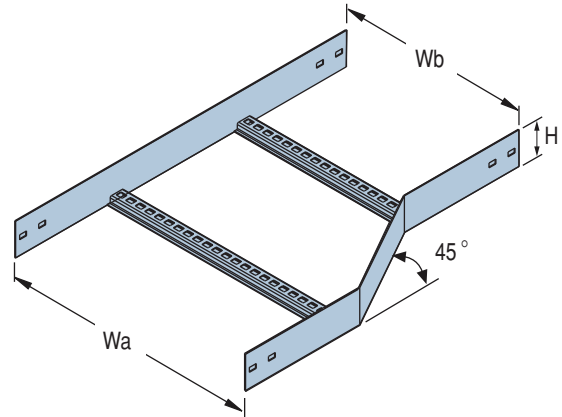


Type	Radius "R"	Width "W"	Height "H"	Part No.
12B	300	150	60	LEE121
12B	300	300	60	LEE123
12B	300	450	60	LEE124
12B	300	600	60	LEE126
16A	450	150	84	LEG121
16A	450	300	84	LEG123
16A	450	450	84	LEG124
16A	450	600	84	LEG126
20B	600	150	119	LEK121
20B	600	300	119	LEK123
20B	600	450	119	LEK124
20B	600	600	119	LEK126
20C	600	150	135	LEL121
20C	600	300	135	LEL123
20C	600	450	135	LEL124
20C	600	600	135	LEL126

• Fixing Hardware for all cable ladder systems must be ordered separately.

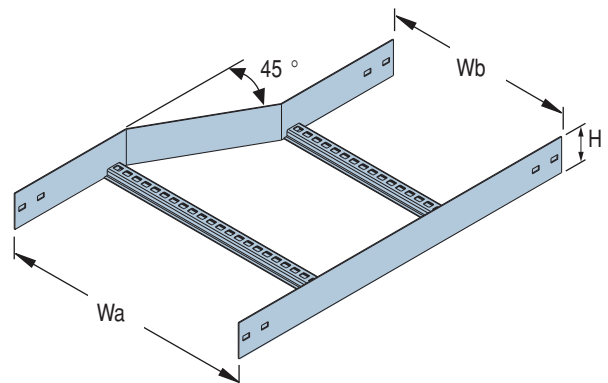
**Offset Reducer, Left Hand [HG]**

Type	Width "Wa"	Width "Wb"	Height "H"	Part No.
12B	600	450	60	LEE1764
12B	600	300	60	LEE1763
12B	600	150	60	LEE1761
12B	450	300	60	LEE1743
12B	450	150	60	LEE1741
12B	300	150	60	LEE1731
16A	600	450	84	LEG1764
16A	600	300	84	LEG1763
16A	600	150	84	LEG1761
16A	450	300	84	LEG1743
16A	450	150	84	LEG1741
16A	300	150	84	LEG1731
20B	600	450	119	LEK1764
20B	600	300	119	LEK1763
20B	600	150	119	LEK1761
20B	450	300	119	LEK1743
20B	450	150	119	LEK1741
20B	300	150	119	LEK1731
20C	600	450	135	LEL1764
20C	600	300	135	LEL1763
20C	600	150	135	LEL1761
20C	450	300	135	LEL1743
20C	450	150	135	LEL1741
20C	300	150	135	LEL1731



**Offset Reducer, Right Hand [HG]**

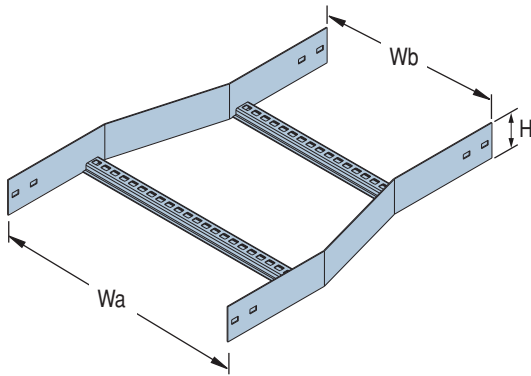
Type	Width "Wa"	Width "Wb"	Height "H"	Part No.
12B	600	450	60	LEE1664
12B	600	300	60	LEE1663
12B	600	150	60	LEE1661
12B	450	300	60	LEE1643
12B	450	150	60	LEE1641
12B	300	150	60	LEE1631
16A	600	450	84	LEG1664
16A	600	300	84	LEG1663
16A	600	150	84	LEG1661
16A	450	300	84	LEG1643
16A	450	150	84	LEG1641
16A	300	150	84	LEG1631
20B	600	450	119	LEK1664
20B	600	300	119	LEK1663
20B	600	150	119	LEK1661
20B	450	300	119	LEK1643
20B	450	150	119	LEK1641
20B	300	150	119	LEK1631
20C	600	450	135	LEL1664
20C	600	300	135	LEL1663
20C	600	150	135	LEL1661
20C	450	300	135	LEL1643
20C	450	150	135	LEL1641
20C	300	150	135	LEL1631



• Fixing Hardware for all cable ladder systems must be ordered separately.

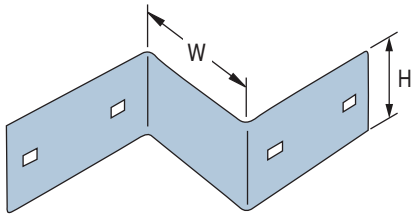
# NEMA STEEL CABLE LADDER REDUCERS

## Straight Reducer [HG]



Type	Width "Wa"	Width "Wb"	Height "H"	Part No.
12B	600	450	60	LEE1564
12B	600	300	60	LEE1563
12B	600	150	60	LEE1561
12B	450	300	60	LEE1543
12B	450	150	60	LEE1541
12B	300	150	60	LEE1531
16A	600	450	84	LEG1564
16A	600	300	84	LEG1563
16A	600	150	84	LEG1561
16A	450	300	84	LEG1543
16A	450	150	84	LEG1541
16A	300	150	84	LEG1531
20B	600	450	119	LEK1564
20B	600	300	119	LEK1563
20B	600	150	119	LEK1561
20B	450	300	119	LEK1543
20B	450	150	119	LEK1541
20B	300	150	119	LEK1531
20C	600	450	135	LEL1564
20C	600	300	135	LEL1563
20C	600	150	135	LEL1561
20C	450	300	135	LEL1543
20C	450	150	135	LEL1541
20C	300	150	135	LEL1531

## Reducer Splice [HG]



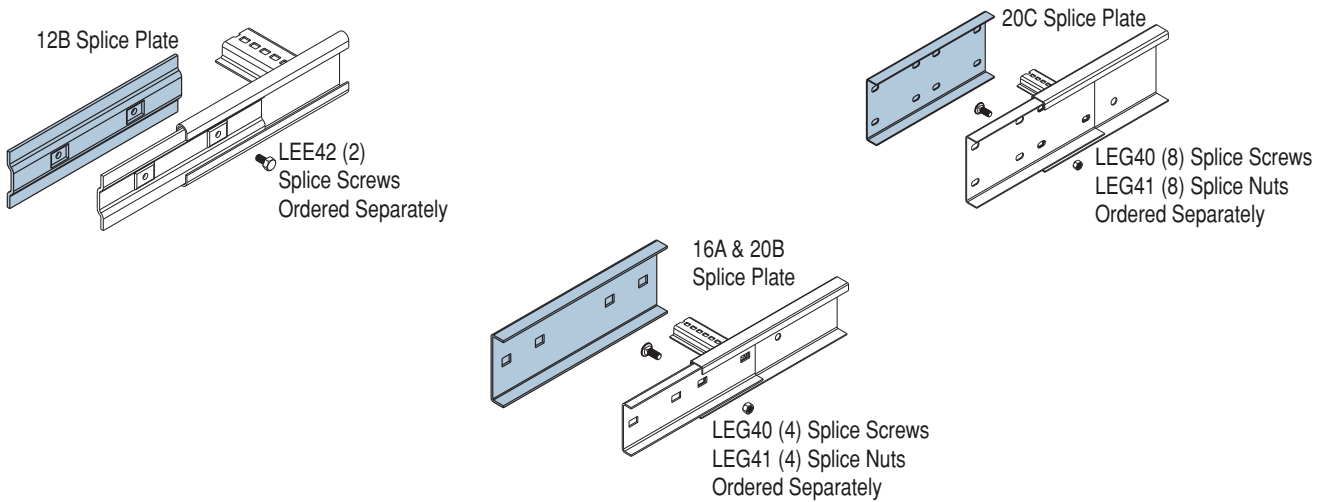
Reduction of ladder width is normally carried out using straight or offset reducers. Reducer Splice Plates are a flexible, cost effective alternative which bolt directly to the ladder side-rails.

Available for all steel cable ladder systems.

Type	Width "W"	Height "H"	Part No.
12B	75	60	LEE380
12B	150	60	LEE381
12B	300	60	LEE383
12B	450	60	LEE384
16A	75	84	LEG380
16A	150	84	LEG381
16A	300	84	LEG383
16A	450	84	LEG384
20B	75	119	LEK380
20B	150	119	LEK381
20B	300	119	LEK383
20B	450	119	LEK384
20C	75	135	LEL380
20C	150	135	LEL381
20C	300	135	LEL383
20C	450	135	LEL384

• Fixing Hardware for all cable ladder systems must be ordered separately.

## Splice Plate [HG]

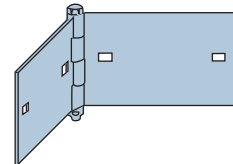
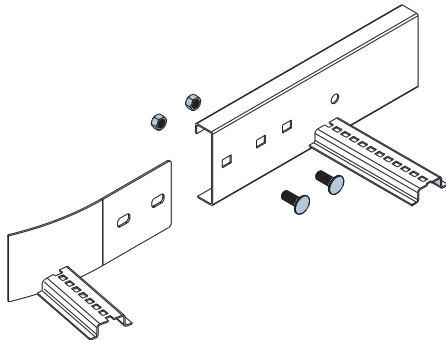


Type	Part No.
12B	LEE30
16A	LEG30
20B	LEK30
20C	LEL30

The neat fitting flanges and bolted configuration of Unistrut splice plates also reduces deflection at joints as the ladder is loaded. Unsightly dips or discontinuities along the ladder run are therefore avoided. Bolt holes in splice plates and ladder side-rails are elongated so that site misalignments as well as thermal expansion and contraction are catered for.

## Fastener Quantities for Accessories

## Hinged Horizontal Splice Plate [HG]



Steel Cable Ladder Accessories			
12B	Splice Screw (HG)	LEE42	4 per Bend, Riser or Reducer 6 per Tee 8 per Cross
16A, 16A-RI, 20B, 20B-RI	Splice Screw (HG) Splice Nut (HG)	LEG40 LEG41	8 per Bend, Riser or Reducer 12 per Tee 16 per Cross
20C, 20C-RI	Splice Screw (HG) Splice Nut (HG)	LEG40 LEG41	16 per Bend, Riser or Reducer 24 per Tee 32 per Cross

Type	Part No.
12B	LEE35
16A	LEG35
20B	LEK35
20C	LEL35

A fast and economical method of changing ladder direction where exact site dimensions must be met. Especially suitable where the angle is less than 45°, or larger angles where the cable bending radius is not important. Also provides a flexible alternative to standard accessory sizes and radii. Suits all Unistrut steel cable ladder systems.

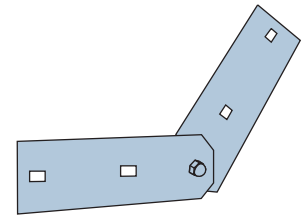
• Fixing Hardware for all cable ladder systems must be ordered separately.

# NEMA STEEL CABLE LADDER ACCESSORIES

## Hinged Vertical Splice Plate [HG]

Ideal for making changes in vertical level or direction. Easily adapts to exact site dimensions which may otherwise be difficult to achieve with fixed risers. Cables form their own bending radius spanning between adjacent end-rungs. Also used to form adjustable risers providing flexibility to adjust to any site restrictions.

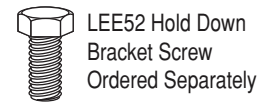
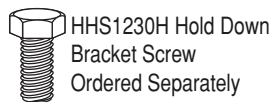
Type	Part No.
12B	LEE36
16A	LEG36
20B	LEK36
20C	LEL36



## Hold Down Brackets [HG]

Hold Down Brackets provide rigid clamping for all steel cable ladder systems. The Brackets can be positioned at any point along the ladder length.

Type	Part No.
12B	LEE50
16A	LEG50
20B	LEG50
20C	LEG50



## Divider Strip [GB/HG]

Used to separate cables of different voltages or circuits. The notched base permits forming to the required shape. Fix at 1m centres.

Type	Part No.	Height "H"
12B	LEE55	37mm
16A	LEM55	70mm
20B	LEM55	70mm
20C	LEM55	70mm

