

NEMA 20B Straight Tray [HG]

Cable Laying Depth: 109mm

Loading Data:

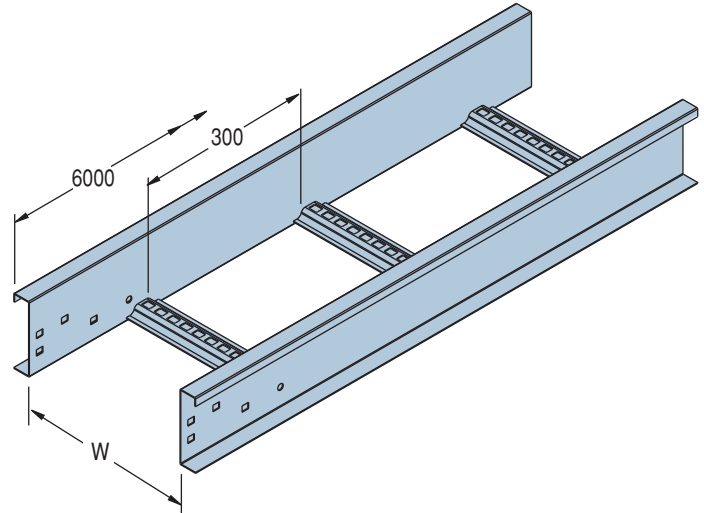
Basic Load Capacity
136kg/lin.m on 6m span

Length: 6m

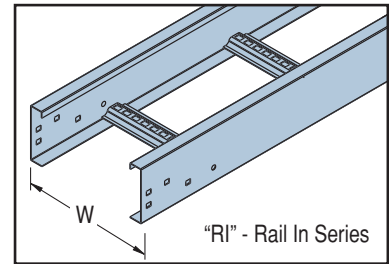
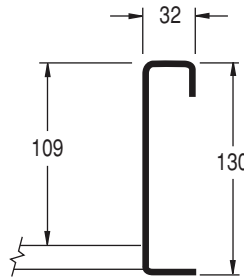
Rung Spacing: 300mm nominal

Standard Finish: Hot Dipped Galvanised

Also available in Stainless Steel Grade 316
(part no. LUK)

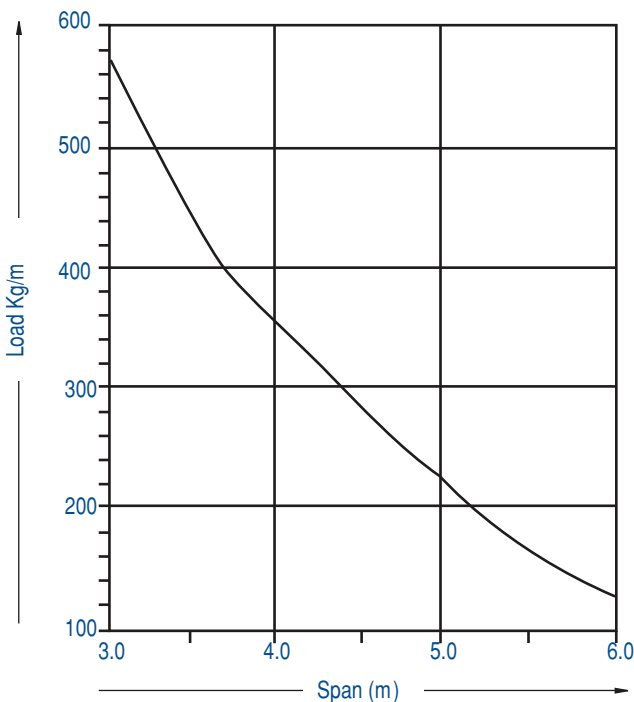


Dim "W"	Type	Part No.
150	20B	LEK101
300	20B	LEK103
450	20B	LEK104
600	20B	LEK106
150	20B-RI	LEK101R
300	20B-RI	LEK103R
450	20B-RI	LEK104R
600	20B-RI	LEK106R

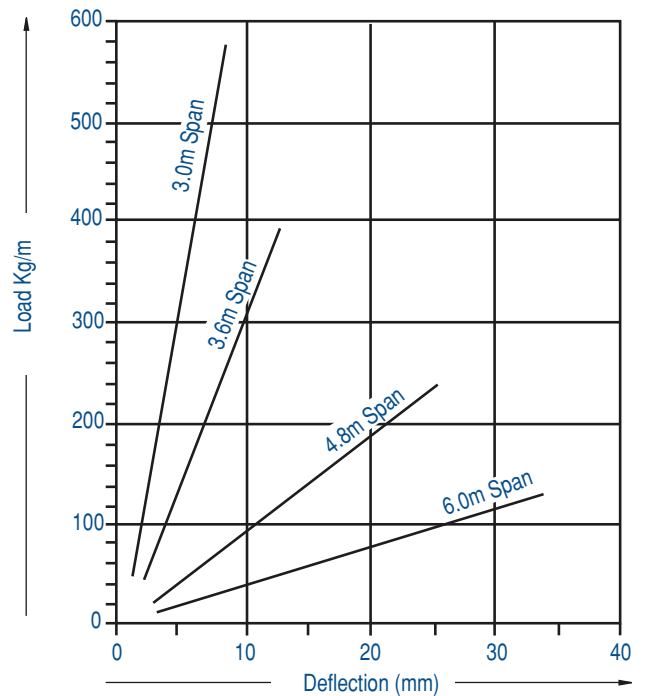


• Splice plate & fixing screws are not included (order separately).

Allowable Load Graph



Deflection Graph



Allowable loads are determined generally in accordance with NEMA Standard VE1 and verified by testing.
Safety Factor = 1.5 on collapse load for single span.

Deflections shown apply to the end-bays (ie. worst case) of a continuous ladder run. To find deflection of a single span, multiply by 2.5.