

3)

GV2 ME●●3

Click!

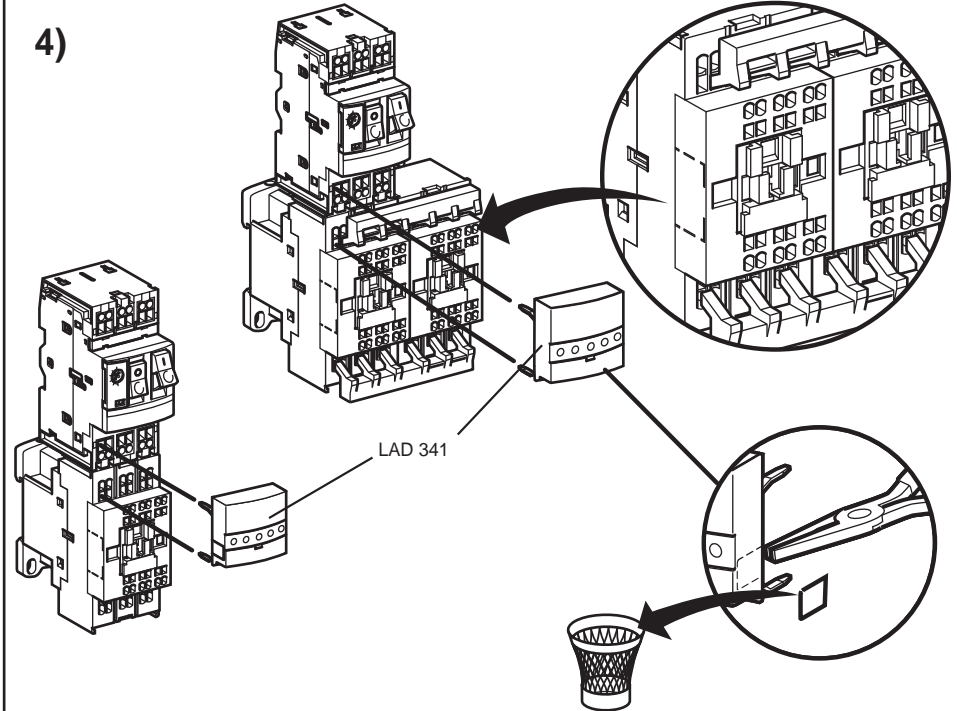
LC2 D●●3
2 x LC1 D●●3

LC1 D●●3

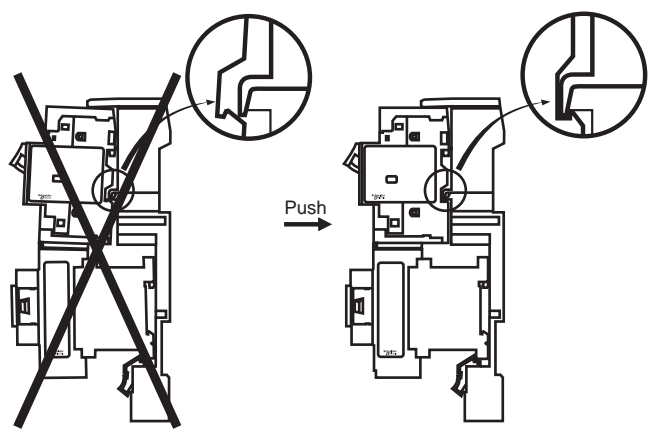
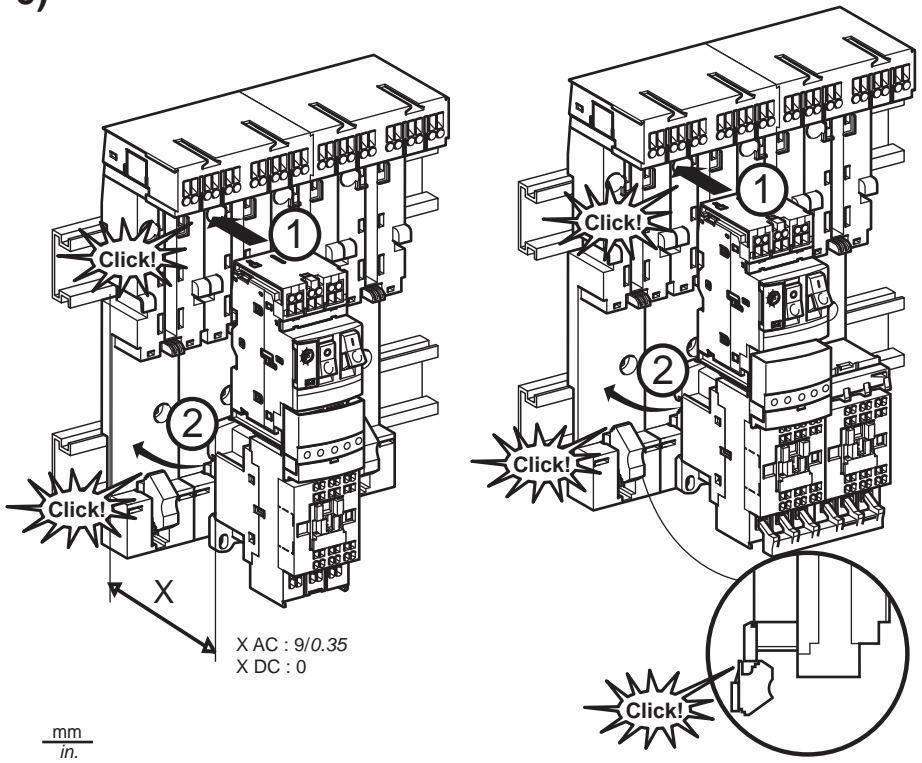
Click!

4)

LAD 341

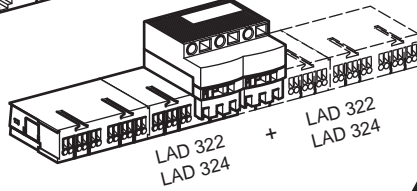
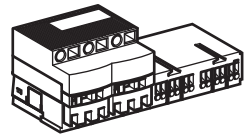
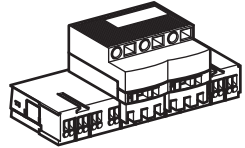
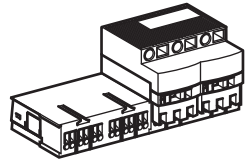
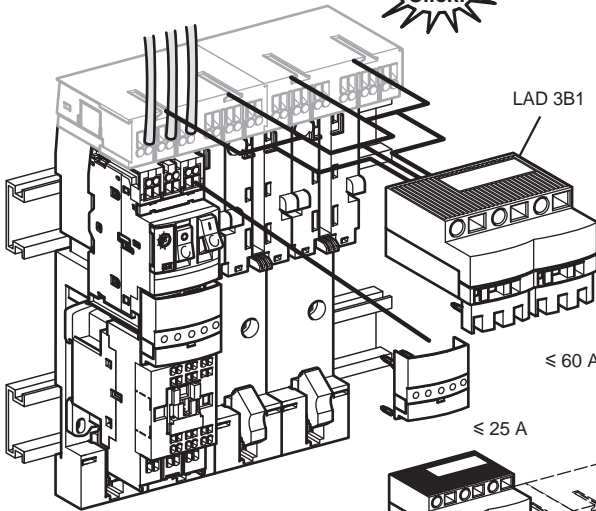


5)

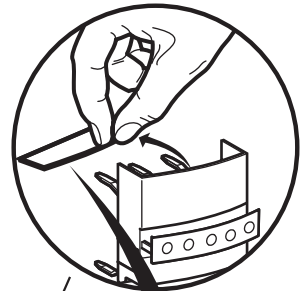
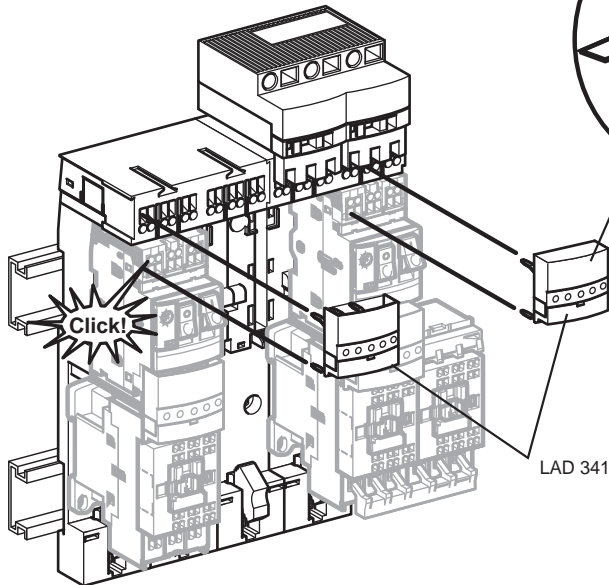


6)

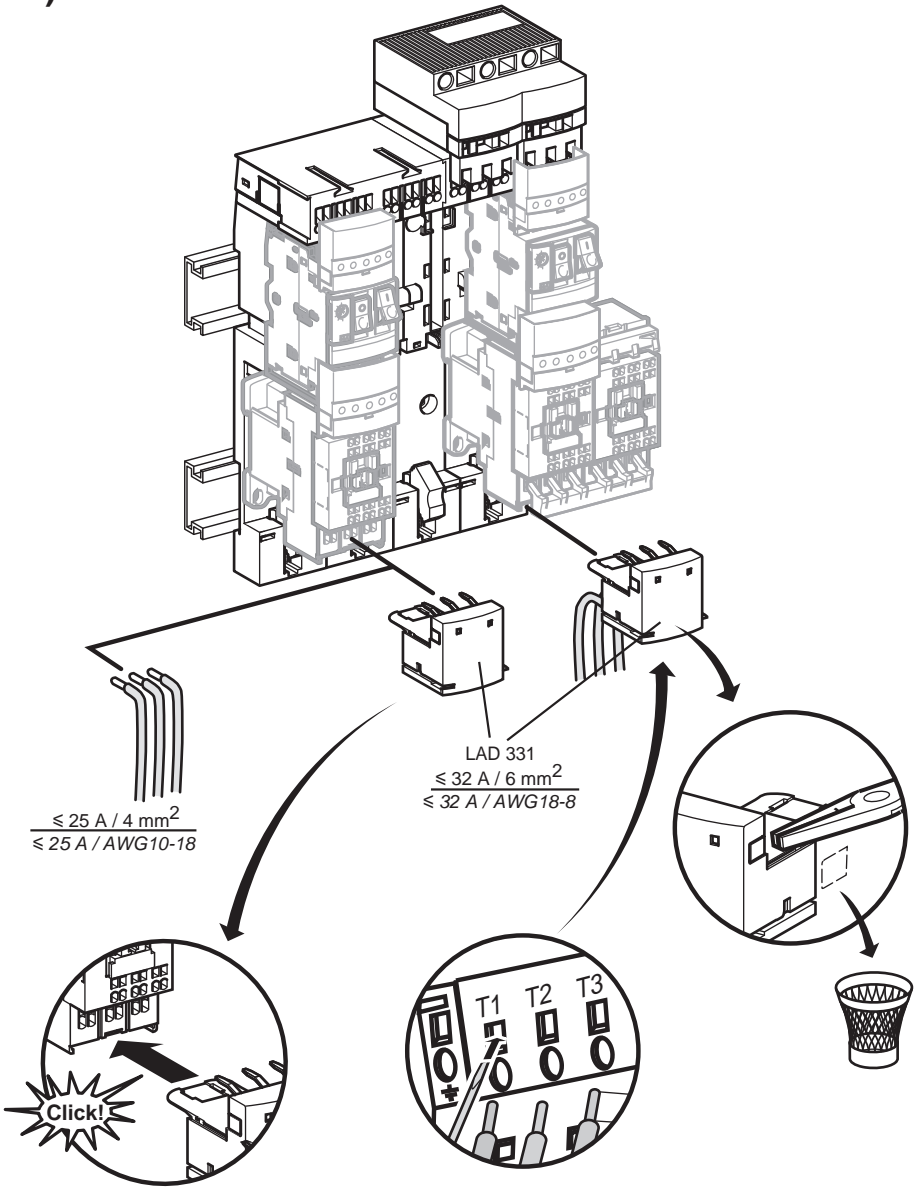
$\leq 25 \text{ A} / 4 \text{ mm}^2$
 $\leq 25 \text{ A} / \text{AWG}10-18$



7)

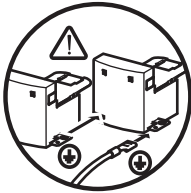
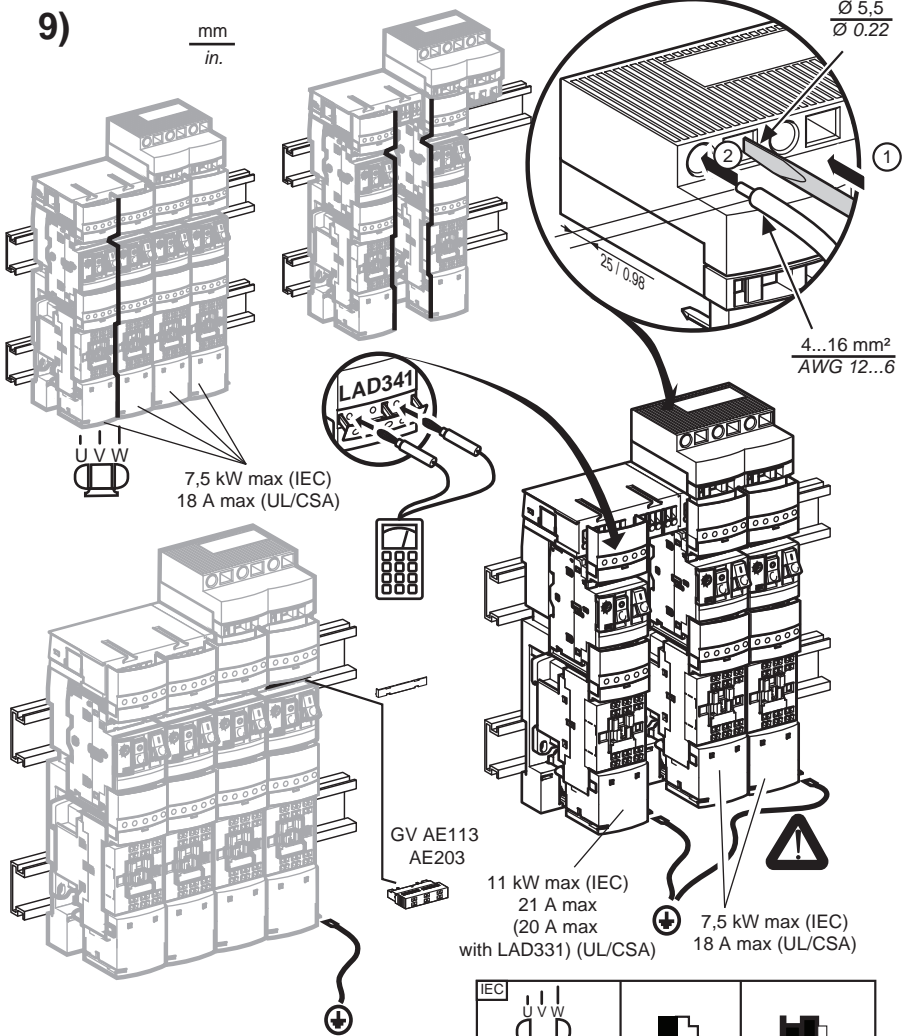


8)



9)

mm
in.



IEC				
 P 400V	KW			HP
	0,37	0.5	GV2ME063	LC1D093●●
	0,55	0.75	GV2ME073	LC1D093●●
	0,75	1	GV2ME073	LC1D093●●
	1,1	1.5	GV2ME083	LC1D093●●
	1,5	2	GV2ME083	LC1D093●●
	2,2	3	GV2ME103	LC1D093●●
	3	4	GV2ME143	LC1D093●●
	4	5.5	GV2ME143	LC1D093●●
	5,5	7.5	GV2ME163	LC1D123●●
	7,5	10	GV2ME203	LC1D183●●
	9	12	GV2ME213	LC1D253●●
	11	15	GV2ME223	LC1D253●●

