



### Main

Range of product	Harmony 9001SK
Product or component type	Head for spring return push-button
Device short name	9001SK
Operator profile	Flush, marking: unmarked
Operator additional information	Set of 7 color caps

### Complementary

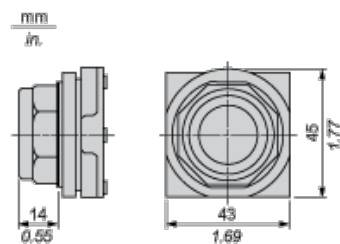
Mounting diameter	30 mm
Shape of signaling unit head	Round
Type of operator	Spring return
Product weight	0.05 kg

### Environment

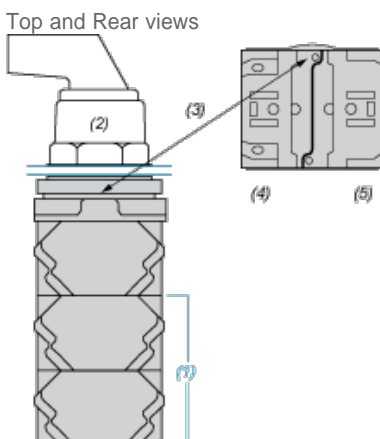
#### Offer Sustainability

Sustainable offer status	785901458135
RoHS (date code: YYWW)	Compliant - since 0921 - Schneider Electric declaration of conformity
REACH	Reference not containing SVHC above the threshold

### Dimensions



### Contact Block Mounting Position



- (1) It is possible to mount up to 3 levels of contacts blocks (maximum of 6 contacts blocks)
- (2) Operator
- (3) Locating notch
- (4) Side 1
- (5) Side 2