



### Main

|                           |  |
|---------------------------|--|
| Range of product          | Harmony 9001K                          |
| Product or component type | Contact block with protected terminals |
| Device short name         | 9001K                                  |

### Complementary

|   |  |
|---|--|
| Terminals description ISO n°1               | (3-4)NO  |
| Product weight                              | 0.023 kg   |
| Contacts type and composition               | 1 NC   |
| Contacts operation                          | Standard   |
| Positive opening                            | With conforming to IEC 60947-5-2   |
| Connections - terminals                     | Screw clamp terminals (1 x 0.22...2 x 1.5 mm <sup>2</sup> ) conforming to IEC 60947-1  |
| Tightening torque                           | 0.8 N.m conforming to IEC 60947-1  |
| Shape of screw head                         | Cross slotted head   |
| Contacts material                           | Silver alloy contacts  |
| Short circuit protection                    | 10 A cartridge fuse conforming to IEC 60947-5-1  |
| [Ith] conventional free air thermal current | 10 A   |
| [Ui] rated insulation voltage               | 250 V (degree of pollution: 3) conforming to IEC 60947-1   |
| [Uimp] rated impulse withstand voltage      | 2.5 kV conforming to IEC 60947-1   |
| [Ie] rated operational current              | 3 A at 240 V AC-15, A600-Q600 conforming to NEMA<br>0.55 A at 125 V DC-13, A600-Q600 conforming to NEMA  |
| [Icm] rated short-circuit making capacity   | <= 12 kA at 600 V AC-15, 7200 VA<br><= 15 kA at 480 V AC-15, 7200 VA<br><= 30 kA at 240 V AC-15, 7200 VA<br><= 60 kA at 120 V AC-15, 7200 VA<br><= 0.27 kA at 250 V DC-13<br><= 0.55 kA at 125 V DC-13<br><= 0.1 kA at 600 V DC-13 |
| Rated breaking capacity                     | <= 3 kA at 240 V AC-15, 720 VA<br><= 6 kA at 120 V AC-15, 720 VA<br><= 0.1 kA at 600 V DC-13<br><= 0.27 kA at 250 V DC-13<br><= 0.55 kA at 125 V DC-13<br><= 1.2 kA at 600 V AC-15, 720 VA<br><= 1.5 kA at 480 V AC-15, 720 VA     |

### Environment

|  |  |
|--|--|
| protective treatment                       | TC   |
| ambient air temperature for storage        | -40...70 °C  |
| ambient air temperature for operation      | -25...70 °C  |
| class of protection against electric shock | Class II conforming to IEC 61140   |
| IP degree of protection                    | IP20 conforming to IEC 60529   |
| standards                                  | EN/IEC 60947-1<br>EN/IEC 60947-5-1<br>EN/IEC 60947-5-4<br>JIS C 4520<br>JIS C 852<br>UL 508<br>CSA C22.2 No 14 |

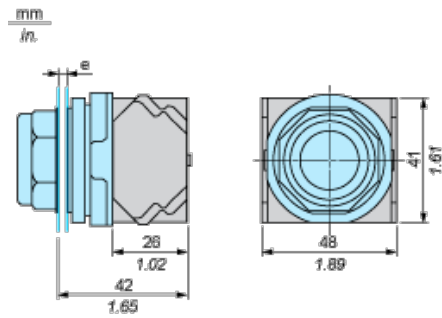
The information provided in this documentation contains general descriptions and/or technical characteristics of the products contained herein. This documentation is not intended as a substitute for and is not to be used for determining suitability or reliability of these products for specific user applications. It is the duty of any such user or integrator to perform the appropriate and complete risk analysis, evaluation and testing of the products with respect to the relevant specific application or use thereof. Neither Schneider Electric Industries SAS nor any of its affiliates or subsidiaries shall be responsible or liable for misuse of the information contained herein.

|                        |   |
|------------------------|---|
| product certifications | NEMA<br>UL 508                                    |
| vibration resistance   | 7 gn (f = 2...500 Hz) conforming to IEC 60068-2-6 |
| shock resistance       | 50 gn conforming to IEC 60068-2-27                |

## Offer Sustainability

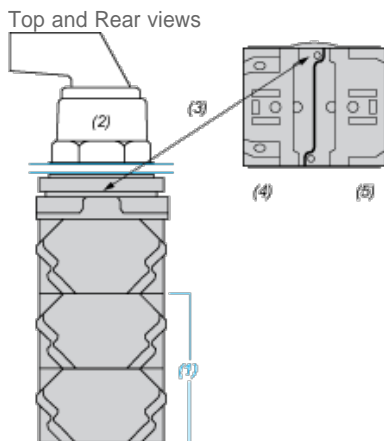
|                          |   |
|--------------------------|---|
| Sustainable offer status | 785901880028  |
| RoHS (date code: YYWW)   | Compliant - since 0921 - Schneider Electric declaration of conformity |
| REACH                    | Reference not containing SVHC above the threshold                     |

## Dimensions



e panel thickness: 1 to 6 mm / 0.04 to 0.24 in.

## Contact Block Mounting Position



- (1) It is possible to mount up to 3 levels of contacts blocks (maximum of 6 contacts blocks)
- (2) Operator
- (3) Locating notch
- (4) Side 1
- (5) Side 2