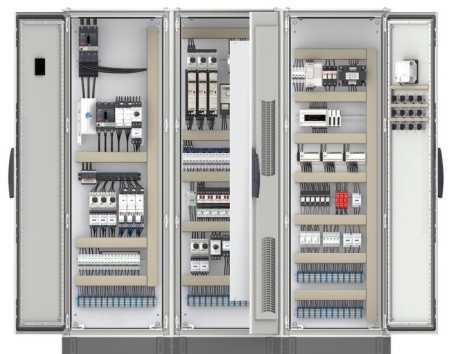




# Schneider Electric

## Panel Builders Catalog

PowerLogic™ series energy  
and power meters catalog for  
Panel Builders



[www.se.com](http://www.se.com)

Life Is On

**Schneider**  
Electric

# Schneider Electric

## PowerLogic™ Energy and power meters catalog for panel builders

### Contents

<b>Introduction</b>	<b>3</b>
<b>Selection guide panorama</b>	<b>4</b>
<b>Current transformers</b>	<b>8</b>
<b>Panel instruments</b> DIN ammeter/voltmeter	<b>25</b>
<b>Basic energy metering</b> iEM2000, iEM3000, PM3000, and PowerTag Energy series	<b>36</b>
<b>Wireless products</b> PowerTag Control and HeatTag	<b>96</b>
<b>Basic multi-function metering</b> PM5000 and PM5350 series	<b>104</b>
<b>EcoStruxure™ Panel Server</b> Entry, Universal and Advanced	<b>125</b>
<b>Commercial reference numbers</b> See your Schneider Electric representative for complete ordering information.	<b>136</b>



[www.se.com](http://www.se.com)

Clicking on a **Commercial Reference Number** or scanning the product's **QR Code** links you to further product information on [www.se.com](http://www.se.com)

## Why Panel Builders Choose Schneider Electric?



Schneider Electric is the global specialist in energy management and as such it has the most complete power motoring product line, going from simple indicators (analog meters) and CTs, to world class accurate energy meters and powerful compact power meters. These proven products come with multiple options to satisfy any requirement.

Schneider Electric products are safe and reliable. We comply with the most stringent standards, including IEC, MID, UL, etc., and we thoroughly test all products with third-party laboratories. This gives our partners the peace of mind and the confidence that they are maintaining a good reputation while delivering the best value in equipment and service to their customers.

Our products are simple to install, configure, and use. This saves our partners time and money and lets them deliver the best solutions in a timely and cost-effective manner.

Whatever the size or type of application, the PowerLogic™ product line is an integral part of smart panels.

# Panorama of the PowerLogic™ range

Use this panorama to select the most efficient products for your application needs

## Current transformers



## Panel instruments



**CTs Ip/5 A**  
current transformer

**Installation**

i. Solid Core CTs

- Insulated Cable, diameter 21 to 35 mm
- busbar through transformer
- cable connections

ii. Split Core CTs

- CT installation without the need to uninstall and reinstall power conductors
- Cable and Busbar connections

Name	iAMP	iVLT	AMP/VLT	iFRE	iCH/iCI
<b>Function</b>	ammeter, voltmeter	ammeter, voltmeter	ammeter, voltmeter	frequency meter	hour counter pulse counter

### Applications

#### Panel instrumentation

Panel instrumentation	I/U	I/U	I/U	F	hours/pulses
-----------------------	-----	-----	-----	---	--------------

#### Energy efficiency & cost

Sub-billing & cost allocation					
Demand & load management					
Billing analysis					

#### Power availability & reliability

Compliance monitoring					
Sag/swell, transient					
Harmonics					

#### Revenue metering

Revenue meter					
---------------	--	--	--	--	--

### Characteristics

i. Solid Core CTs

- transformation ratio : 40/5 A to 6000/5 A
- accuracy : class 0.5 to 3
- maximum rated operational voltage : 720 V AC
- tropicalised range 25 °C to +60 °C<sup>(1)</sup>
- relative humidity > 95 %
- <sup>(1)</sup> Warning: some products are limited to +50 °C.

ii. Split Core CTs

- transformation ratio : 100/5A to 4000/5A
- accuracy : class 0.5 to 3
- maximum rated operational voltage : 720 V AC
- Cable connection : -5°C to +50°C
- relative humidity 5–85 %
- Busbar connection : 5°C to +40°C
- relative humidity 5–85 %

### Characteristics

Measurement accuracy	Class 1.5	± 0.5 % ± 1 digit	Class 1.5	± 0.5 % ± 1 digit	
Installation	DIN rail 4 x 18 mm modules	DIN rail 2 x 18 mm modules	flush mounted 72 x 72 mm 96 x 96 mm	DIN rail 2 x 18 mm modules	iCI, iCH: DIN rail 2 x 18 mm modules CH: flush mount
Measurement	iAMP: 30 A direct or external CT	iVLT: 600 V AC direct or external VT	VLT: 500 V AC direct or external VT AMP: external CT	400 V AC direct	
Communication ports					
Inputs / Outputs					
Memory capacity					

# Panorama of the PowerLogic™ range (cont'd)

## Basic energy metering



Name	iEM2xxx Range iEM2000, iEM2100, iEM2400	iEM3000 Series	PM3000 Series	PowerTag Energy Series
Function	kilowatt-hour meter	kilowatt-hour meters power and energy meters	metering & sub-metering Class 0.5S IEC 62053-22 Class 1 IEC 62053-21 Class 2 IEC 62053-23	wireless power & energy meter

### Applications

#### Panel instrumentation

Panel instrumentation	E (in all range) I, U, F, P, Q, S, PF (in selected ranges)	I, U, F, P, Q, S, PF, E (Power demand and current demand)	I, U, F, P, Q, S, PF, E (Power demand and current demand)	I, U, F, P, Q, S, PF, E (Depending on reference; Power demand depending on gateway)
-----------------------	--	---	---	--

#### Energy efficiency and cost

Sub-billing & cost allocation				cost allocation only
Demand & load management				
Billing analysis				

#### Power availability & reliability

Compliance monitoring				
Dip/swell, transient				
Harmonics				

#### Revenue metering

Revenue meter				
---------------	--	--	--	--

### Characteristics

Measurement accuracy	Class 1 (Wh)/ Class 2 (VARh)	Class 0.5S / Class 1 (Wh) Class 2 (VARh)	Class 0.5	IEC 61557-12 PMD/DD Class 1 (active energy)
Installation	DIN rail 1, 2 x 18 mm modules	DIN rail 5, 7 x 18 mm modules	DIN rail	on product or on cables depending on the reference
Voltage measurement	upto 276 V (Ph-N) AC direct	100 - 277 V L-N, 173 - 480 V L-L up to 1MV AC (ext VT)	50 V to 330 V AC (Ph-N) 80 V to 570 V AC (Ph-Ph) up to 1MV AC (ext VT)	up to 277 V AC (Ph-N) / 480 V AC (Ph-Ph) depending on the reference
Current measurement	40 to 125 A direct	external CT (iEM32/34/3500) direct 63 A (iEM3100), 125 A (iEM3300)	external CT	63 to 2000 A
Communication ports	RS-485, M-Bus in selected references	RS-485, M-Bus, BACnet, LonWorks in selected references	1	Wireless
Inputs / Outputs	1/1 (in selected)	upto 2 Inputs and 1 Output	2 I/O	
Memory capacity				

page 37

page 42

page 48

page 54

# Panorama of the PowerLogic™ range (cont'd)

## Wireless products



## Basic multi-function metering



Name	PowerTag Control	HeatTag Smart Sensor	PM5000 Series	PM5350 Series
Function	Circuit monitoring & control IEC 60364-8-1 EN 17267 ISO 50010	Early detection of overheating wire connections or overheating cables	metering & sub-metering Class 0.5S IEC 62053-22 Class 1 IEC 62053-21 Class 2 IEC 62053-23 Class 0.5/1 IEC 61557-12	Class 0.5S IEC 62053-22 Class 2 IEC 62053-23 Class 1 IEC 61557-12

## Applications

### Panel instrumentation

Panel instrumentation	Analysis of gas and micro-particles, Temperature, Humidity	I, U, F, P, Q, S, PF, E (Power demand and current demand)	I, U, F, P, Q, S, PF, E (Power demand and current demand)
-----------------------	--	---	---

### Energy efficiency and cost

Sub-billing & cost allocation			
Demand & load management			
Billing analysis			

### Power availability & reliability

Compliance monitoring			
Dip/swell, transient			
Harmonics			

### Revenue metering

Revenue meter			
---------------	--	--	--

## Characteristics

Measurement accuracy		Temperature ±1.1 °C Humidity ± 9 RH%	Class 0.5S	Class 0.5
Installation	DIN rail	DIN rail 6 x 18 mm modules	Flush mount 96 mm x 96 mm or DIN rail (PM5563)	Flush mount 96 mm x 96 mm
Voltage measurement			20 V to 400 V AC L-N 35 V to 690 V AC L-L	20 V to 300 V L-N 35 V to 520 V L-L
Current measurement			external CT	external CT
Communication ports	Wireless		RS-485, Ethernet, BACnet, Ethernet IP	RS-485
Inputs / Outputs	2 I/O		upto 4 inputs/ 2 outputs	upto 4 inputs/ 2 outputs
Memory capacity			Available	

page 97

page 101

page 105

page 118

# Panorama of the PowerLogic™ range (cont'd)

## EcoStruxure™ Panel Server



<b>Name</b>	<b>EcoStruxure™ Panel Server</b>
<b>Function</b>	IoT gateway for intelligent power network

### Features

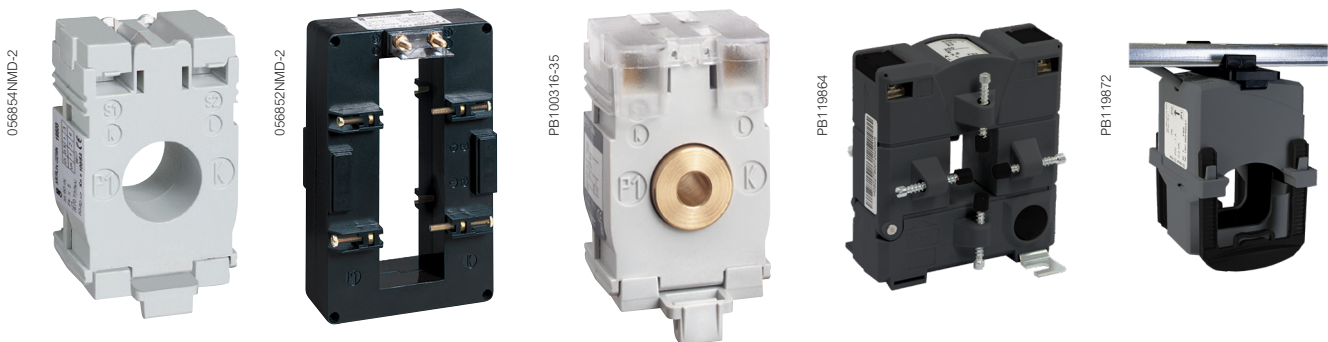
RS-485 / Ethernet gateway	Supports IEEE 802.15.4 and Modbus devices
Devices supported	Wired devices communicating through Modbus-SL, Modbus TCP/IP, or digital inputs: Circuit breakers and switch-disconnectors, Protection relays, Power meters, Energy meters, Pulse meters, IO modules, Gateways Wireless devices: PowerTag Energy sensors, Environmental sensors, Acti9 Active, HeatTag sensors, PowerTag Control modules, Wireless indication auxiliaries for ComPacT NSX and ComPacT NSXm, circuit breakers
Web server with standard HTML pages	
Web server with custom HTML pages	
Real time data	Available on web server embedded in Panel Server
Historical data	Available on web server embedded in Panel Server (Advanced Panel Server only)
Automatic notification	Available on embedded web server (Advanced Panel Server only), edge control system & cloud-hosted application
Alarm and event logs	Available on embedded web server (Advanced Panel Server only), edge control system & cloud-hosted application
Waveform display	
Custom animated graphics	
Manual/automatic reports	

### Characteristics

Ethernet ports Modbus TCP/IP protocol	Two Ethernet 10Base-T/100Base-T port Wi-Fi
RS-485 (2-wire / 4-wire) ports, Modbus protocol	Bluetooth communication for commissioning Modbus RS485 serial communication IEEE 802.15.4 wireless communication
Number of devices connected directly	Modbus TCP/IP server and client Support of HTTPS, NTP, SNTP, DHCP client and server with proxy management
RS-232 configuration ports	Modbus RS485 to Modbus/TCP Gateway
Miscellaneous	Wireless devices concentrator to Modbus/TCP Two digital inputs (24VDC version only) Commissioning through EcoStruxure™ Power Commission or through Embedded Web-Pages
Installation	

# Current transformers

Schneider Electric is the global specialist in energy management with the most complete power monitoring product line. Current Transformers are essential components designed to be used with Schneider Electric's extensive power monitoring product portfolio. From simple energy meters to world class power quality meters, these proven products satisfy any requirement.



METSECT5CC04



METSECT5MB025



METSECT5CYL1



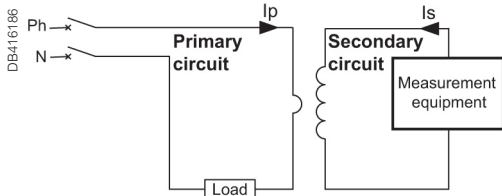
METSECT5GD025



METSECT5HA025



# Ip/5 A ratio



Application diagram of a CT.

The Ip/5 A ratio current transformer delivers at the secondary a current ( $I_s$ ) of 0 to 5 A that is proportional to the current measured at the primary ( $I_p$ ). This allows them to be used in combination with measurement equipment:

- Ammeters
- Kilowatt-hour meters
- Measurement units
- Control relays
- etc.

When the primary is energized, the measurement equipment nearly acts as a short circuit which keeps the secondary voltage very low. This voltage will increase significantly if the short circuit is removed.

## CT selection - conductor rating aspects

The choice depends on the conductor profile and the maximum intensity of the primary circuit.

## CT with let-through primary

Conductor type	Cable	Mixed, bars or cables	Vertical or horizontal bars	Vertical bars
Suggested Current Transformer and mounting	DB415986	DB415920	DB415988	DB415989
Ratings (A)	40 to 250	150 to 800	200 to 4000	5000 to 6000
CT internal	Type C	Type M	Type D <sup>(1)</sup>	Type V
	FF C	FF MA FF MD	FF D	FF V

<sup>(1)</sup> Two secondary connectors (parallel internal wiring - only one secondary winding) for easier cable access. 1 lateral + 1 on one extremity. Warning: only one must be used at a time.

## Specific mounting: use of cylinder

A cylindrical metallic spacer ensures a proper CT positioning when the conductor or the CT cannot be positioned perpendicular. Secured by bolt + nut.

**CT with primary connection by screw and nut**  
(example: use of cylinder with bar or cable)

The diagrams show two methods of mounting a CT using a cylindrical spacer. The first method, labeled DB416005, uses a screw and nut to secure the CT to a bar. The second method, labeled DB416006, uses a screw and nut to secure the CT to a cable. The spacer is identified as METSECT5CYL1 (aluminium) and 16550 (brass).

NOTE: This document is not intended to be used as an installation guide.

### CT selection - Electrical aspect Ip/5 A

- We recommend that you choose the ratio immediately higher than the maximum measured current (In).  
Example: In = 1103 A; ratio chosen = 1250/5.
- For small ratings: From 40/5 to 75/5 and for an application with digital devices, we recommend that you choose a higher rating, for example 100/5. This is because small ratings are less accurate and the 40 A measurement, for example, will be more accurate with a 100/5 CT than with a 40/5 CT.
- Specific case of the motor starter: to measure motor starter current, you must choose a CT with primary current  $I_p = I_d/2$  ( $I_d$  = motor starting current).

### Validation of measurement solution according to accuracy class

It consists in controlling the right adaptation of the CT on the accuracy class aspect. The accuracy class is specified in the project. The total dissipated power of the measurement circuit (meter + cables) should not be superior to the specified limit of the CT. This limit is for different standard classes. If necessary, the choice of the cable section, the CT or meter should be modified to fit the requirement.

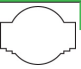
Copper cable cross-section (mm <sup>2</sup> )	Power per doubled meter at 20 °C (VA)	Schneider Electric device	Consumption of the current input (VA)
1	1	Ammeter 72 x 72 / 96 x 96	1.1
1.5	0.685	Analog ammeter	1.1
2.5	0.41	Digital ammeter	0.3
4	0.254	PM8000	0.15
6	0.169	PM3000	0.3
10	0.0975	PM5000	
16	0.062	iEM3000	

For each temperature variation per 10 °C bracket, the power drawn up by the cables increases by 4 %.

### Application example

Project specification: 200 A, in Ø27 mm cable, accuracy class 1.  
Our choice is [METSECT5MA020](#).

For this CT selected on the chart (next page), the max acceptable power is 7 VA (for "Accuracy class 1" which is specified in the project).

Internal profile type	Cables (mm)	Bars (mm)	Rating Ip/5 A (A)	Commercial reference number	Accuracy class		
					0.5	1	3
					Max. power (VA)		
	Ø27	10 x 32 15 x 25	150	METSECT5MA015	3	4	-
			200	METSECT5MA020	4	7	-
			250	METSECT5MA025	6	8	-
			300	METSECT5MA030	8	10	-
			400	METSECT5MA040	10	12	-

Control of the conformity of the measurement chain:

- PM3000 multi-meter: 0.3 VA.
- 4 meters of 2.5 mm<sup>2</sup>, doubled wires: 0.41 x 4 = 1.64 VA.

Total: 0.3 + 1.64 = 1.94 VA (< 7 VA)

Conclusion: this CT is well adapted as the accuracy class will be even better than 1.

⚠ **DANGER**

**HAZARD OF ELECTRICAL SHOCK, EXPLOSION OR ARC FLASH**

- Apply appropriate personal protective equipment (PPE) and follow safe electrical work practices. See NFPA 70E, CSA Z462 or equivalent local standards.
- Turn off all power supplying this device and the equipment in which it is installed before working on the device or equipment.
- Always use a properly rated voltage sensing device to confirm power is off.
- Treat I/O wiring connected to multiple devices as hazardous live until determined otherwise.
- Do not exceed the device's ratings for maximum limits.
- Do not use this device for critical control or protection applications where human or equipment safety relies on the operation of the control circuit.
- Disconnect all the device's input and output wires before performing dielectric (hi-pot) or Megger testing.

**CT DAMAGE**

- Never open circuit a current transformer (CT).
- Do not attempt to repair any component if the CT.

**Failure to follow these instructions will result in death or serious injury.**

PB118095

### Presentation of commercial reference numbers

MET SE CT **X** **XX** **XXX**

1 = 1 Amp  
5 = 5 Amp  
R = Rogowski

Last 3 digits = primary rating/10  
2 letters = Form Factor

**Examples:**

- METSECT5CC008 = 5 A secondary, Cables only, 75 A primary
- METSECT5MC080 = 5 A secondary, mixed for cables and bars, 800 A primary
- METSECTR30500 = Rogowski CT, 300 mm length, 96 mm diameter 50 A to 5000 A

PB112446



METSECT5CC●●●

PB112461



METSECT5MB●●●

PB112460



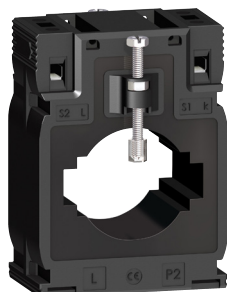
METSECT5MA●●●

PB112462



METSECT5MC●●●

PB112463



METSECT5MD●●●

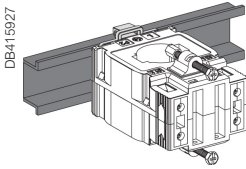
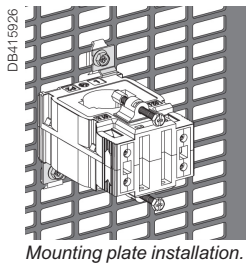
#### Type C - solid core current transformer (cable profile)

Internal profile type	Cables (mm)	Bars (mm)	Rating Ip/5 A (A)	Commercial ref number
<b>CC</b>				
FFCC	Ø21	-	40	METSECT5CC004
			50	METSECT5CC005
			60	METSECT5CC006
			75	METSECT5CC008
			100	METSECT5CC010
			125	METSECT5CC013
			150	METSECT5CC015
			200	METSECT5CC020
250	METSECT5CC025			

#### Type M - current transformers (mixed: cable/bar profile)

Internal profile type	Cables (mm)	Bars (mm)	Rating Ip/5 A (A)	Commercial ref number
<b>MB</b>				
FFMB	Ø26	12 x 40 15 x 32	250	METSECT5MB025
			300	METSECT5MB030
			400	METSECT5MB040
<b>MA</b>				
FFMA	Ø27	10 x 32 15 x 25	150	METSECT5MA015
			200	METSECT5MA020
			250	METSECT5MA025
			300	METSECT5MA030
			400	METSECT5MA040
<b>MC</b>				
FFMC	Ø32	10 x 40 20 x 32 25 x 25	250	METSECT5MC025
			300	METSECT5MC030
			400	METSECT5MC040
			500	METSECT5MC050
			600	METSECT5MC060
			800	METSECT5MC080
			<b>MD</b>	
FFMD	Ø40	12 x 50 20 x 40	500	METSECT5MD050
			600	METSECT5MD060
			800	METSECT5MD080


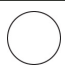
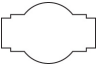

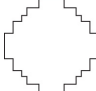
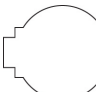
See your Schneider Electric representative for complete ordering information.



Common characteristics	
Secondary current Is (A)	5 A
Maximum voltage rating Ue (V)	720 V
Frequency (Hz)	50/60 Hz
Safety factor (sf)	40 to 4000 A: sf y 5 5000 to 6000 A: sf y 10
Degree of protection	IP20
Operating temperature	tropicalised range -25°C to +60°C <sup>(1)</sup> relative humidity > 95 %
Storage temperature	-40°C to +85°C
Compliance with standards	IEC 61869-2 VDE 0414
Secondary connection (as per model)	by terminals for lug by tunnel terminals by screws

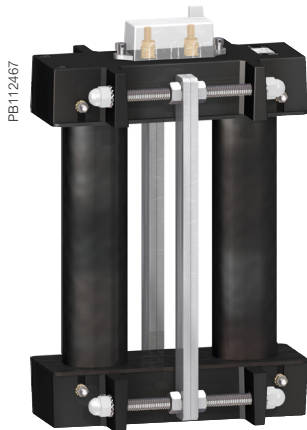
(1) Warning: some products are limited to +50°C.

Type C - solid core current transformer (cable profile)

Internal profile type	Accuracy class			Overall dimensions (refer to drawing pages for details) W x H x D (mm)	Fastening mode	Accessories Cylinder 	
	0.5	1	3				Max. power (VA)
<b>CC</b>	Dimension (mm)						
FF CC 	-	-	1	44 x 66 x 37	<ul style="list-style-type: none"> <li>■ Adapter for DIN rails.</li> <li>■ Mounting plate.</li> </ul>	16550 METSECT5CYL1	Included
	-	1.25	1.5				
	-	1.25	2				
	-	1.5	2.5				
	2	2.5	3.5				
	2.5	3.5	4				
	3	4	5				
	4	5.5	6				
5	6	7					
<b>MB</b>							
FF MB 	3	5	-	60 x 85 x 63	<ul style="list-style-type: none"> <li>■ Adapter for DIN rails.</li> <li>■ Mounting plate.</li> </ul>	-	METSECT5COVER
	4	6	-				
	6	8	-				
<b>MA</b>							
FF MA 	3	4	-	56 x 80 x 63	<ul style="list-style-type: none"> <li>■ Adapter for DIN rails.</li> <li>■ Mounting plate.</li> </ul>	METSECT5CYL2	METSECT5COVER
	4	7	-				
	6	8	-				
	8	10	-				
	10	12	-				
<b>MC</b>							
FF MC 	3	5	-	70 x 95 x 65	<ul style="list-style-type: none"> <li>■ Adapter for DIN rails.</li> <li>■ Mounting plate.</li> </ul>	-	METSECT5COVER
	5	8	-				
	8	10	-				
	10	12	-				
	12	15	-				
10	12	-					
<b>MD</b>							
FF MD 	4	6	-	70 x 95 x 65	<ul style="list-style-type: none"> <li>■ Adapter for DIN rails.</li> <li>■ Mounting plate.</li> </ul>	-	METSECT5COVER
	6	8	-				
	8	12	-				

See your Schneider Electric representative for complete ordering information.

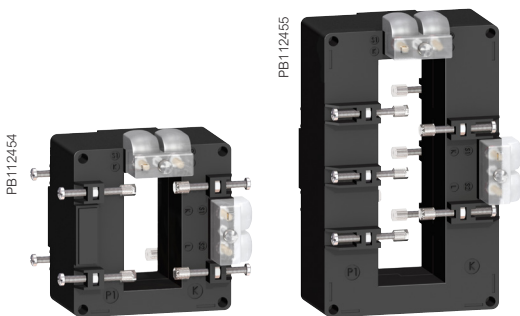
NOTE: This document is not intended to be used as an installation guide.



METSECT5VV●●●

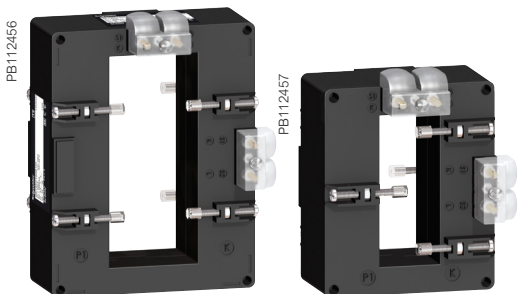
Type V - current transformers (vertical bar profile)

Internal profile type	Cables (mm)	Bars (mm)	Rating Ip/5 A (A)	Commercial reference number
FF V2	-	55 x 165	5000	METSECT5VV500 ★
			6000	METSECT5VV600 ★



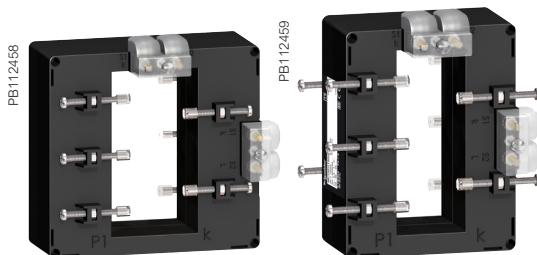
METSECT5DA●●●

METSECT5DB●●●



METSECT5DC●●●

METSECT5DD●●●



METSECT5DE●●●

METSECT5DH●●●

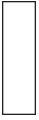
Type D - current transformers (vertical or horizontal bar - dual secondary terminals)

DA				
	-	32 x 65	400	METSECT5DA040
			500	METSECT5DA050
			600	METSECT5DA060
			800	METSECT5DA080
			1000	METSECT5DA100
			1250	METSECT5DA125 ★
			1500	METSECT5DA150 ★
DB				
	-	38 x 127	1000	METSECT5DB100
			1250	METSECT5DB125 ★
			1500	METSECT5DB150 ★
			2000	METSECT5DB200 ★
			2500	METSECT5DB250 ★
			3000	METSECT5DB300 ★
DC				
	-	52 x 127	2000	METSECT5DC200 ★
			2500	METSECT5DC250 ★
			3000	METSECT5DC300 ★
			4000	METSECT5DC400 ★
DD				
	-	34 x 84	1000	METSECT5DD100
			1250	METSECT5DD125 ★
			1500	METSECT5DD150 ★
DE				
	-	54 x 102	1000	METSECT5DE100
			1250	METSECT5DE125 ★
			1500	METSECT5DE150 ★
			2000	METSECT5DE200 ★
DH				
	-	38 x 102	1250	METSECT5DH125 ★
			1500	METSECT5DH150 ★
			2000	METSECT5DH200 ★

★ Operating temperature: -25 °C to 50 °C

See your Schneider Electric representative for complete ordering information.

## Type V - solid core current transformers (vertical bar profile)

Internal profile type	Accuracy class			Overall dimensions (refer to drawing pages for details) W x H x D (mm)	Fastening mode	Accessories	
	0.5	1	3			Cylinder	Sealable cover
	Max. power (VA)						
<b>VV</b>	<b>Dimension (mm)</b>						
	60	-	-	175 x 273.5 x 110	■ Insulated locking screw.	-	Included
	70	-	-				

## Type D - solid core current transformers (vertical or horizontal bar - dual secondary terminals)

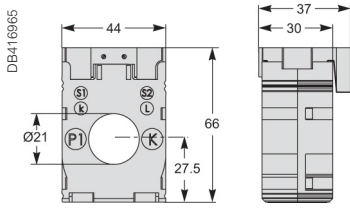
<b>DA</b>	<b>Dimension (mm)</b>						
	4	8	-	90 x 94 x 90	■ Insulated locking screw.	-	Included
	8	10	-				
	8	12	-				
	12	15	-				
	15	20	-				
	15	20	-				
	20	25	-				
<b>DB</b>							
	6	10	-	99 x 160 x 87	■ Insulated locking screw.	-	Included
	8	12	-				
	10	15	-				
	15	20	-				
	20	25	-				
	25	30	-				
<b>DC</b>							
	25	30	-	125 x 160 x 87	■ Insulated locking screw.	-	Included
	30	50	-				
	30	50	-				
	30	50	-				
<b>DD</b>							
	10	15	-	96 x 116 x 87	■ Insulated locking screw.	-	Included
	12	15	-				
	15	20	-				
<b>DE</b>							
	12	15	-	135 x 129 x 85	■ Insulated locking screw.	-	Included
	15	20	-				
	20	25	-				
	20	25	-				
<b>DH</b>							
	12	15	-	98 x 129 x 75	■ Insulated locking screw.	-	Included
	12	15	-				
	20	25	-				

★ Operating temperature: -25 °C to 50 °C

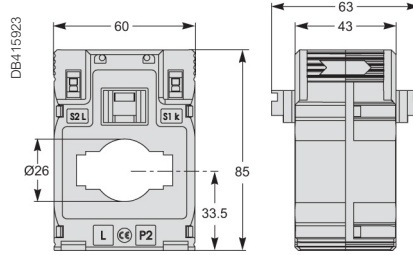
See your Schneider Electric representative for complete ordering information.

# Solid core CT dimensions

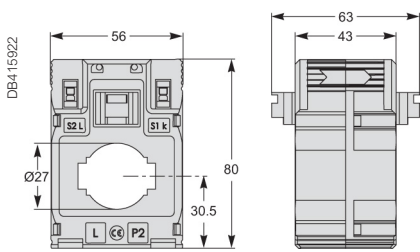
CC internal profile type



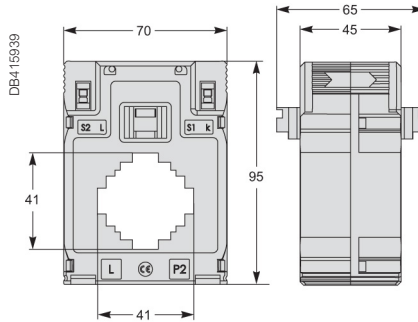
MB internal profile type



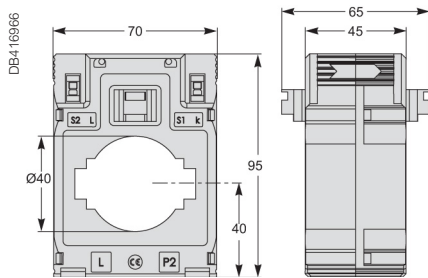
MA internal profile type



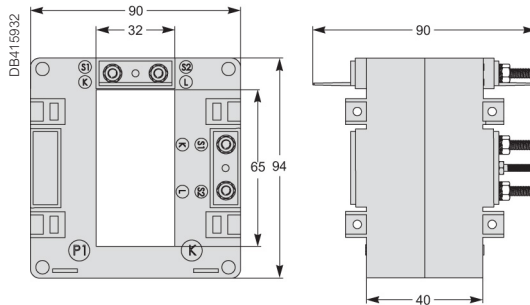
MC internal profile type



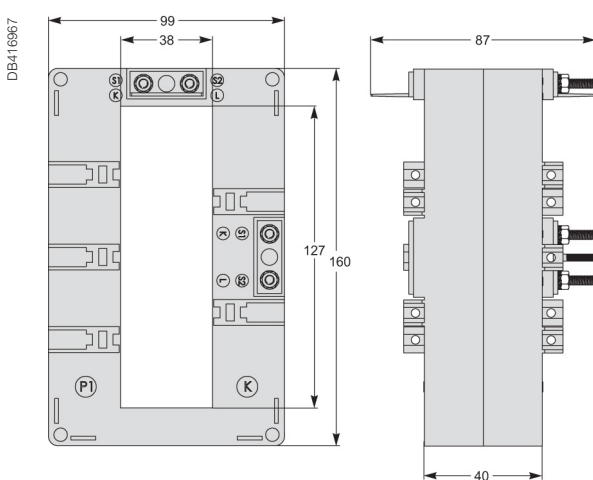
MD internal profile type



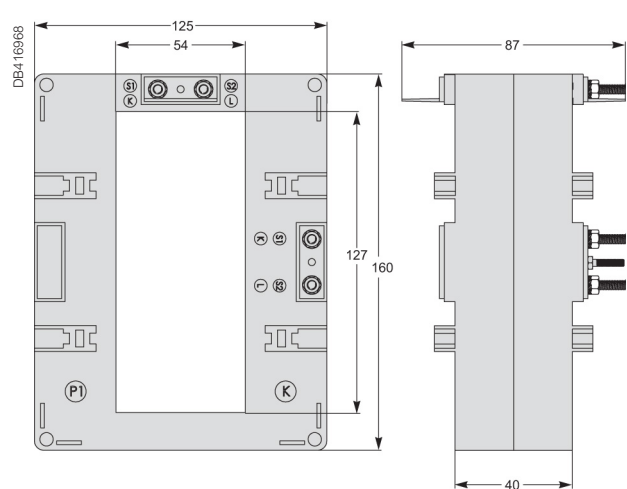
DA internal profile type



DB internal profile type

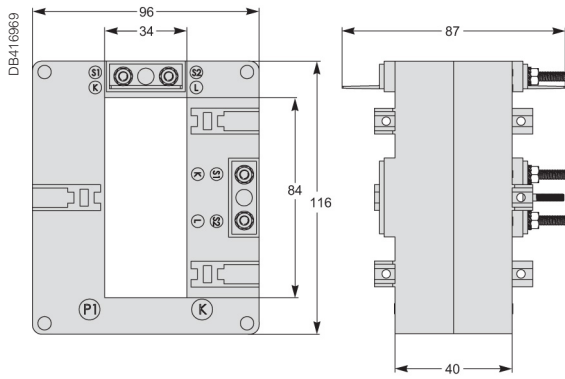


DC internal profile type

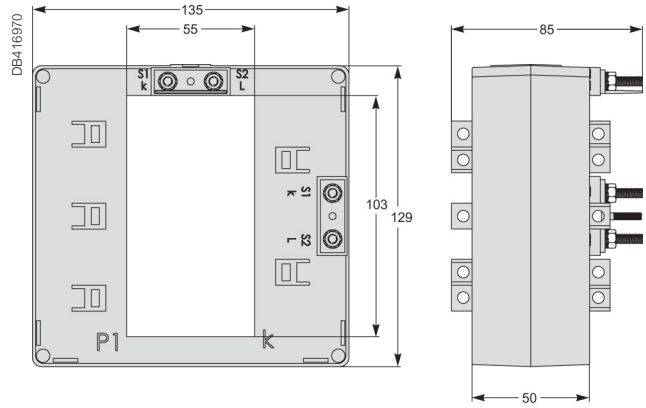


# Solid core CT dimensions contd.

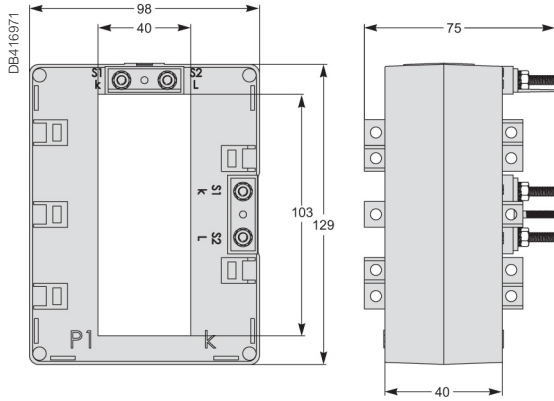
DD internal profile type



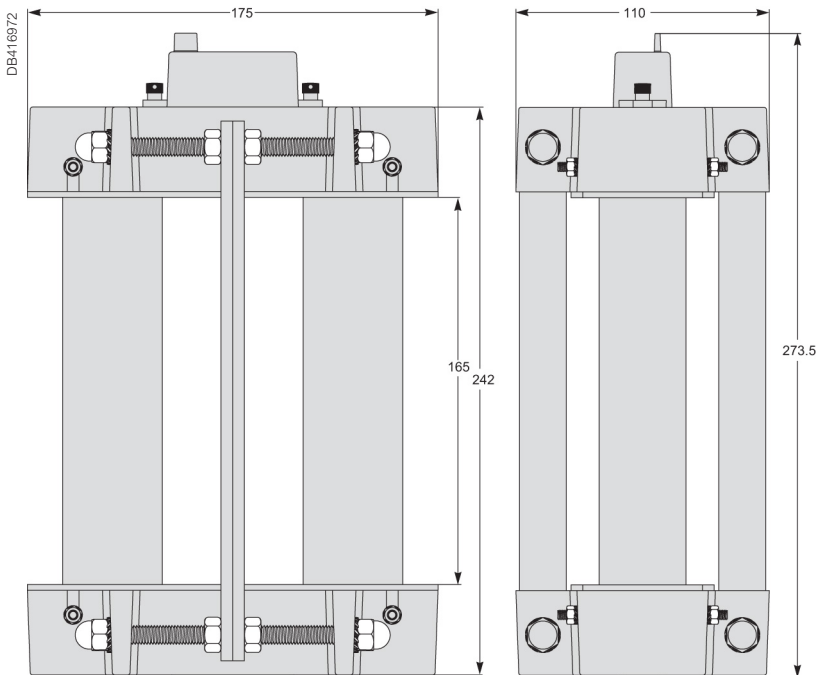
DE internal profile type



DH internal profile type



VV internal profile type



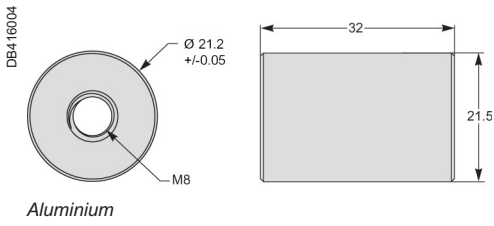
NOTE: This document is not intended to be used as an installation guide.



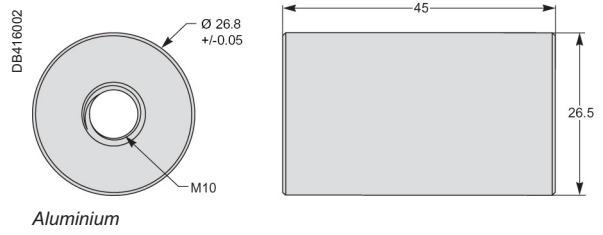
# Solid core cylinders dimensions

## Cylinders

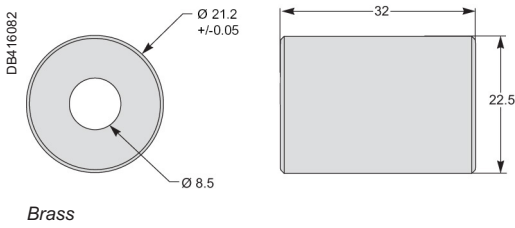
### METSECT5CYL1



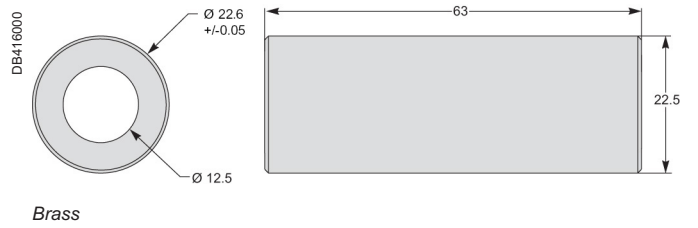
### METSECT5CYL2



### 16550

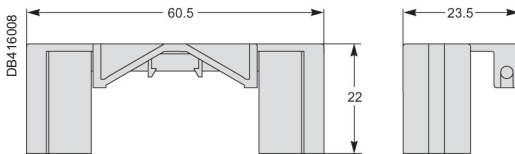


### 16551



## Covers

### METSECT5COVER



# Split core CTs

**⚠ ⚠ DANGER**

**HAZARD OF ELECTRICAL SHOCK, EXPLOSION OR ARC FLASH**

- Apply appropriate personal protective equipment (PPE) and follow safe electrical work practices. See NFPA 70E, CSA Z462 or equivalent local standards.
- Turn off all power supplying this device and the equipment in which it is installed before working on the device or equipment.
- Always use a properly rated voltage sensing device to confirm power is off.
- Treat I/O wiring connected to multiple devices as hazardous live until determined otherwise.
- Do not exceed the device's ratings for maximum limits.
- Do not use this device for critical control or protection applications where human or equipment safety relies on the operation of the control circuit.
- Disconnect all the device's input and output wires before performing dielectric (hi-pot) or Megger testing.

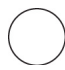


**CT DAMAGE**

- Never open circuit a current transformer (CT).
- Do not attempt to repair any component if the CT.

**Failure to follow these instructions will result in death or serious injury.**

Common characteristics	Cable CT	Bus Bar CT
Secondary current Is (A)	5 A	5 A
Maximum voltage rating Ue (V)	720 V	720 V
Frequency (Hz)	50/60 Hz	50/60 Hz
Safety factor (sf)	up to 1000 A: sf ≤ 5 greater than 1000 A: sf ≤ 10	up to 1500 A: sf ≤ 5 greater than 1500 A: sf ≤ 10
Degree of protection	IP20	IP20
Operating temperature	-5°C to +50°C relative humidity 5-85 %	-5°C to +40°C relative humidity 5-85 %
Storage temperature	-25°C to +70°C	-25°C to +70°C
Compliance with standards	IEC 61869-1 IEC 61869-2	IEC 61869-1 IEC 61869-2
Secondary connection (as per model)	by terminals for lug by tunnel terminals by screws	by terminals for lug by tunnel terminals by screws

## Split core CT

CT internal	Type H	Type G
	<div style="display: flex; align-items: center;"> <div style="writing-mode: vertical-rl; transform: rotate(180deg); font-size: small; margin-right: 5px;">FF C</div> <div style="margin-right: 10px;">  </div> <div> <p>HA HD HG HJ HP</p> </div> </div>	<div style="display: flex; align-items: center;"> <div style="writing-mode: vertical-rl; transform: rotate(180deg); font-size: small; margin-right: 5px;">FF V2</div> <div style="margin-right: 10px;">  </div> <div> <p>GA GD GG GJ</p> </div> </div>
	<div style="display: flex; align-items: center;"> <div style="writing-mode: vertical-rl; transform: rotate(180deg); font-size: small; margin-right: 5px;">FF HM</div> <div style="margin-right: 10px;">  </div> <div> <p>HM</p> </div> </div>	

# Split core CTs



PB119862

METSECT5GA●●●



PB119864

METSECT5GD●●●



PB119866

METSECT5GG●●●



PB119868

METSECT5GJ●●●

## Type G - split core current transformers (bus bar)

	Accuracy class			CT window dimension (mm)	Rating Ip/5A (A)	Commercial Reference no.
	0.5	1	3			
<b>GA</b>						
	-	-	1.25	23 x 33	100	METSECT5GA010
	-	-	1.5		150	METSECT5GA015
	-	-	2.5		200	METSECT5GA020
	-	1.5	-		250	METSECT5GA025
	-	3.75	-		300	METSECT5GA030
	1	-	-		400	METSECT5GA040
<b>GD</b>						
	-	1.5	-	55 x 85	250	METSECT5GD025
	-	2.5	-		300	METSECT5GD030
	1	-	-		400	METSECT5GD040
	2.5	-	-		500	METSECT5GD050
	2.5	-	-		600	METSECT5GD060
	2.5	-	-		750	METSECT5GD075
	2.5	-	-		800	METSECT5GD080
	5	-	-		1000	METSECT5GD100
<b>GG</b>						
	-	1.5	-	85 x 125	250	METSECT5GG025
	-	2.5	-		300	METSECT5GG030
	-	2.5	-		400	METSECT5GG040
	2.5	-	-		500	METSECT5GG050
	2.5	-	-		600	METSECT5GG060
	2.5	-	-		750	METSECT5GG075
	2.5	-	-		800	METSECT5GG080
	5	-	-		1000	METSECT5GG100
	5	-	-		1200	METSECT5GG120
	7.5	-	-		1250	METSECT5GG125
	7.5	-	-		1500	METSECT5GG150
<b>GJ</b>						
	10	-	-	85 x 165	1000	METSECT5GJ100
	10	-	-		1200	METSECT5GJ120
	10	-	-		1500	METSECT5GJ150
	10	-	-		1600	METSECT5GJ160
	10	-	-		2000	METSECT5GJ200
	10	-	-		2500	METSECT5GJ250
	15	-	-		3000	METSECT5GJ300
	15	-	-		4000	METSECT5GJ400

See your Schneider Electric representative for complete ordering information.

# Split core CTs contd.



PB119872

METSECT5HA●●●



PB119872

METSECT5HD●●●



PB119874

METSECT5HG●●●



PB119876

METSECT5HJ●●●



PB119878

METSECT5HM●●●



PB119874

METSECT5HP●●●

## Type H - split core current transformers (cable)

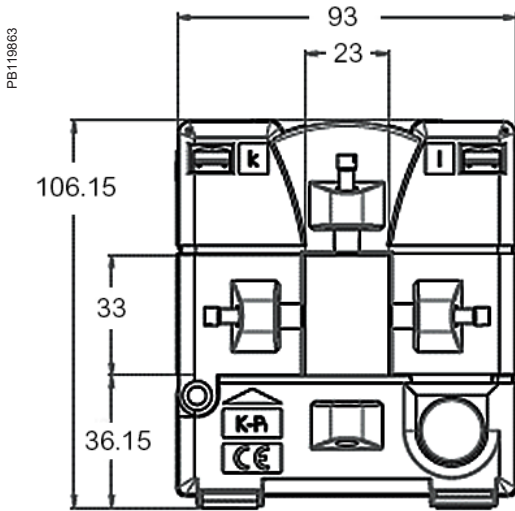
	Accuracy class			CT window dimension (mm)	Rating Ip/5A (A)	Commercial Reference no.
	Max power (VA)					
	0.5	1	3			
<b>HA</b>						
	-	1	-	18.4 x 19	150	METSECT5HA015
	-	1.5	-		150	METSECT5HA020
	1	-	-		250	METSECT5HA025
<b>HD</b>						
	-	1	-	27.9 x 27	250	METSECT5HD025
	-	1.5	-		300	METSECT5HD030
	-	2.5	-		400	METSECT5HD040
	1	-	-		500	METSECT5HD050
<b>HG</b>						
	-	-	1.5	Ø32.5	100	METSECT5HG010
	-	-	2.5		125	METSECT5HG013
	-	-	3		150	METSECT5HG015
	-	-	3		200	METSECT5HG020
	-	-	3		250	METSECT5HG025
	-	2.5	-		300	METSECT5HG030
	-	5	-		400	METSECT5HG040
	-	5	-		500	METSECT5HG050
	-	5	-		600	METSECT5HG060
<b>HJ</b>						
	-	2.5	-	42.4 x 43	300	METSECT5HJ030
	-	5	-		400	METSECT5HJ040
	-	5	-		500	METSECT5HJ050
	2.5	-	-		600	METSECT5HJ060
	2.5	-	-		750	METSECT5HJ075
	2.5	-	-		800	METSECT5HJ080
<b>HM</b>						
	-	2.5	-	42.4 x 85	300	METSECT5HM030
	-	5	-		400	METSECT5HM040
	-	5	-		500	METSECT5HM050
	2.5	-	-		600	METSECT5HM060
	2.5	-	-		750	METSECT5HM075
	2.5	-	-		800	METSECT5HM080
<b>HP</b>						
	-	1.5	-	Ø44	250	METSECT5HP025
	-	2.5	-		300	METSECT5HP030
	-	5	-		400	METSECT5HP040
	-	5	-		500	METSECT5HP050
	-	5	-		600	METSECT5HP060
	-	5	-		750	METSECT5HP075
	-	5	-		800	METSECT5HP080
	-	5	-		1000	METSECT5HP100

See your Schneider Electric representative for complete ordering information.

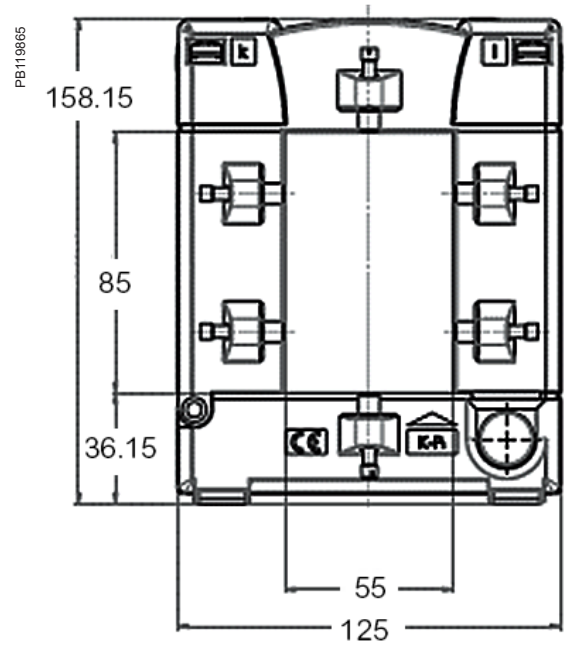
# Split core CT dimensions

Gx products

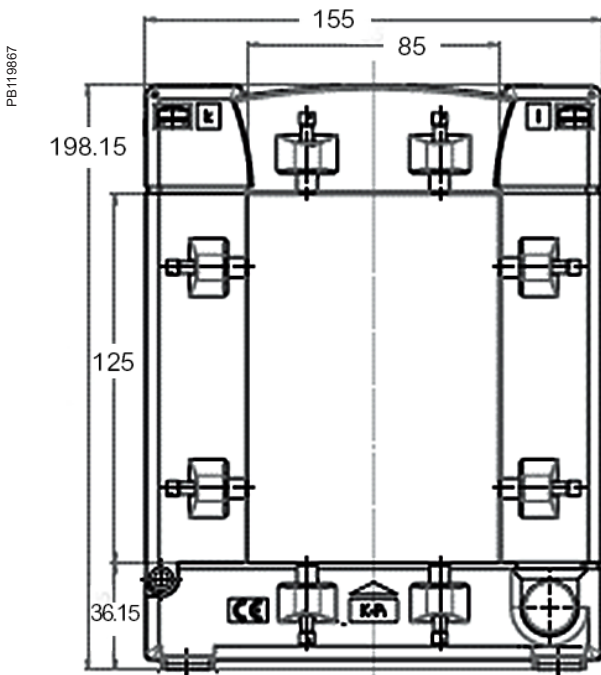
GA Dimensions



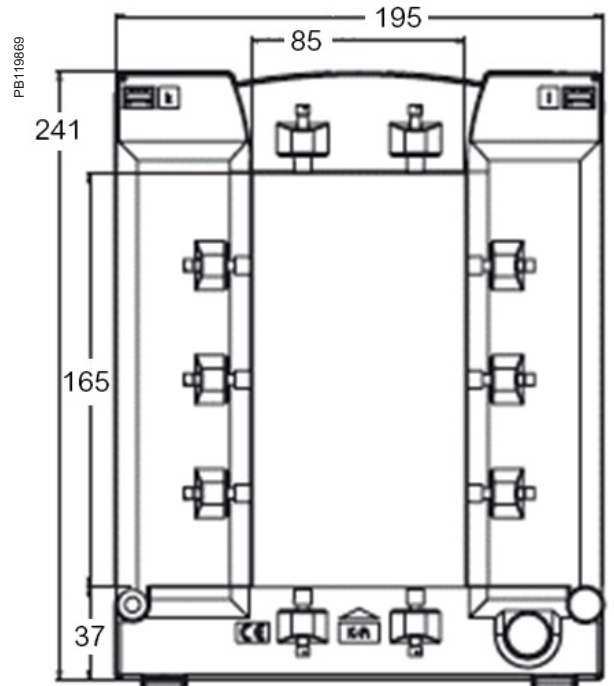
GD Dimensions



GG Dimensions



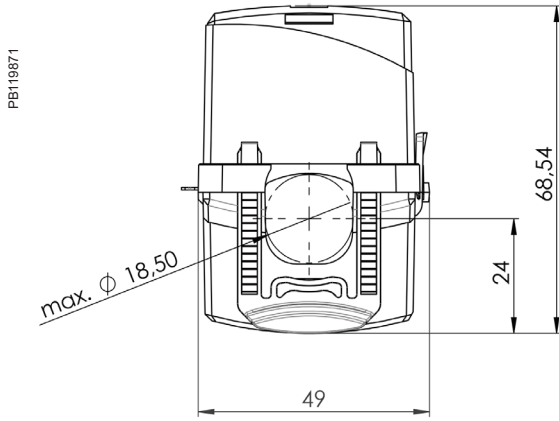
GJ Dimensions



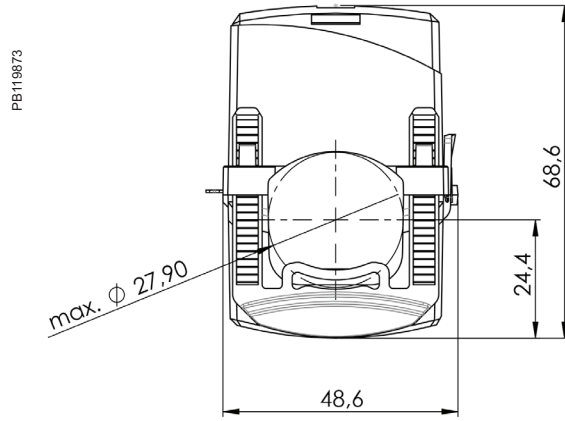
# Split core CT dimensions contd.

Hx products

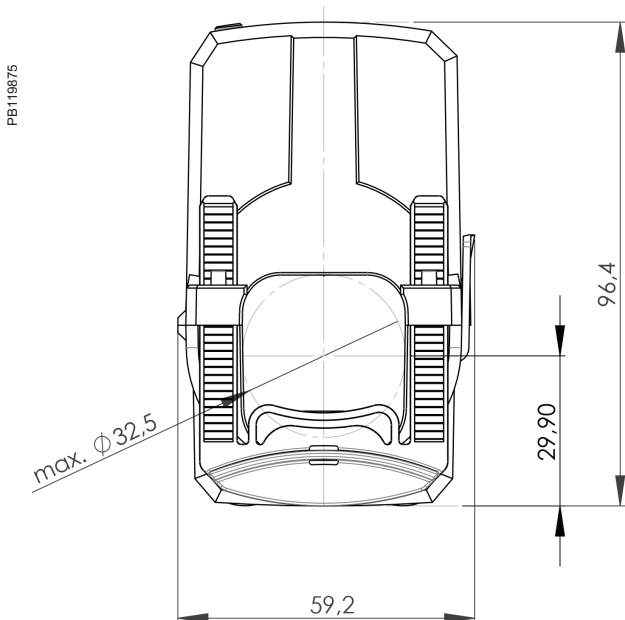
HA Dimensions



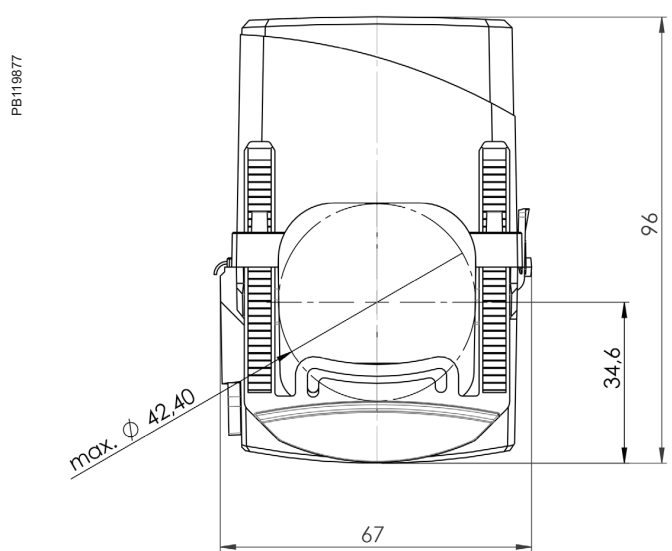
HD Dimensions



HG Dimensions

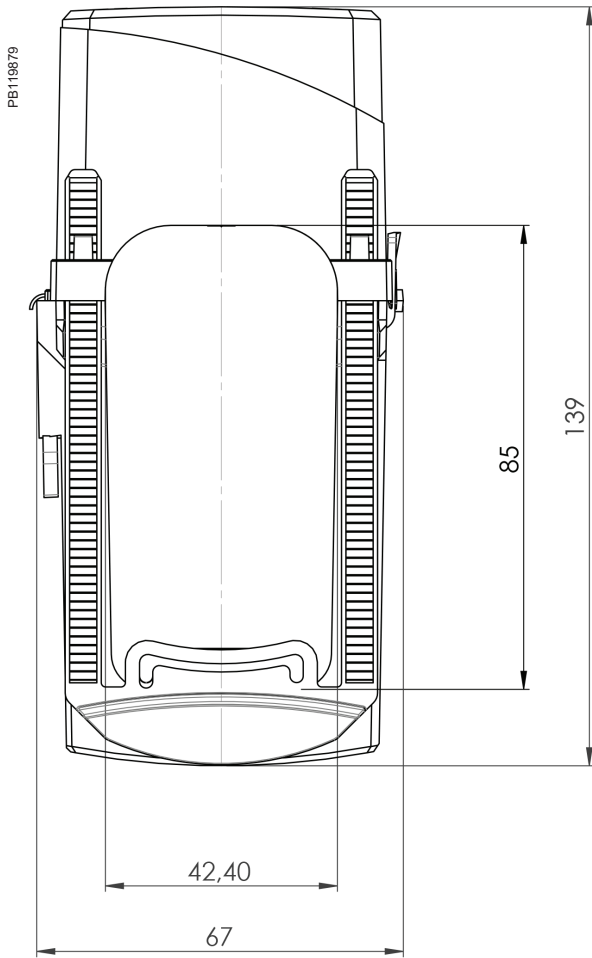


HJ Dimensions

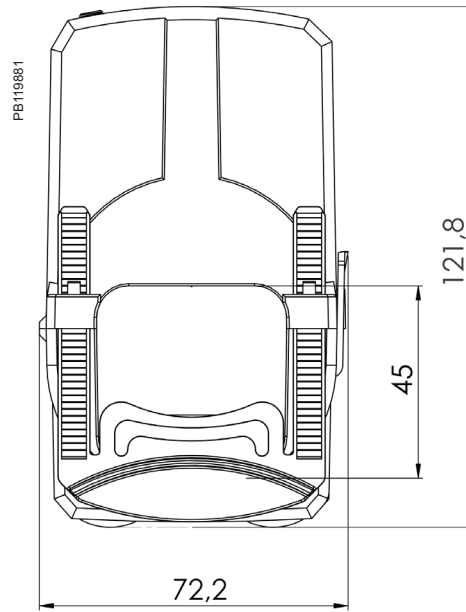


# Split core CT dimensions contd.

HM Dimensions



HP Dimensions



# Rogowski CTs

PB118060



METSECTR30500

## PowerLogic™ Rogowski Current Transformer

Main	METSECTR30500	METSECTR46500	METSECTR60500	METSECTR90500
Range	PowerLogic™			
Product or component type	Current transducer			
Accessory / part category	Measurement accessory			
Range compatibility	PowerLogic™ EM3500 - EM3555A EM3502A EM3560 EM3550A EM3560 EM3561A PowerLogic™ EM4200 - EM4236 EM4235 Acti9 iEM3000 - iEM3555 iEM3565			
Current transformer type	Flexible core			
<b>Complementary</b>				
Electrical connection	Flying lead 2.4 m 600 V AC max, voltage L-N sensed conductor			
Cable	1000 V AC UL style 21223 cable with 22 AWG leads			
Current range	50 A to 5000 A			
Network frequency	50/60 Hz			
Measurement accuracy	±1 % from 50 A to 5000 A			
Installation category	600 V AC Cat IV			
Pollution degree	2			
<b>Dimensions</b>	<b>METSECTR30500</b>	<b>METSECTR46500</b>	<b>METSECTR60500</b>	<b>METSECTR90500</b>
CT core thickness	8 mm diameter	8 mm diameter	8 mm diameter	8 mm diameter
CT core length (open)	300 mm	460 mm	600 mm	900 mm
Diameter (closed)	96 mm	146 mm	191 mm	287 mm
<b>Environment</b>				
Standards	EN 61010-1, UL 61010-1, EN 61010-2-032, UL 61010-2-032			
Product certifications	CURus UL recognized			
Ambient air temperature for operation	-15 °C to 60 °C			
Ambient air temperature for storage	-40 °C to 70 °C			
Humidity range	0 to 95 % non-condensing			
Altitude	2000 m max			
Protection degree	IP67			
<b>Commercial Reference Numbers</b>				
METSECTR25500	PowerLogic™ - Rogowski current transformer, 250 mm CT core length, 80 mm dia. CT, rope, 600 V AC, 5 kA			
METSECTR30500	PowerLogic™ - Rogowski current transformer, 300 mm CT core length, 96 mm dia. CT, rope, 600 V AC, 5 kA			
METSECTR46500	PowerLogic™ - Rogowski current transformer, 460 mm CT core length, 146 mm dia. CT, rope, 600 V AC, 5 kA			
METSECTR60500	PowerLogic™ - Rogowski current transformer, 600 mm CT core length, 191 mm dia. CT, rope, 600 V AC, 5 kA			
METSECTR90500	PowerLogic™ - Rogowski current transformer, 900 mm CT core length, 287 mm dia. CT, rope, 600 V AC, 5 kA			

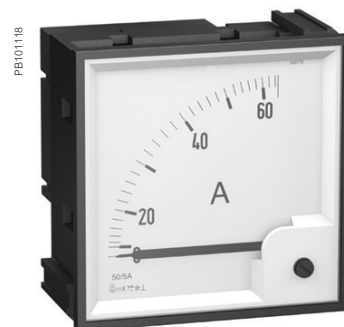


# Panel Instruments

Schneider Electric panel instruments reliably comply with the most stringent standards, including IEC, MID, UL, etc., and we thoroughly test all products with recognized, third-party laboratories.

Our products are simple to install, configure, and use. This saves our partners time and money and lets them deliver the best solutions in a timely and cost-effective manner.

Whatever the size or type of application, the PowerLogic™ product line is an integral part of smart panels.



16029



15202



16003



iAMP



16029



iVLT



16061

### Function

#### iAMP

Ammeters measure the current flowing through an electric circuit in amps.

#### iVLT

Voltmeters measure the potential (voltage) difference of an electric circuit in volts.

### Common technical data

- Accuracy: Class 1.5
- Complies with standards IEC 60051-1, IEC 61010-1 and IEC 61000-4
- Ferromagnetic device
- Pseudo-linear scale over 90°
- Ammeters (except catalog number 16029):
  - connection on CT, ratio In/5, to be ordered separately interchangeable dials
- Temperature:
  - operating temperature: -25 °C to 55 °C
  - reference temperature: 23 °C
- Influence of temperature on accuracy: ±0.03 %/°C
- Utilisation frequency: 50 Hz to 60 Hz
- Consumption:
  - AMP: 1.1 VA
  - VLT catalog number 15060: 2.5 VA
  - VLT catalog number 16061: 3.5 VA
- Permanent overload:
  - AMP: 1.2 In
  - VLT: 1.2 Un
- Maximum overload for 5 s:
  - AMP: 10 In
  - VLT: 2 Un
- Connection: tunnel terminals for 1.5 to 6 mm<sup>2</sup> rigid cables

### Commercial reference numbers

Type	Scale	Connection with CT	Width in mod. of 9 mm	Comm. ref. no.
<b>iAMP with direct connection</b>				
	0-30 A	no	8	16029
<b>iAMP with connection on CT</b>				
Basic device (delivered without dial)		X/5	8	16030
Dial	0-5 A			
	0-50 A	50/5		16032
	0-75 A	75/5		16033
	0-100 A	100/5		16034
	0-150 A	150/5		16035
	0-200 A	200/5		16036
	0-250 A	250/5		16037
	0-300 A	300/5		16038
	0-400 A	400/5		16039
	0-500 A	500/5		16040
	0-600 A	600/5		16041
	0-800 A	800/5		16042
	0-1000 A	1000/5		16043
	0-1500 A	1500/5		16044
	0-2000 A	2000/5		16045
<b>iVLT</b>				
	0-300 V		8	16060
	0-500 V		8	16061

See your Schneider Electric representative for complete ordering information.



15202

iAMP



15201

iVLT



15208

iFRE

## Function

### iAMP

Ammeters measure in amps the current flowing through an electric circuit.

### iVLT

Voltmeters measure in volts the potential (voltage) difference of an electric circuit.

### iFRE

Frequency meters measure in hertz the frequency of an electric circuit from 20 to 600 V AC.

## Common technical data

- Supply voltage: 230 V AC
- Operating frequency: 50 Hz to 60 Hz
- Display by red LED: 3 digits, h = 8 mm (0.31 in)
- Accuracy at full-scale : 0.5 % ±1 digit.
- Consumption: max. 5 VA or rated 2.5 VA
- Degree of protection:
  - IP40 on front face
  - IP20 at terminal level
- Connection: tunnel terminals for 2.5 mm<sup>2</sup> cables

## Specific data

### 10 A direct reading ammeter

- Minimum value measured: 4 % of rating
- Measurement input consumption: 1 VA

### Multi-rating ammeter

- Ratings:
  - in direct reading: 5 A
  - by CT (not supplied) configurable on the front face of the ammeter: 10, 15, 20, 25, 40, 50, 60, 100, 150, 200, 250, 400, 500, 600, 800, 1000, 1500, 2000, 2500, 4000, 5000 A
- Minimum value measured: 4 % of rating
- Measurement input consumption: 0.55 VA

### Voltmeter

- Direct measurement: 0...600 V AC
- Input impedance: 2 MW
- Minimum value measured: 4 % of rating

### Frequency meter

- Minimum value measured: 20 Hz
- Maximum value measured: 100 Hz
- Full-scale display: 99.9 Hz

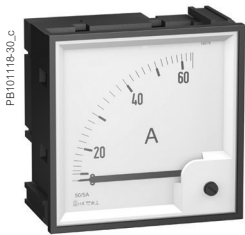
### Compliance with standards

- Safety: IEC/EN 61010-1
- EMC electromagnetic compatibility: IEC/EN 65081-1 and IEC/EN 65082-2

## Commercial reference numbers

Type	Scale	Connection with CT	Width in mod. of 9 mm	Comm. ref. no.
Direct reading iAMP				
	0-10 A	No	4	15202
Multi-rating iAMP				
	0-5000 A	As per rating	4	15209
iVLT				
	0-600 V		4	15201
iFRE				
	20-100 Hz		4	15208

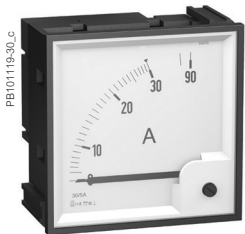
See your Schneider Electric representative for complete ordering information.



AMP for standard feeder



16009



AMP for motor feeder



16006



VLT



16005

### Function

The 72 x 72 measurement devices are designed for flush-mounted installation on doors, wicket doors and front plates of enclosures and cubicles.

#### AMP

The ammeters measure in amps the current flowing through an electrical circuit.

#### VLT

The voltmeter measure in volts the potential difference (voltage) of an electrical circuit.

### Common technical data

- Accuracy: Class 1.5
- Compliance with standard IEC 60051-1, IEC 61010-1 and IEC 61000-4
- Ferromagnetic device
- Scale length: 62 mm over 90°
- Mounting in enclosure or in cubicle
- Degree of protection: IP52
- Maximum operating position: 30° / vertical
- Temperature:
  - operation: -25 °C to 50 °C
  - reference: 23 °C
- Influence of temperature on accuracy: ±0.003 %/ °C
- Utilisation frequency: 50 Hz to 60 Hz

### AMP specific technical data

- Needs a In/5 CT to be ordered separately
- Interchangeable dials to be ordered separately
- Consumption: 1.1 VA
- Permanent overload: 1.2 In
- Maximum overload for 5 s: 10 In

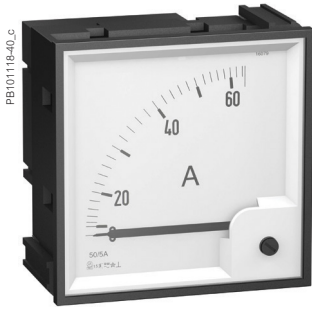
### VLT specific technical data

- Consumption: 3 VA
- Permanent overload: 1.2 Un
- Maximum overload for 5 s: 2 Un

### Commercial reference numbers

Type	Scale	Connection on CT	Comm. ref. no.
<b>AMP for standard feeder</b>			
Basic device (delivered without dial)		X/5	16004
1.3 In dial	0-50 A	50/5	16009
	0-100 A	100/5	16010
	0-200 A	200/5	16011
	0-400 A	400/5	16012
	0-600 A	600/5	16013
	0-1000 A	1000/5	16014
	0-1250 A	1250/5	16015
	0-1500 A	1500/5	16016
	0-2000 A	2000/5	16019
<b>AMP for motor feeder</b>			
Basic device (delivered without dial)		X/5	16003
3 In dial	0-30-90 A	30/5	16006
	0-75-225 A	75/5	16007
	0-200-600 A	200/5	16008
<b>VLT</b>			
	0-500 V		16005

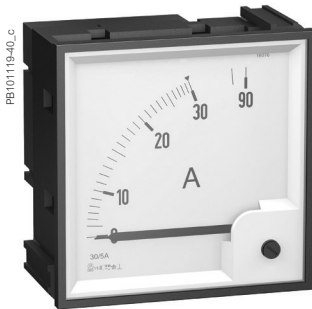
See your Schneider Electric representative for complete ordering information.



AMP for standard feeder



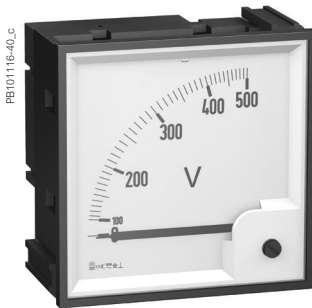
16079



AMP for motor feeder



16076



VLT



16075

### Function

The 96 x 96 measurement devices are designed for flush-mounted installation on doors, wicket doors and front plates of enclosures and cubicles.

#### AMP

The ammeters measure in amps the current flowing through an electrical circuit.

#### VLT

The voltmeter measure in volts the potential difference (voltage) of an electrical circuit.

### Common technical data

- Accuracy: class 1.5
- Compliance with standard IEC 60051-1, IEC 61010-1 and IEC 61000-4
- Ferromagnetic device
- Scale length: 80 mm over 90°
- Mounting in enclosure or in cubicle
- Degree of protection: IP52
- Maximum operating position: 30° / vertical
- Temperature:
  - operation: -25 °C to 50 °C
  - reference: 23 °C
- Influence of temperature on accuracy: ±0.003 % / °C
- Utilisation frequency: 50 Hz to 60 Hz

### AMP specific technical data

- Needs a In/5 CT to be ordered separately
- Interchangeable dials to be ordered separately
- Consumption: 1.1 VA
- Permanent overload: 1.2 In
- Maximum overload for 5S: 10 In

### VLT specific technical data

- Consumption: 3 VA
- Permanent overload: 1.2 Un
- Maximum overload for 5S: 2 Un

### Commercial reference numbers

Type	Scale	Connection on CT	Comm. ref. no.
<b>AMP for standard feeder</b>			
Basic device (delivered without dial)		X/5	16074
1.3 In dial	0-50 A	50/5	16079
	0-100 A	100/5	16080
	0-200 A	200/5	16081
	0-400 A	400/5	16082
	0-600 A	600/5	16083
	0-1000 A	1000/5	16084
	0-1250 A	1250/5	16085
	0-1500 A	1500/5	16086
	0-2000 A	2000/5	16087
	0-2500 A	2500/5	16088
	0-3000 A	3000/5	16089
	0-4000 A	4000/5	16090
0-5000 A	5000/5	16091	
0-6000 A	6000/5	16092	
<b>AMP for motor feeder</b>			
Basic device (delivered without dial)		X/5	16073
3 In dial	0-30-90 A	30/5	16076
	0-75-225 A	75/5	16077
	0-200-600 A	200/5	16078
<b>VLT</b>			
	0-500 V		16075

See your Schneider Electric representative for complete ordering information.

### Function

The 48 x 48 selector switches are designed for flush-mounted installation on doors, wicket doors and front plates of enclosures and cubicles.

#### CMA

The ammeter selector switch uses a single ammeter (by means of current transformers) for successive measurement of the currents of a three-phase circuit.

#### CMV

The voltmeter selector switch uses a single voltmeter for successive measurement of the voltages (phase-to-phase and phase-to-neutral) of a three-phase circuit.

### Common technical data

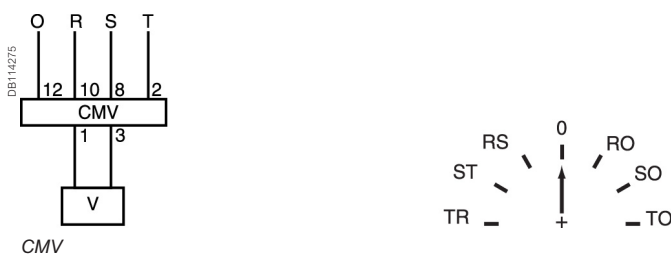
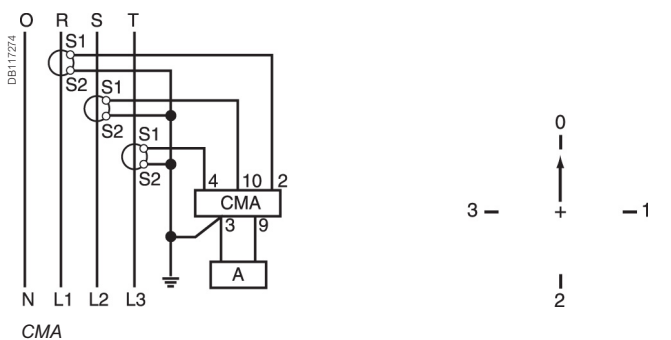
- Durability:
  - electrical: 100,000 operations
  - mechanical: 2,000,000 operations
- AgNi contact
- Operating temperature: -25 °C to 50 °C
- Compliance with standards IEC/EN 60947-3
- Degree of protection:
  - IP65 on front face
  - IP20 at terminal level

### Commercial reference numbers

Type	Rating (A)	Voltage (V)	Number of positions	Comm. ref. no.
CMA	20		4	16017
CMV		500	7	16018

See your Schneider Electric representative for complete ordering information.

### Connection



Reading 3 phase-to-earth voltages + 3 phase-to-phase voltages.

Note: when connecting do not remove the pre-cabling.  
See appropriate Installation Guide for this product.



15126

iCMA



15125

iCMV

### Function

#### iCMA

This 4-position ammeter selector switch uses a single ammeter (using current transformers) for successive measurement of the currents of a three-phase circuit.

#### iCMV

This 7-position voltmeter selector switch uses a single voltmeter for successive measurement of voltages (phase-to-phase and phase-to-neutral) of a three-phase circuit.

### Common technical data

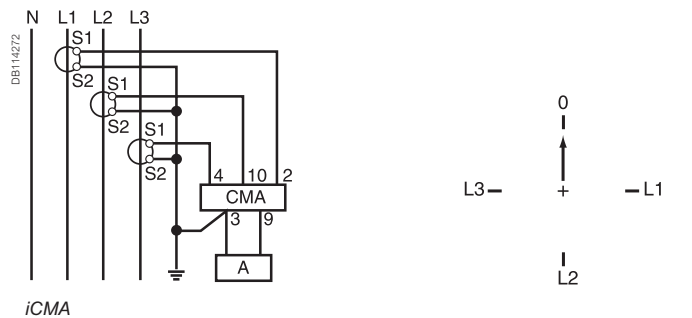
- Rotary handle
- Maximum operating voltage: 440 V, 50/60 Hz
- Nominal thermal current: 10 A
- Operating temperature: -20 °C to 55 °C
- Storage temperature: -25°C to 80°C
- Mechanical durability (AC21A-3 x 440 V): 2,000,000 operations
- Degree of protection:
  - IP66 on front face
  - IP20 at terminal level
- Electrical durability: 1,000,000 operations
- Connection: jumper terminals with captive screws, for cables up to 1.5 mm<sup>2</sup>
- Complies with standards: IEC/EN 60947-3

### Commercial reference numbers

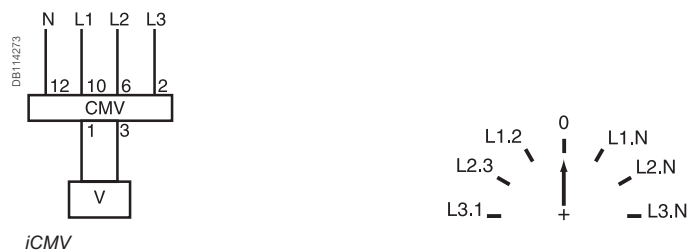
Type	Rating (A)	Voltage (V AC)	Width in mod. of 9 mm	Comm. ref. no.
iCMA	10	415	4	15126
iCMV	10	415	4	15125

See your Schneider Electric representative for complete ordering information.

### Connection



iCMA



iCMV

See appropriate Installation Guide for this product.



15440

iCH "DIN"



15607

CH "48 x 48"

### Function

Electromechanical counter that counts the operating hours of a machine or piece of electrical equipment. Giving a precise indication of operating time, the counter is used to decide when to carry out preventive maintenance.

### Common technical data

- Electromechanical display
- Maximum display: 99999.99 hours
- Display accuracy: 0.01 %
- Without reset
- Storage temperature: -25 °C to 85 °C
- Connection: tunnel terminals for 2.5 mm<sup>2</sup> cable

### Specific technical data

#### iCH "DIN"

- Consumption: 0.15 VA
- Operating temperature: -10 °C to 70 °C
- Mounting on DIN rail

#### CH "48 x 48"

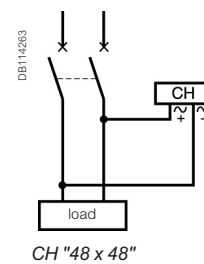
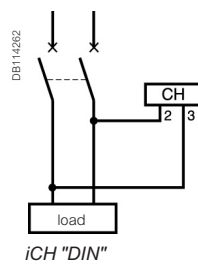
- Consumption:
  - 15607: 0.25 VA
  - 15608: 0.15 VA
  - 15609: 0.02 VA to 12 V and 0.3 VA to 36 V
- Operating temperature: -20 °C to 70 °C
- Degree of protection: IP65 on front face
- Mounting on front face of monitoring switchboards

### Commercial reference numbers

Type	Voltage (V)	Width in mod. of 9 mm	Comm. ref. no.
iCH "DIN"	230 V AC ± 10 %/50 Hz	4	15440
CH "48 x 48"	24 V AC ± 10 %/50 Hz		15607
	230 V AC ± 10 %/50 Hz		15608
	12 to 36 V DC		15609

See your Schneider Electric representative for complete ordering information.

### Connection



See appropriate Installation Guide for this product.





15443

iCI impulse counter

### Function

Electromechanical counter designed to count impulses emitted by: kilowatt-hour meters, temperature overrun detectors, people meters, speed meters, etc.

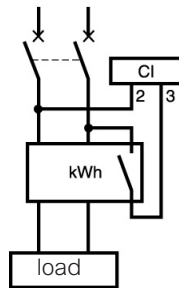
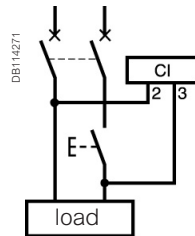
### Common technical data

- Supply and metering voltage: 230 V AC ± 10 %, 50/60 Hz
- Consumption: 0.15 VA
- Maximum display: 9 999 999 impulses
- Without reset
- Metering data:
  - minimum impulse time: 50 ms
  - minimum time between 2 impulses: 50 ms
- Storage temperature: -25 °C to 85 °C
- Operating temperature: -10 °C to 70 °C
- Connection: tunnel terminals for 2.5 mm<sup>2</sup> cable

### Commercial reference numbers

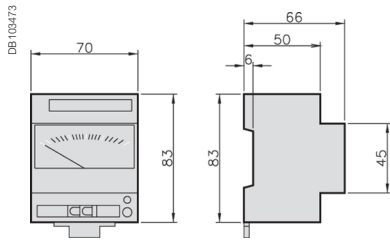
Type	Width in mod. of 9 mm	Comm. ref. no.
iCI	4	15443

### Connection

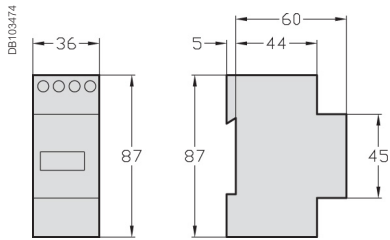


See appropriate Installation Guide for this product.

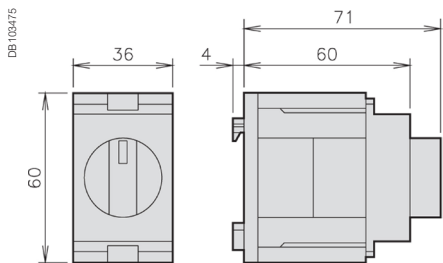
Analog ammeters and voltmeters iAMP, iVLT



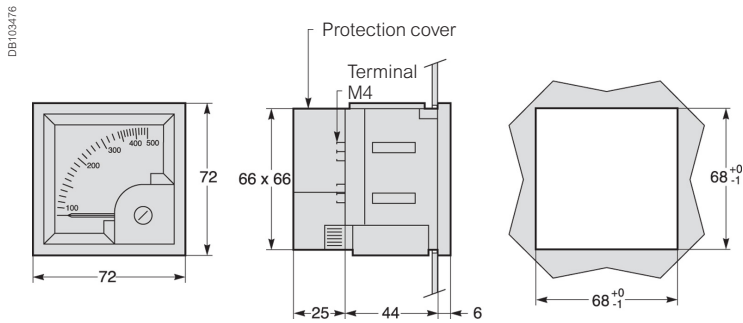
Digital ammeters, voltmeter and frequency meter iAMP, iVLT



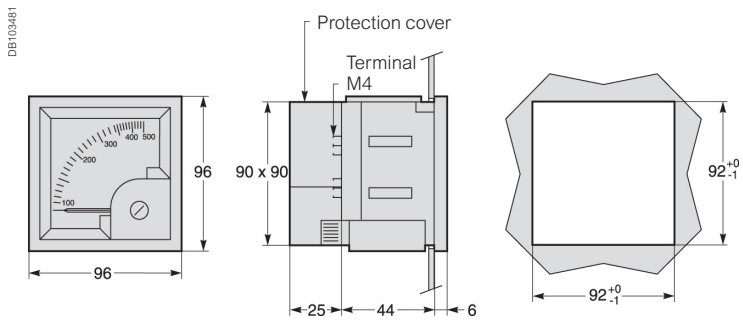
iCMA and iCMV selector switches



72 x 72 analog ammeters and voltmeter

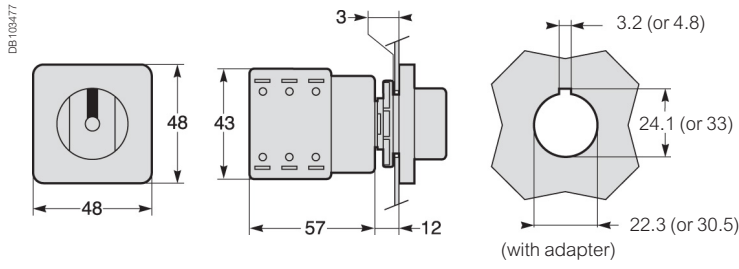


96 x 96 analog ammeters and voltmeter

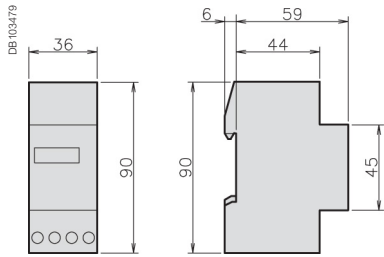


See the appropriate Installation Guide for this product.

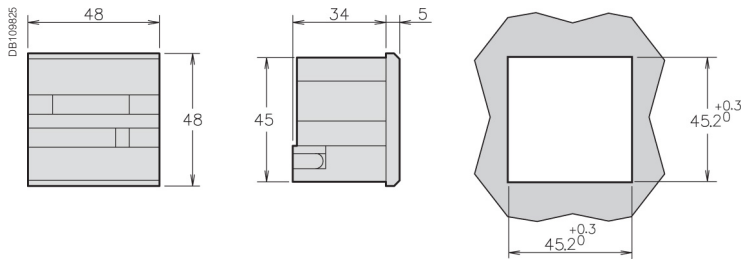
48 x 48 CMA and CMV selector switches



iCI impulse counter and iCH hour counter



48 x 48 CH hour counters



See the appropriate Installation Guide for this product.

# Basic energy metering

Basic energy meters comply with a variety of applications: single-phase or three-phase circuits, basic kWh meters for elementary applications, to full-featured, dual tariff energy meters and power metering for network monitoring applications. Data is visible locally or accessible remotely. Wireless communication energy sensors with compact design allow to optimize panel size.

- PowerLogic™ iEM2000 series
- PowerLogic™ iEM2100 series
- PowerLogic™ iEM2400 series
- PowerLogic™ iEM3000 series
- PowerLogic™ PM3000 series
- PowerLogic™ PowerTag Energy series



A9MEM2000



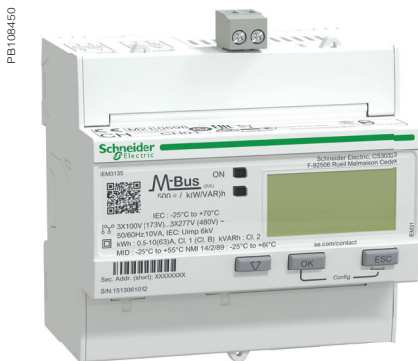
A9MEM2055



A9MEM2155



A9MEM2435



A9MEM3135



METSEPM3250



A9MEM1580

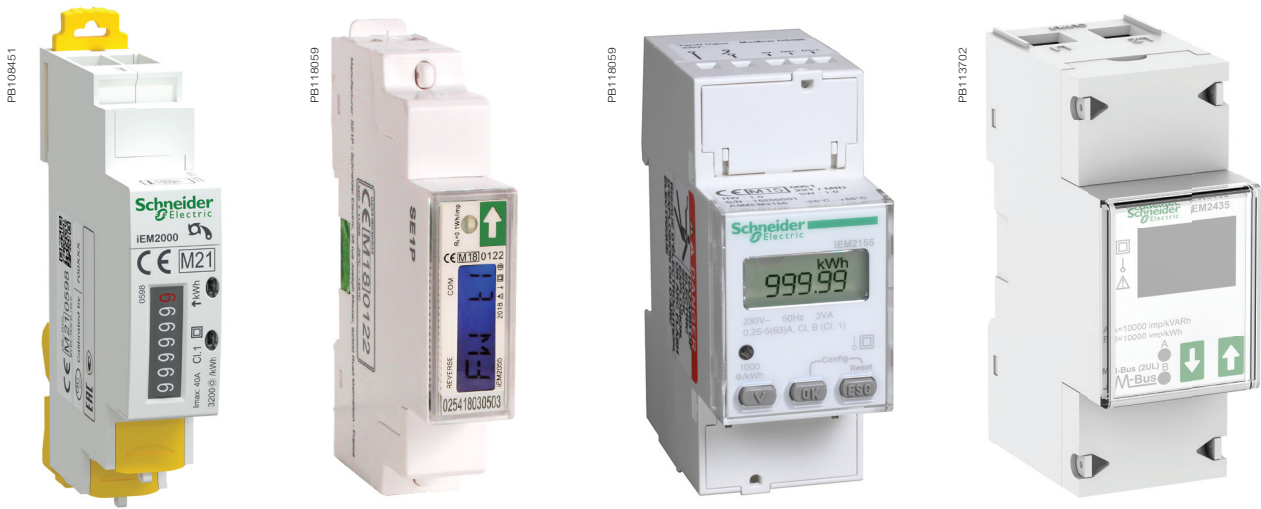
# Acti9 iEM2xxx Range

## iEM2000, iEM2100, iEM2400 series

The Acti9 iEM2xxx range energy meters offer a cost-attractive, competitive range of single-phase DIN rail-mounted energy meters ideal for sub-billing, cost allocation applications and support two protocols (Modbus RS-485 or M-Bus) that allow them to integrate seamlessly into any energy monitoring system.

### Applications

- Monitor power consumption for each floor, office sector, unit or workshop with maximum current from 40 A, 45 A, 63 A and 100 A
- Allocate energy cost to lower cost of operations, optimise building's power efficiency
- Connect to power management software to take full advantage of the IoT digital power installation
- Various businesses, industrial and residential applications



A9MEM2000



A9MEM2055



A9MEM2155



A9MEM2435

**The solution for:**

All markets that can benefit from a solution that includes Acti9 PowerLogic™ iEM2000, iEM2100, iEM2400 series meters:

- Buildings
- Industry
- Data Centre & networks
- Infrastructures (airport, road tunnels, telecom...)

**Benefits**

The Acti9 PowerLogic™ iEM2xxx meters are economical and easy to install in panelboards and switchboards:

- DIN rail mounted, compact size
- Accurate data measurement with Class 1 accuracy for kWh and Class 2 accuracy for kVARh\*
- Measures basic electrical parameters like voltage, current, frequency, power factor and power\*

**Energy management system:**

To get the most effective use from your Schneider Electric measurement and metering devices, we offer a range of dedicated data loggers and gateways for your building energy management.

\*in selected references.

**Competitive advantages\***

- Compact size - Compatible with Acti9 range, 18 mm width in iEM2000, 36 mm width in iEM2100 and iEM2400
- Display - available in displayless, electromech counter display or LCD display
- Communication - Pulse output, Modbus RS-485 or M-Bus communication port
- Self-powered, direct connect upto 100 A
- MID compliant providing certified accuracy and data security
- Four quadrant measurement
- Two tariffs
- Basic electrical parameter measurement eg. V, I, F, PF, PQS

**Conformity of standards**

- IEC 62052-11
- IEC 62053-21
- IEC 62053-23\*
- IEC 61557-12\*
- EN 50470-1\*
- EN 50470-3\*
- IEC 61010-1
- CE Certified

**iEM2xxx Range Feature selection**

Functions	iEM2000T	iEM2000/iEM2010	iEM2050/ iEM2055	iEM2100/ iEM2105	iEM2110	iEM2135/ iEM2155	iEM2150	iEM2435/ iEM2455
40A I <sub>max</sub>	■	■						
45A I <sub>max</sub>			■					
63A I <sub>max</sub>				■	■	■	■	
100A I <sub>max</sub>								■
Communication port			RS-485			M-Bus (iEM2135) RS-485 (iEM2155)	RS-485	M-Bus (iEM2435) RS-485 (iEM2455)
Pulse output (Energy)	1	1 (iEM2010)	1	1 (iEM2105)	2			
Digital inputs (Tariff switching)					1	1		
Display Type	No	Electromechanical Counter	LCD					
Width (mm)	18		17.5	36				35.7
Multi Tariff counter			2		2	2		2
Wh accuracy (IEC 62053-21)	Class 1							
Compliance to IEC 61557-12	■	■		■				
VARh accuracy (IEC 62053-23)	Class 2							
4 Quadrants measurement			■			■		
MID Class B (EN 50470-3), 50 Hz		■	■ (iEM2055)		■	■		■
V A F PF			■			■		
Power (P Q S)			■			P Q		■

See your Schneider Electric representative for complete ordering information.

# Acti9 iEM2xxx Range technical specifications

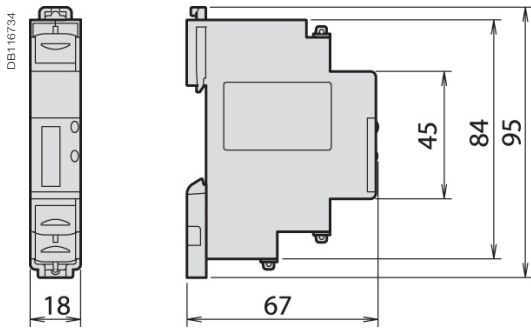
## iEM2000, iEM2100, iEM2400 series technical specifications

	iEM2000/ iEM2000T/ iEM2010	iEM2050/iEM2055	iEM2100/iEM2105	iEM2110/iEM2135/ iEM2150/iEM2155	iEM2435/iEM2455
Type of measurement	True rms for single-phase AC systems with direct connect/whole current measurement				
Max. current (Imax)	40 A	45 A	63 A	63 A	100 A
Basic current (Inom)	5 A		10 A	5 A	5 A
Starting current	40 mA	20 mA	40 mA	15 mA	20 mA
Voltage range (L-N)	184 to 276 V AC	195 to 253 V AC	207 to 253 V AC	184 to 276 V AC	195 to 253 V AC
Frequency range	50 Hz MID and IEC / 60 Hz IEC				
Max. kWh resolution	999999.9 kWh	9999.99 kWh to 99999.9 MWh	999.99 kWh/MWh	999999.99 kWh	9999.99 kWh to 99999.9 MWh
Pulse output	100 pulses/kWh (120 ms), 5...35 V DC, 1...20 mA (except iEM2000)	10000, 2000, 1000, 100, 10, 1, 0.1, 0.01 pulses/kWh (11.2 or 32 ms), 5...27 V DC, max 100 mA	1 pulse/kWh (200 ms), 18 mA at 24 V DC or 100 mA at 230 V AC (only for iEM2105)	1 to 1000 pulses/kWh or kVARh (30 to 100 ms) (only for iEM2110)	10000, 2000, 1000, 100, 10, 1, 0.1, 0.01 pulses/kWh, (5...32 ms), 5...27 V DC, max 100 mA
Meter constant LED	3200 flashes per kWh	10000 flashes per kWh	1000 flashes per kWh	1000 flashes per kWh	10000 flashes per kWh
Cable size (power connection)	10 mm <sup>2</sup>	10 mm <sup>2</sup>	16 mm <sup>2</sup>	33 mm <sup>2</sup>	35 mm <sup>2</sup>
Cable size (for communications)	4 mm <sup>2</sup>	2.5 mm <sup>2</sup>	6 mm <sup>2</sup>	4 mm <sup>2</sup>	2.5 mm <sup>2</sup>
Internal burden, at 240 V L-N, 50 Hz	<10 VA		<2.5 VA	<3 VA	<10 VA
Active energy	■				
Reactive energy		■		■	■
Active power		■		■	■
Reactive power		■		■	■
Apparent power		■		■	■
Power Factor		■		■	■
Current and voltage		■		■	■
Frequency		■		■	■
LED for local signalling	Green LED: power ON Yellow LED: 3200 impulse per kWh	Red LED: 10000 impulse per kWh	Yellow LED: 1000 impulse per kWh	Yellow LED: 1000 impulse per kWh	Red LED: 10000 impulse per kWh
CE, UKCA** certification	■				
IP degree of protection	IP40 front panel and IP20 casing	IP51 front panel and IP20 casing	IP40 front panel and IP20 casing		IP51 front panel and IP20 casing
Operating temperature	-10°C to +55°C	-25°C to +55°C			
Storage Temperature	-40°C to +70°C	-30°C to +70°C	-25°C to +70°C	-25°C to +70°C	-30°C to +70°C
Humidity at +55°C	<95 %	<75 %	<95 %	<95 %	<75 %
Green Premium product (RoHS, China RoHS, REACH, PEP, EOL)	■				
Altitude	<2000 m	<2000 m	<3000 m	<2000 m	<2000 m
Measurement category	Category III				
Pollution degree	2				
Commercial reference number	A9MEM2000 A9MEM2000T A9MEM2010	A9MEM2050 A9MEM2055	A9MEM2100 A9MEM2105	A9MEM2110 A9MEM2135 A9MEM2150 A9MEM2155	A9MEM2435 A9MEM2455

\*\* in selected references.

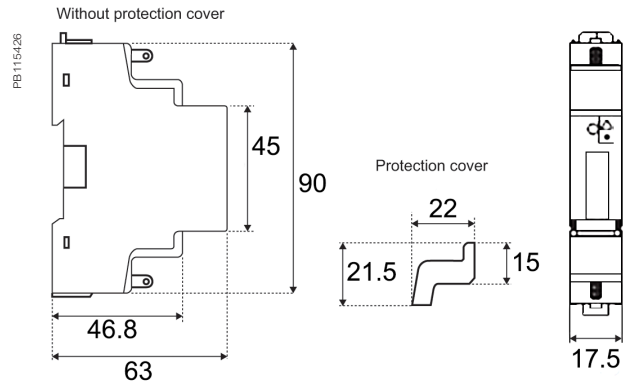
# Acti9 iEM2xxx range dimensions

## iEM2000/iEM2000T/iEM2010 dimensions



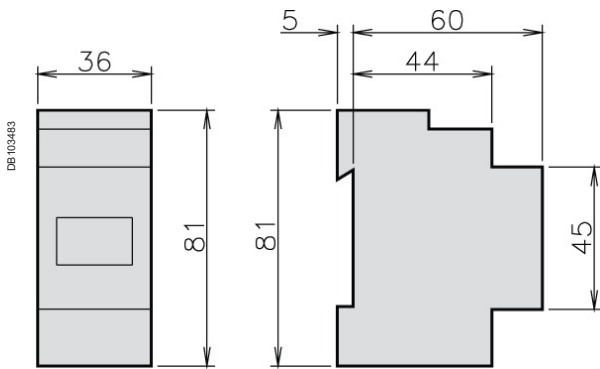
Maximum diameter power connection clamps 8 mm<sup>2</sup> (solid copper). See the appropriate product Installation Guide for complete instructions.

## iEM2050/iEM2055 dimensions

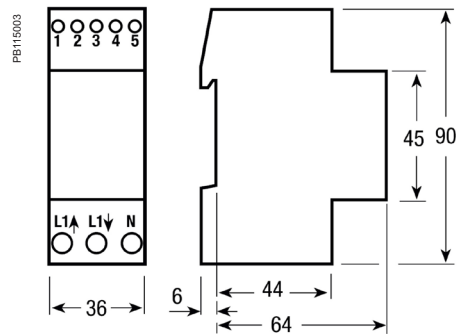


Maximum diameter power connection clamps 8 mm<sup>2</sup> (solid copper). See the appropriate product Installation Guide for complete instructions.

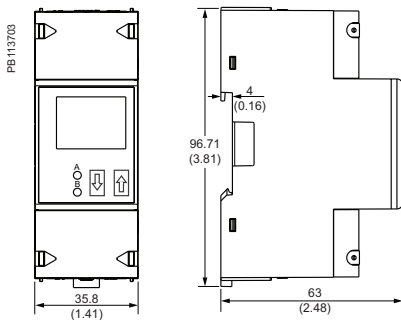
## iEM2100/iEM2105 dimensions



## iEM2110/iEM2135/iEM2150/iEM2155 dimensions



## iEM2435/iEM2455 dimensions



Please see the appropriate Installation Guide for accurate and complete information on the installation of this product.



## Acti9 iEM2xxx range commercial reference numbers

### iEM2000, iEM2100, iEM2400 series commercial/ordering reference numbers

Commercial reference number	Product description
A9MEM2000T	iEM2000T energy meter, Class 1, 230 V, 40 A, pulse output, no display
A9MEM2000	iEM2000 energy meter, Class 1, 230 V, 40 A, MID, electromechanical counter display
A9MEM2010	iEM2010 energy meter, Class 1, 230 V, 40 A, MID, pulse output, electromechanical counter display
A9MEM2050	iEM2050 power and energy meter, Class 1, 230 V, 45 A, RS-485, 2 tariffs, pulse output, LCD display
A9MEM2055	iEM2055 power and energy meter, Class 1, 230 V, 45 A, RS-485, MID, 2 tariffs, pulse output, LCD display
A9MEM2100	iEM2100 energy meter, Class 1, 230 V, 63 A, LCD display
A9MEM2105	iEM2105 energy meter, Class 1, 230 V, 63 A, pulse output, LCD display
A9MEM2110	iEM2110 power and energy meter, Class 1, 230 V, 63 A, MID, 2 tariffs, 2 pulse outputs, 4 quadrants, LCD display
A9MEM2135	iEM2135 power and energy meter, Class 1, 230 V, 63 A, M-Bus, MID, 2 tariffs, 4 quadrants, LCD display
A9MEM2150	iEM2150 power and energy meter, Class 1, 230 V, 63 A, RS-485, 4 quadrants, LCD display
A9MEM2155	iEM2155 power and energy meter, Class 1, 230 V, 63 A, RS-485, MID, 2 tariffs, 4 quadrants, LCD display
A9MEM2435	iEM2435 power and energy meter, Class 1, 230 V, 100 A, M-Bus, MID, 2 tariffs, 2 pulse outputs, 4 quadrants, LCD display
A9MEM2455	iEM2455 power and energy meter, Class 1, 230 V, 100 A, RS-485, MID, 2 tariffs, 2 pulse outputs, 4 quadrants, LCD display

See your Schneider Electric representative for complete ordering information.

# Acti9 iEM3000 Series

The Acti9 iEM3000 series energy meters is a cost-attractive, feature-rich energy metering offer for DIN rail, modular enclosures. With Modbus, BACnet, M-Bus and LON protocol support, you can easily integrate these meters into commercial and non-critical buildings to add simple energy management applications to any BMS, AMR or EMS system.

## Applications

### Cost management applications

- Bill checking to verify that you are only charged for the energy you use
- Sub-billing individual tenants for their energy consumption, including WAGES
- Aggregation of energy consumption, including WAGES, and allocating costs per area, per usage, per shift, or per time within the same facility

### Network management applications

- Basic metering of electrical parameters to better understand the behaviour of your electrical distribution system



A9MEM3135



A9MEM3150



A9MEM3255

More than just kWh meters, the Acti9 iEM3000 series meters provide a full view of both energy consumption and on-site generation with full four-quadrant measurement of active and reactive energy delivered and received. Additionally, extensive real-time measurements (V, I, P, PF) give customers greater detail on their energy usage, and multiple tariffs give customers the flexibility to match the billing structure of their utility.

### The solution for

All markets that can benefit from a solution that includes PowerLogic™ iEM3000 series meters:

- Buildings & industry
- Data centres and networks
- Infrastructure (airports, road tunnels, telecom)

### Benefits

Optimise your energy consumption & enable energy efficiency practices:

- Collect and analyse energy consumption data from each area for each type of load or circuit
- Gain an accurate understanding of business expenses by allocating the energy-related costs
- Identify energy savings opportunities and monitor continuously
- Use information to implement actions designed to reduce energy consumption

Monitor the energy consumption of your tenants or customers and establish accurate invoices:

- Drive energy-efficient behaviour
- Allow building owners to bill tenants for individual measured utility usage
- Give accurate and achievable objectives for energy savings

### Features

- Multi-line circuit: Measure individual phase energy in three phase network system
- Partial and Total energy: Separate counters for measuring active, reactive and apparent energy
- 4 Quadrant measurement: For measuring quadrant based power and energy
- Multi tariff energy: Upto 4 counters activated through RTC, digital inputs or command register
- Digital input/output: For status monitoring/tariff control and energy pulsing/overload alarm
- Demand measurement: Per-phase and average current, total power for active, reactive and apparent
- Current: Direct connected/ whole current with the option of 63 A or 125 A, 1 A or 5 A CT operated, LVCT or Rogowski coil supported
- Internal clock: Quartz crystal based back up by super capacitor

### Competitive advantages

- Compact size
- MID compliant (selected models) providing certified accuracy and data security
- Programmable digital inputs/outputs
- Multi-tariff capability
- Onboard Modbus, LON, M-Bus or BACnet communication\*
- Baud rate configurable
- Communication protection: enable or disable through communication
- A complete range of energy meters
- Compatible with Acti9 range
- Direct connect upto 125 A
- Password: configurable from 0-9999\*
- Pulse output: configurable pulse constant (imp/kWh), pulse width (ms)\*

### Energy management system:

To get the most effective use from your Schneider Electric measurement and metering devices, we offer a range of dedicated data loggers and gateways for your building energy management.

### Conformity of standards

- IEC 61557-12
- IEC 62053-21/22
- IEC 62053-23
- EN 50470-3
- EN 50470-1
- IEC/EN/UL 61010-1
- ANSI C12.20
- NMI 14/2/88\* and 14/2/89\*
- UL and CE certified
- CAN/CSA-C22.2

\* Available in selected references

# Acti9 iEM3000 Series

## Feature selection

Current Input/ Wh Accuracy	iEM3000 series Energy meters							
63 A Direct/ Class 1	iEM3100	iEM3115	iEM3110	iEM3135	iEM3150	iEM3155	iEM3165	iEM3175
1 A or 5 A CT/ Class 0.5S	iEM3200	iEM3215	iEM3210	iEM3235	iEM3250	iEM3255	iEM3265	iEM3275
125 A Direct/ Class 1	iEM3300		iEM3310	iEM3335	iEM3350	iEM3355	iEM3365	iEM3375
1/3rd or 1 V LVCT/ Class 0.5S						iEM3455	iEM3465	
Rogowski coil/ Class 0.5S						iEM3555	iEM3565	
<b>Communication Protocol</b>								
Modbus					■	■		
M-Bus				■				
BACnet							■	
LonWorks								■
<b>Measurement (Integrated)</b>								
Active energy - Total and Partial energy	■	■	■	■	■	■	■	■
4 Quadrant Active, Reactive energy and Apparent energy				■		■	■	■
MID compliant (Wh)		■	■	■		■	■	■
Demand (per-ph & average current, total power for P Q S)						■	■	
Peak Demand (per-ph & average current, total power for P Q S)						■	■	
<b>Measurement (Instantaneous)</b>								
Voltage				■	■	■	■	■
Current				■	■	■	■	■
Power - P Q S				■	■	■	■	■
Power factor				■	■	■	■	■
Frequency				■	■	■	■	■
<b>Multi-Tariff, control by</b>								
Internal clock		4		4		4	4	4
Digital Inputs		4		2		2	2	2
Communication		-		4		4	4	4
<b>Digital inputs</b>								
For Status, Tariff control or Input monitoring				1		1	1	1
Tariff control only		2						
<b>Digital outputs</b>								
Energy pulsing or Overload alarm				1		1	1	
Pulse output only			1					
<b>Internal clock</b>								
Quartz crystal based		■		■		■	■	■
Date/time format (DD-MMM-YYYY/hh:mm)		■		■		■	■	■
<b>Commercial reference</b>								
Commercial References/ordering references	A9MEM3100 A9MEM3200 A9MEM3300	A9MEM3115 A9MEM3215	A9MEM3110 A9MEM3210 A9MEM3310	A9MEM3135 A9MEM3235 A9MEM3335	A9MEM3150 A9MEM3250 A9MEM3350	A9MEM3155 A9MEM3255 A9MEM3355 A9MEM3455 A9MEM3555	A9MEM3165 A9MEM3265 A9MEM3365 A9MEM3465 A9MEM3565	A9MEM3175 A9MEM3275 A9MEM3375

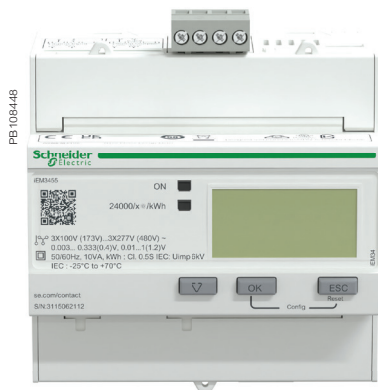
See your Schneider Electric representative for complete ordering information.

# Acti9 iEM3000 Series

## Technical Specifications

		iEM31xx	iEM32xx	iEM33xx	iEM34xx	iEM35xx	
Width		18 mm x 5	18 mm x 5	18 mm x 7	18 mm x 5	18 mm x 5	
Wiring type (scheme)		3PH3W, 3PH4W, 1PH2W L-N, 1PH2W L-L, 1PH3W L-L-N					
Operating Temperature		-25°C to 55°C/ (-13 °F to 131 °F) -40°C to 70°C/ (-40 °F to 158 °F) for non MID variants			-25°C to 70°C (-13 °F to 158 °F)		
Storage temperature		-40 °C to 85 °C (-40 °F to 185 °F)			-40 °C to 85 °C (-40 °F to 185 °F)		
Wiring capacity		16 mm <sup>2</sup>	6 mm <sup>2</sup> for I and 4 mm <sup>2</sup> for V	50 mm <sup>2</sup>	6 mm <sup>2</sup> for I and 4 mm <sup>2</sup> for V		
LCD display		99999999.9 kWh	99999999.9 kWh / MWh	99999999.9 kWh	99999999.9 kWh / MWh		
IP Protection		IP40 front, IP20 casing					
Over voltage and measurement		Category III, Pollution Degree 2					
Operating Voltage		3 x 100/173 V AC to 3 x 277/480 V AC (50/60 Hz)					
Operating Current		0.5 A to 63 A	20 mA to 6 A	1 A to 125 A	0.022 V to 0.4 V (0.333 V <i>I<sub>nom</sub></i> ) or 0.05 V to 1.2 V (1 V <i>I<sub>nom</sub></i> ) LVCTs	50 to 5000 A Rogowski Coil	
Altitude		< 3000 m (9842 ft)					
Humidity		5% – 95%					
Voltage inputs	Measured voltage	Wye: 100 - 277 V L-N, 173 - 480 V L-L ±20% Delta: 173 - 480 V L-L ±20%					
	Overload	332 V L-N or 575 V L-L					
	Impedance	3 MΩ	3 MΩ	6 MΩ	3 MΩ		
	Frequency	50 / 60 Hz ±10%					
	Measurement category	III					
	Minimum wire temperature rating required	90 °C (194 °F)	90 °C (194 °F)	105 °C (221 °F)	90 °C (194 °F)		
	Maximum device consumption	-	< 10 VA	-	< 10 VA		
	Wire	16 mm <sup>2</sup> / 6 AWG	2.5 mm <sup>2</sup> / 14 AWG	50 mm <sup>2</sup> / 1 AWG	2.5 mm <sup>2</sup> / 14 AWG		
	Wire strip length	11 mm / 0.43 in	8 mm / 0.31 in	13 mm / 0.5 in	8 mm / 0.31 in		
	Torque	1.8 Nm / 15.9 in•lb	0.5 Nm / 4.4 in•lb	3.5 Nm / 30.9 in•lb	0.5 Nm / 4.4 in•lb		
Current inputs	Nominal current	-	1 A or 5 A	-	-	-	
	Measured current	0.5 A to 63 A	20 mA to 6 A	1 A to 125 A	-	-	
	Withstand	10 A continuous, 20 A at 10 sec/hr				-	-
	Minimum wire temperature rating required	-	90 °C (194 °F)	-	90 °C (194 °F)		
	Impedance	< 0.3 mΩ	< 1 mΩ	< 0.2 mΩ	-	-	
	Frequency	50 / 60 Hz ±10%					
	Burden	< 10 VA at 63 A	< 0.036 VA at 6 A	< 10 VA at 125 A			
	Wire	16 mm <sup>2</sup> / 6 AWG	6 mm <sup>2</sup> / 10 AWG	50 mm <sup>2</sup> / 1 AWG	6 mm <sup>2</sup> / 10 AWG		
	Wire strip length	11 mm / 0.43 in	8 mm / 0.31 in	13 mm / 0.5 in	8 mm / 0.31 in		
	Torque	1.8 Nm / 15.9 in•lb	0.8 Nm / 7.0 in•lb	3.5 Nm / 30.9 in•lb	0.8 Nm / 7.0 in•lb		
	Split-core LVCTs	-	-	-	0.333 V or 1 V nominal		
	Rogowski Coil	-	-	-	U018 Series of Rogowski Coils (up to 5000 A)		
	Minimum wire temperature rating required	-	-	-	90 °C (194 °F)		

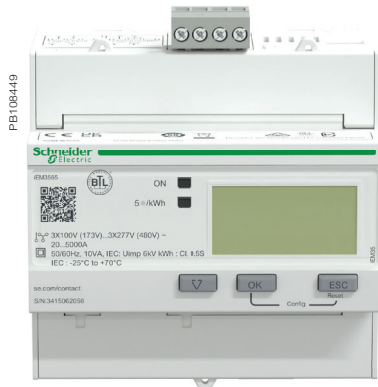
# Acti9 iEM3000 Series



A9MEM3455



LVCT00102S



A9MEM3565



METSECTR25500

Recommended\* Schneider make Split-core LVCT for iEM3455 and iEM3465

Part Number	Sensing Current	Frequency	Output
LVCT00102S	100A	50/60Hz	0 to 1/3V
LVCT00202S	200A	50/60Hz	0 to 1/3V
LVCT00302S	300A	50/60Hz	0 to 1/3V
LVCT00403S	400A	50/60Hz	0 to 1/3V
LVCT00603S	600A	50/60Hz	0 to 1/3V
LVCT00803S	800A	50/60Hz	0 to 1/3V
LVCT00804S	800A	50/60Hz	0 to 1/3V
LVCT01004S	1000A	50/60Hz	0 to 1/3V
LVCT01204S	1200A	50/60Hz	0 to 1/3V
LVCT01604S	1600A	50/60Hz	0 to 1/3V
LVCT02004S	2000A	50/60Hz	0 to 1/3V
LVCT02404S	2400A	50/60Hz	0 to 1/3V
LVCT00050S	50A	50/60Hz	0 to 1/3V
LVCT00101S	100A	50/60Hz	0 to 1/3V
LVCT00201S	200A	50/60Hz	0 to 1/3V

\* Split core LVCT with 1 V output can also be used.

Rogowski Coil for iEM3555 and iEM3565

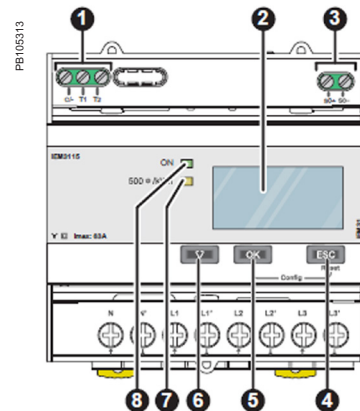
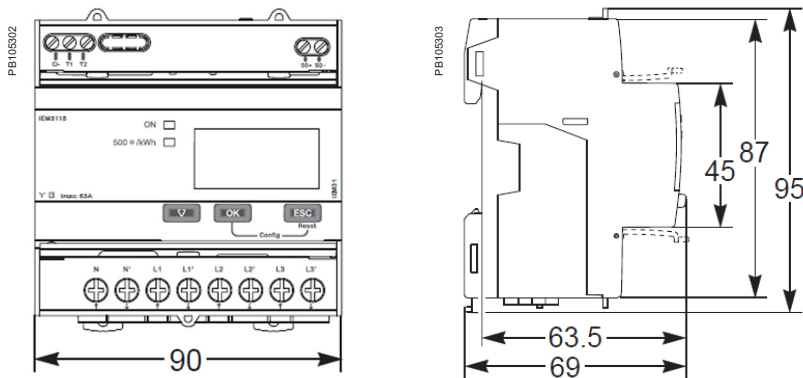
Part Number	Sensing Current	Frequency	Lead length (m)	Approximate Inside Diameter (mm)
METSECTR25500	5000A	50/60Hz	2.35	80
METSECTR30500	5000A	50/60Hz	2.35	96
METSECTR46500	5000A	50/60Hz	2.35	146
METSECTR60500	5000A	50/60Hz	2.35	191
METSECTR90500	5000A	50/60Hz	2.35	287

## Measurement accuracy

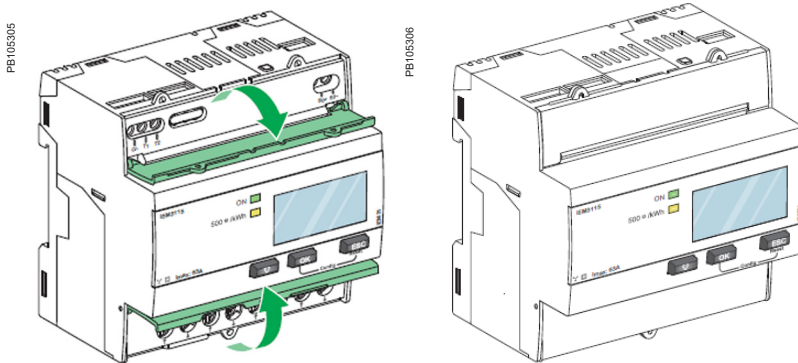
		As per IEC62053-21/22/23	As per IEC61557-12	As per EN50470-3	Current range of operation
iEM31xx	Active energy	Class 1 (IEC62053-21)	Class 1 (PMD DD)	Class B	$I_{max}=63$ A, $I_{ref}=10$ A, $I_{min}=0.5$ A, and $I_{st}=0.04$ A
	Reactive energy	Class 2 (IEC62053-23)	Class 2 (PMD DD)	-	$I_{max}=63$ A, $I_b=10$ A, and $I_{st}=0.05$ A
iEM33xx	Active energy	Class 1 (IEC62053-21)	Class 1 (PMD DD)	Class B	$I_{max}=125$ A, $I_{ref}=20$ A, $I_{min}=1$ A, and $I_{st}=0.08$ A
	Reactive energy	Class 2 (IEC62053-23)	Class 2 (PMD DD)	-	$I_{max}=125$ A, $I_b=20$ A, and $I_{st}=0.1$ A
iEM32xx (x / 1 A Current input)	Active energy	Class 1 (IEC62053-21)	Class 1 (PMD SD, PMD Sx)	-	$I_{max}=1.2$ A, $I_{nom}=1$ A, and $I_{st}=0.002$ A
	Reactive energy	Class 2 (IEC62053-23)	Class 2 (PMD Sx)	-	$I_{max}=1.2$ A, $I_{nom}=1$ A, and $I_{st}=0.003$ A
iEM32xx (x / 5 A Current input)	Active energy	Class 0.5S (IEC62053-22)	Class 1 (PMD SD, PMD Sx)	Class C	$I_{max}=6$ A, $I_{nom}=5$ A, and $I_{st}=0.005$ A
	Reactive energy	Class 2 (IEC62053-23)	Class 2 (PMD Sx)	-	$I_{max}=6$ A, $I_{nom}=5$ A, and $I_{st}=0.015$ A
iEM34xx (LVCT, 0.333/1.0 V at $I_{nom}$ ) Field selectable	Active energy	$\pm 1\%$	-	-	Low voltage output for 0.333 V LVCT, $I_{max}=0.399$ V, $I_{nom}=0.333$ V, and $I_{min}=0.022$ V
	Reactive energy	$\pm 2\%$	-	-	
iEM35xx (from 50 A to 5000 A)	Active energy	$\pm 1\%$	-	-	$I_{max}=5000$ A, $I_{min}=50$ A
	Reactive energy	$\pm 2\%$	-	-	

# Acti9 iEM3000 Series dimensions

## iEM3000/iEM3200 series dimensions



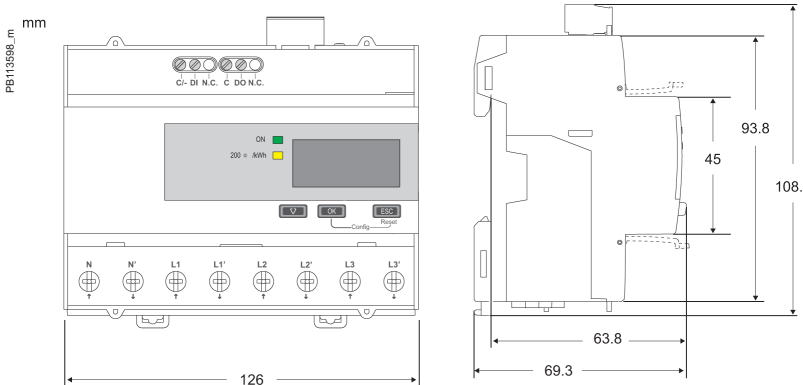
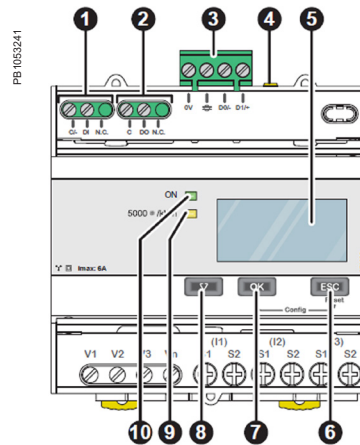
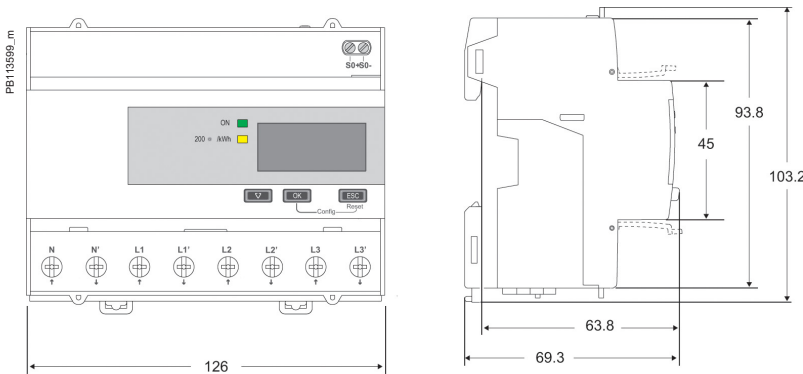
## Acti9 iEM3100/iEM3200 Series front flaps open and closed



### Acti9 iEM3000 Series parts

1. Digital inputs for tariff control (iEM3115 / iEM3215)
2. Display for measurement and configuration
3. Pulse out for remote transfer (iEM3110 / iEM3210)
4. ESC Cancellation
5. OK Confirmation
6. Selection
7. Flashing yellow meter indicator to check accuracy
8. Green indicator: on/off, error

## iEM3300 series dimensions



### Acti9 iEM3000 Series parts

1. Digital inputs for tariff control (iEM3115 / iEM3215)
2. Display for measurement and configuration
3. Pulse out for remote transfer (iEM3110 / iEM3210)
4. ESC Cancellation
5. OK Confirmation
6. Selection
7. Flashing yellow meter indicator to check accuracy
8. Green indicator: on/off, error

Please see the appropriate *Installation Guide* for accurate and complete information on the installation of this product.

# PM3000 series

The PowerLogic™ PM3000 series power meters are a cost-attractive, feature-rich range of DIN rail-mounted power meters that offers all the measurement capabilities required to monitor an electrical installation.

Ideal for power metering and network monitoring applications that seek to improve the availability and reliability of your electrical distribution system, the meters are also fully capable of supporting sub-metering and cost allocation applications.

## Applications

### Cost management applications

- Bill checking to verify that you are only charged for the energy you use
- Aggregation of energy consumption, including WAGES, and cost allocation per area, per usage, per shift or per time within the same facility
- Energy cost and usage analysis per zone, per usage or per time period to optimise energy usage

### Network management applications

- Metering of electrical parameters to better understand the behaviour of your electrical distribution system



PM3200



PM3250



### The solution for

All markets that can benefit from a solution that includes PowerLogic™ PM3000 series meters:

- Buildings
- Industry
- Data centres and networks
- Infrastructure (e.g. airports, road tunnels, telecom)

### Benefits

Optimise your energy consumption & enable energy efficiency practices

- Collect and analyse energy consumption data from each area for each type of load or circuit
- Gain an accurate understanding of business expenses by allocating the energy-related costs
- Identify savings opportunities
- Use information to implement actions designed to reduce energy consumption

### Competitive advantages

Connectivity advantages

- Programmable digital input
    - External tariff control signal (4 tariff)
    - Remote reset partial counter
    - External status like breaker status
    - Collect WAGES pulses
  - Programmable digital output
    - Alarm (PM3255)
    - KWh pulses
  - Graphic LCD display
  - Modbus RS-485 with screw terminals
- Multi-tariff capability  
The PM3000 series allows users to arrange KWh consumption in four different registers. This can be controlled by:
- Digital inputs. Signal can be provided by PLC or utilities
  - Internal clock programmable by HMI
  - Through communication

This function allows users to:

- Make tenant metering for dual source applications to differentiate backup source or utility source
- Understand well the consumption during peak time and off-peak time, weekdays and weekends, holiday and working days etc.
- Follow up feeders consumption in line with utility tariff rates

### Power management solutions

Schneider Electric provides innovative power management solutions to increase your energy efficiency and cost savings, maximise electrical network reliability and availability, and optimise electrical asset performance.

### Conformity of standards

- |                |                |
|----------------|----------------|
| • IEC 61557-12 | • IEC 62053-23 |
| • IEC 61326-1  | • EN 50470-1   |
| • IEC 62052-11 | • EN 50470-3   |
| • IEC 62053-21 | • IEC 61010-1  |
| • IEC 62053-22 | • EN 55022     |

# PM3000 series

## PM3000 series feature selection

	PM3200	PM3210	PM3250	PM3255
<b>Performance standard</b>				
IEC61557-12 PMD/Sx/K55/0.5	■	■	■	■
<b>General</b>				
Use on LV and HV systems	■	■	■	■
Number of samples per cycle	32	32	32	32
CT input 1A/5A	■	■	■	■
VT input	■	■	■	■
Multi-tariff	4	4	4	4
Multi-lingual backlit display	■	■	■	■
<b>Instantaneous rms values</b>				
Current, voltage Per phase and average	■	■	■	■
Active, reactive, apparent power Total and per phase	■	■	■	■
Power factor Total and per phase	■	■	■	■
<b>Energy values</b>				
Active, reactive and apparent energy; import and export	■	■	■	■
<b>Demand value</b>				
Current, power (active, reactive, apparent) demand; present	■	■	■	■
Current, power (active, reactive, apparent) demand; peak		■	■	■
<b>Power quality measurements</b>				
THD Current and voltage		■	■	■
<b>Data recording</b>				
Min/max of the instantaneous values	■	■	■	■
Power demand logs				■
Energy consumption log (day, week, month)				■
Alarms with timestamping		5	5	15
Digital inputs/digital outputs		0/1		2/2
<b>Communication</b>				
RS-485 port			■	■
Modbus protocol			■	■
Commercial reference number	METSEPM3200	METSEPM3210	METSEPM3250	METSEPM3255

See your Schneider Electric representative for complete ordering information.

# PM3000 series



PowerLogic™ PM3200 front view



PowerLogic™ PM3250 front view

## PM3000 technical specifications

Type of measurement	True rms up to the 15th harmonic on three-phase (3P,3P+N) and single-phase AC systems. 32 samples per cycle
<b>Measurement accuracy</b>	
Current with x/5A CTs	0.3 % from 0.5 A to 6 A
Current with x/1A CTs	0.5 % from 0.1 A to 1.2 A
Voltage	0.3 % from 50 V to 330 V (Ph-N), from 80 V to 570 V (Ph-Ph)
Power factor	±0.005 from 0.5 A to 6 A with x/5 A CTs; from 0.1 A to 1.2 A with x/1 A CTs and from 0.5 L to 0.8 C
Active/Apparent Power with x/5A CTs	Class 0.5
Active/Apparent Power with x/1A CTs	Class 1
Reactive power	Class 2
Frequency	0.05 % from 45 to 65 Hz
Active energy with x/5A CTs	IEC 62053-22 Class 0.5s
Active energy with x/1A CTs	IEC 62053-21 Class 1
Reactive energy	IEC 62053-23 Class 2
<b>Data update rate</b>	
Update rate	1s
<b>Input-voltage characteristics</b>	
Measured voltage	50 V to 330 V AC (direct / VT secondary Ph-N) 80 V to 570 V AC (direct / VT secondary Ph-Ph) up to 1 MV AC (with external VT)
Frequency range	45 Hz to 65 Hz
<b>Input-current characteristics</b>	
CT primary	Adjustable from 1 A to 32767 A
CT secondary	1 A or 5 A
Measurement input range with x/5A CTs	0.05 A to 6 A
Measurement input range with x/1A CTs	0.02 A to 1.2 A
Permissible overload	10 A continuous, 20 A for 10s/hour
<b>Control Power</b>	
AC	100/173 to 277/480 V AC (+/-20%), 3 W/5 VA; 45 Hz to 65 Hz
DC	100 to 300 V DC, 3 W
<b>Input</b>	
Digital inputs (PM3255)	11 to 40 V DC, 24 V DC nominal, <=4mA maximum burden, 3.5kVrms insulation
<b>Output</b>	
Digital output (PM3210)	Optocoupler, polarity sensitive, 5 to 30 V, 15 mA max, 3.5kVrms insulation
Digital outputs (PM3255)	Solid state relay, polarity insensitive, 5 to 40 V, 50 mA max, 50 Ω max, 3.5kVrms insulation

# PM3000 series

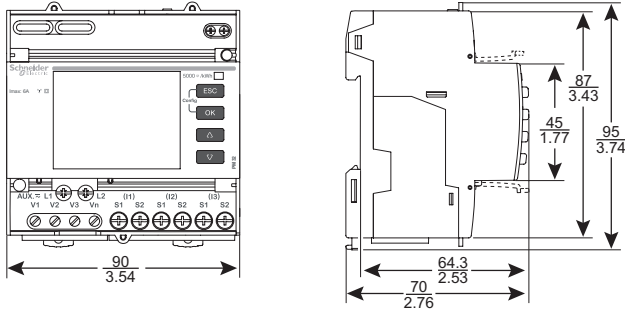
## PM3000 technical specifications

Mechanical characteristics	
Weight	0.26 kg
IP degree of protection (IEC 60529)	IP40 front panel, IP20 meter body
Dimension	90 x 95 x 70 mm
Environmental conditions	
Operating temperature	-25 °C to 55 °C
Storage temperature	-40 °C to 85 °C
Humidity rating	5 to 95% RH at 50 °C (non-condensing)
Pollution degree	2
Metering category	III, for distribution systems up to 277/480 V AC
Dielectric withstand	As per IEC61010-1, Doubled insulated front panel display
Altitude	3000 m max
Electromagnetic compatibility	
Electrostatic discharge	Level IV (IEC 61000-4-2)
Immunity to radiated fields	Level III (IEC 61000-4-3)
Immunity to fast transients	Level IV (IEC 61000-4-4)
Immunity to surge	Level IV (IEC 61000-4-5)
Conducted immunity	Level III (IEC 61000-4-6)
Immunity to power frequency magnetic fields	0.5mT (IEC 61000-4-8)
Conducted and radiated emissions	Class B (EN 55022)
Safety	
	CE as per IEC 61010-1★
Communication	
RS-485 port	Half duplex, from 9600 up to 38400 baud, Modbus RTU (double insulation)
Display characteristics	
Dimensions (VA)	43 mm x 34.6 mm
Display resolution	128 x 96 dots
Standard compliance	
	IEC 61557-12, EN 61557-12 IEC 61010-1, UL 61010-1 IEC 62052-11, IEC 62053-21, IEC 62053-22, IEC 62053-23 EN 50470-1, EN 50470-3

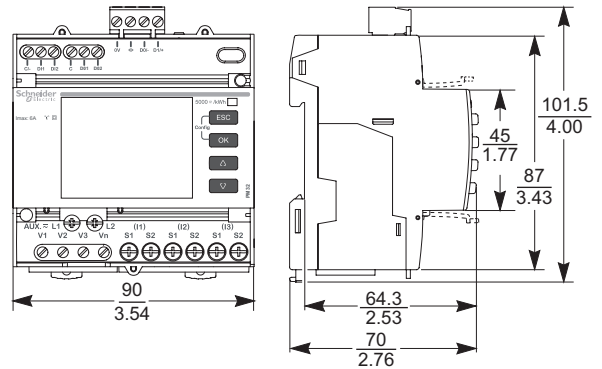
★ Protected throughout by double insulation

# PM3000 dimensions

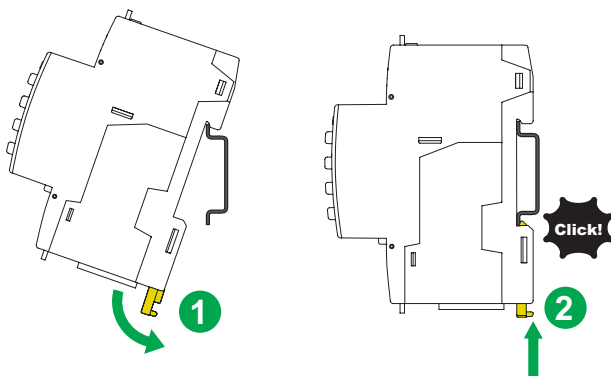
## PM3200/PM3210 dimensions



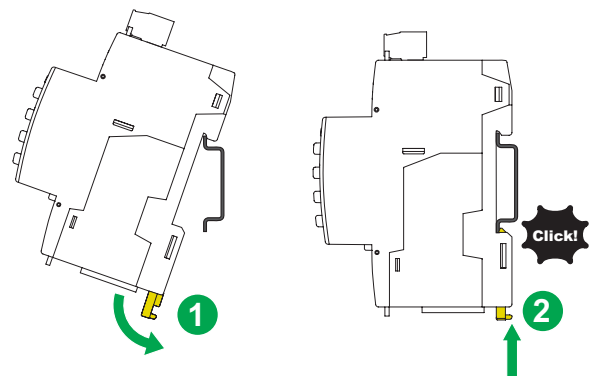
## PM3250/PM3255 dimensions



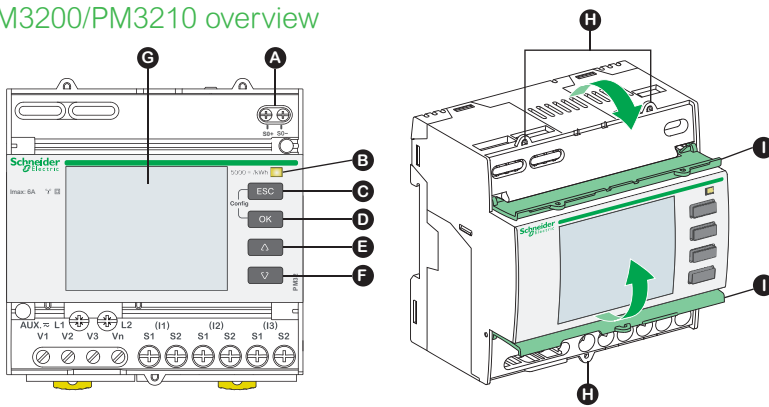
## PM3200/PM3210 mounting



## PM3250/PM3255 mounting

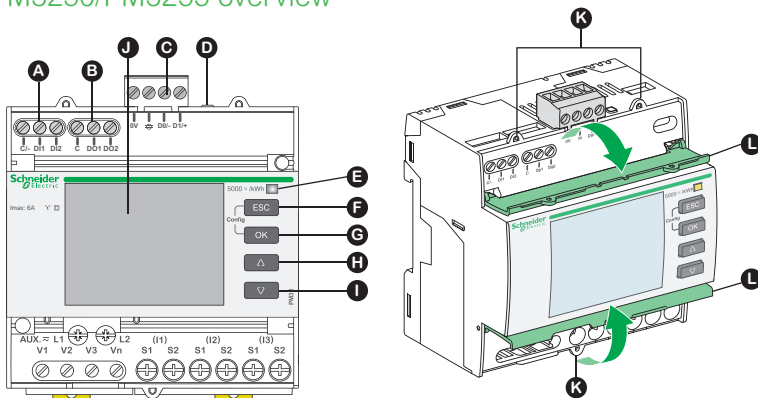


## PM3200/PM3210 overview



- A Pulse output for remote transfer (PM3210)
- B Energy pulse LED (5000 / kWh)
- C Cancellation
- D Confirmation
- E Up
- F Down
- G Display with white backlight
- H Sealing points
- I Sealable covers

## PM3250/PM3255 overview



- A Digital inputs x 2 (PM3255)
- B Digital outputs x 2 (PM3255)
- C Communications port
- D Communications LED
- E Energy pulse LED (5000 / kWh)
- F Cancellation
- G Confirmation
- H Up
- I Down
- J Display with white backlight
- K Sealing points
- L Sealable covers

Please see the appropriate **Installation Guide** for accurate and complete information on the installation of this product.



# PowerLogic™ PowerTag Energy series

PowerTag Energy is a wireless-communication energy sensor.

PowerTag Energy is designed specifically for Energy Management, Load Monitoring and Power Availability applications. Associated to a concentrator or a gateway, PowerTag Energy provides a full wireless class 1 solution to monitor energy at any level of a distribution panel.

Applications:

- Monitors your electrical installation from main incomer down to load level
- Suitable for various businesses, buildings, industrial and residential applications with easy integration in upper systems
- Supports and enables Energy Efficiency programs and standards such as:
  - European Energy Efficiency Directive (EED)
  - Energy Performance of Buildings Directive (EPBD)
  - IEC 60364-8-1 “Low Voltage Electrical installations - Energy Efficiency”
  - EN 17267 “Energy Measurement and Monitoring plan”
  - ISO 50001 “Energy Management System”



PowerTag Energy Flex 63 A (F63)



PowerTag Energy PhaseNeutral 63 A (P63)



PowerTag Energy Flex 160 A (F160)



PowerTag Energy Monoconnect 63 A (M63)



PowerTag Energy Monoconnect 250 A (M250)



PowerTag Energy Rope 2000 A (R2000)



PowerTag Energy

## The solution for

Markets that benefit from a solution that includes PowerLogic™ PowerTag Energy series:

- Residential
- Small business
- Medium & large buildings
- Industrial sites

## Benefits

PowerTag Energy sensor incorporates all features required to perform accurate real-time measurements (U, V, I, P, PF) and energy values up to 2000 A.

Different designs of PowerTag Energy are available to ensure it fits the protective device on which it is mounted.

- PowerTag Energy Monoconnect (M): can be mounted directly on the device, no additional wiring is required
- PowerTag Energy PhaseNeutral (P): for DIN offers with 9 mm pitch between phase and neutral
- PowerTag Energy Flex (F): can be mounted on a wide range of protective devices thanks to its design
- PowerTag Energy Rope (R) thanks to its openable current sensors can be easily installed on busbars or wires in new installations and in retrofit applications

PowerTag Energy sensor is acting as an autonomous meter. Energy counters are stored inside PowerTag Energy sensor.

## Energy management system

To get the most effective use from your Schneider Electric measurement and metering devices, we offer a range of dedicated gateways / concentrators depending on your application.

## Advantages

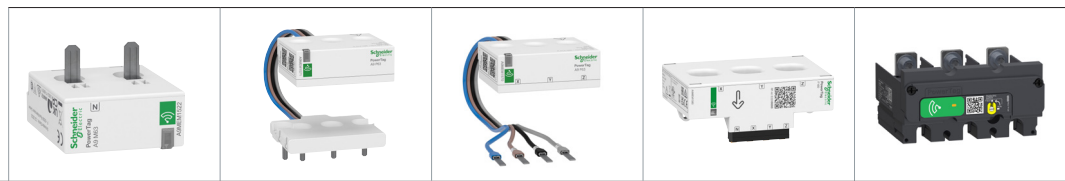
- Wireless-communication
- Range up to 2000 A
- Voltage loss alarming
- Class 1 accuracy
- Compact design
- Easy installation and commissioning
- Scalable solution
- Perfect for retrofit or new panels

## Conformity of standards

- IEC 61557-12
- IEC 61010-1
- IEC 61010-2-030
- IEC 61326-1 (Industrial Environment)
- IEC 62311
- ETSI EN 300 328
- ETSI EN 301 487-1
- ETSI EN 301 489-17 (Radiated EMC)

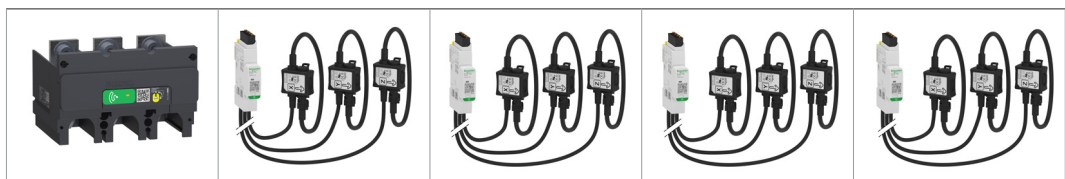


## Feature selection



	A9MEM15**	A9MEM15**	A9MEM15**	A9MEM1580	LV434020/LV434021
Product name	M63	P63	F63	F160	M250
Max current (I Max) A	63	63	63	160	250
Starting current (Ist)	40 mA	40 mA	40 mA	100 mA	160 mA
Design	Monoconnect	PhaseNeutral	Flex	Flex	Monoconnect
Mounting type	On device	On device	On wires	On wires	On device
Current sensors type	Solid core	Solid core	Solid core	Solid core	Solid core
Poles	1P + W / 1P+N / 3P / 3P+N	1P+N / 3P+N	1P+N / 3P / 3P+N	3P / 3P+N	3P / 3P+N
Self-powered	■	■	■	■	■
Voltage (L-N)	Depends on ref	200 - 240 V AC	Depends on ref	100 - 277 V AC	230 V AC
<b>Measurements*</b>					
Nb quadrant	2	2	2	4	4
Active Energy	Class 1	Class 1	Class 1	Class 1	Class 1
Reactive Energy				■	■
Apparent Energy				■	
Active Power	■	■	■	■	■
Reactive Power				■	■
Apparent Power	■	■	■	■	■
Power Factor	■	■	■	■	■
Frequency				■	■
Current and Voltage	■	■	■	■	■

\* Data availability depending on the concentrator / gateway



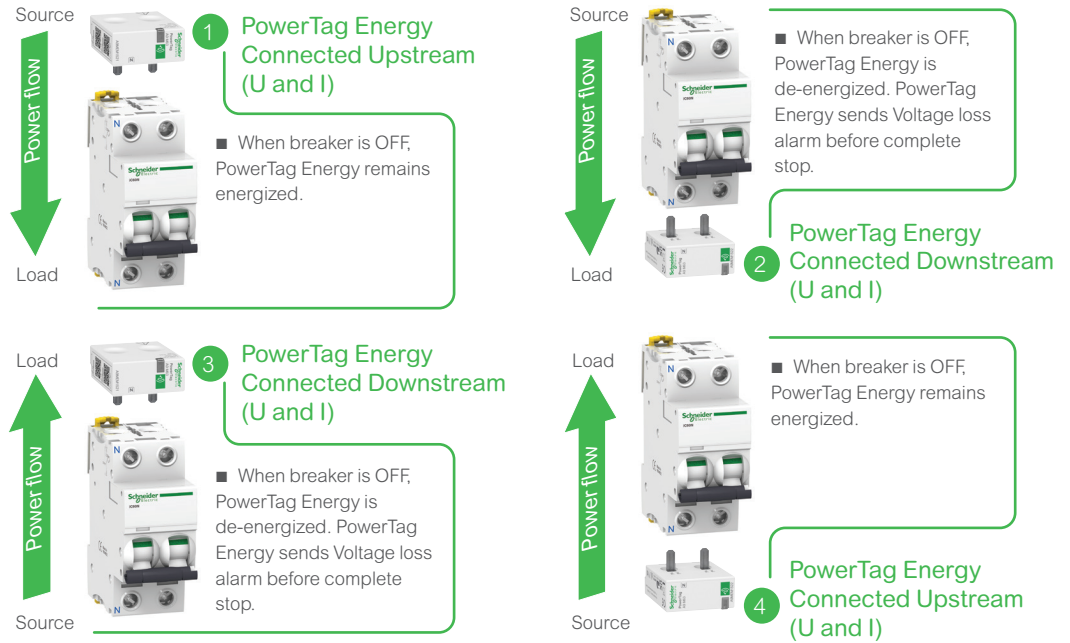
	LV434022/LV434023	A9MEM1590	A9MEM1591	A9MEM1592	A9MEM1593
Product name	M630	R200	R600	R1000	R2000
Max current (I Max) A	630	200	600	1000	2000
Starting current (Ist)	400 mA	120 mA	400 mA	600 mA	1.2 A
Design	Monoconnect	Rope	Rope	Rope	Rope
Mounting type	On device	On wires	On wires	On wires	On wires
Current sensors type	Solid core	Split core	Split core	Split core	Split core
Poles	3P / 3P+N	3P / 3P+N	3P / 3P+N	3P / 3P+N	3P / 3P+N
Self-powered	■	■	■	■	■
Voltage (L-N)	230 V AC	100 - 277 V AC	100 - 277 V AC	100 - 277 V AC	100 - 277 V AC
<b>Measurements*</b>					
Nb quadrant	4	4	4	4	4
Active Energy	Class 1	Class 1	Class 1	Class 1	Class 1
Reactive Energy	■	■	■	■	■
Apparent Energy				■	■
Active Power	■	■	■	■	■
Reactive Power	■	■	■	■	■
Apparent Power	■	■	■	■	■
Power Factor	■	■	■	■	■
Frequency	■	■	■	■	■
Current and Voltage	■	■	■	■	■

\* Data availability depending on the concentrator / gateway





## Connection possibilities



**Note:**

- In association with a contactor, a Variable Speed Drive or a motor starter: PowerTag Energy can ONLY be installed UPSTREAM these devices.
- Some PowerTag Energy can be installed either on the TOP or on the BOTTOM of the protective devices.
- Check the possible mounting position as indicated in the "Catalog numbers" chapter.

Connection (Voltage and Current)	Features
<b>Upstream</b>	<ul style="list-style-type: none"> <li>1 • Energy management: consumption in kWh</li> <li>4 • Load monitoring: real-time measurements</li> </ul>
<b>Downstream</b> Preferred installation to take full benefit of voltage loss alarming in diagnosing the load	<ul style="list-style-type: none"> <li>2 • Energy management: consumption in kWh</li> <li>3 • Load monitoring: real-time measurements</li> <li>• Power availability: voltage loss alarming</li> </ul>

## Main associated concentrators / gateways (\*)

For Commercial & Building applications		
 PE 119868 A9XMWD20	 PAS600	 Wireless Panel Server for PrismaSeT Active
For Small Business applications	For Residential applications	For Industrial applications
 A9XELC10	 EER31800	 ZBRN1, ZBRN2, ZBRN32

(\*) Refer to Selection Guide for complete compatibility pages 85 to 95.



# PowerLogic™ PowerTag Energy 63 A

IEC 61557-12 PMD-I/DD/K55/1

As per the above standard:

With its compact design and innovative concept, PowerTag Energy 63 A fits directly on the protective device and as a result has no impact on DIN rail occupancy and switchboard size.

It is therefore well adapted to be mounted from head of group down to final circuits.

Since voltage and current are measured directly at the same point on the circuit to be monitored, it provides accurate measurement and relevant information such as voltage loss.

PowerTag Energy is compatible with SE product ranges as per the selection guide CA908058.

## Main characteristics

PowerTag Energy measures the following values in accordance with the IEC 61557-12 standard PMD-I/DD/K55/1:

- Energy:
  - Active energy (kWh): total and partial, delivered and received.
- Real-time measurement values:
  - Voltages (V): phase-to-phase and phase-to-neutral.
  - Currents (A): per phase.
  - Power:
    - Active power (W): total and per phase.
    - Apparent power (VA): total.
  - Power factor.
- Voltage loss alarms:
  - PowerTag Energy sends a “voltage loss” alarm and the current-per-phase value before being de-energized.
  - At “voltage loss”, PowerTag Energy adds an overload alarm if the current is higher than the rated current of the associated protective device.

Note: Functions listed above depends on Concentrator/Gateway.



PowerTag Energy  
Monoconnect 63 A (M63)



PowerTag Energy  
PhaseNeutral 63 A (P63)



PowerTag Energy  
Flex 63 A (F63)

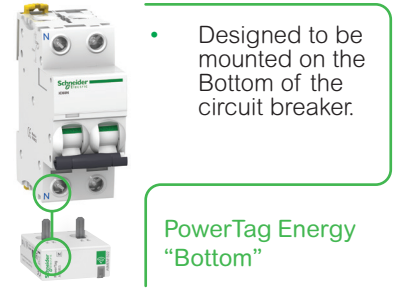


## Product selection

### Neutral position

Some references of PowerTag Energy 63 A (Monoconnect and PhaseNeutral) exist in Top or Bottom version.

This is linked to the position of the neutral of the PowerTag Energy.



#### Note:

- Some PowerTag Energy can be installed either on the TOP or on the BOTTOM of the protective devices.
- Check the possible mounting position as indicated in the “Catalog numbers” chapter.
- In association with a contactor, a Variable Speed Drive or a motor starter: PowerTag Energy can ONLY be installed UPSTREAM these devices.

### Number of poles

Choose the PowerTag Energy according to the number of poles of the protective device: one PowerTag Energy per protective device.

Ex.: 3 Pole PowerTag Energy 63 A for a 3 pole CB.





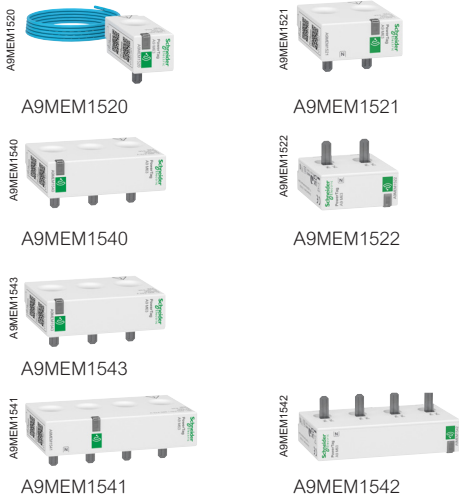
# PowerLogic™ PowerTag Energy 63 A

## Technical specifications

Main characteristics				
Rated voltage	1P+N / 1P+W	Un	Phase-to-neutral	200... 240 V AC ± 20 %
	3P	Un	Phase-to-phase	380... 415 V AC ± 20 %
	3P+N	Un	Phase-to-neutral	220... 240 V AC ± 20 %
			Phase-to-phase	380... 415 V AC ± 20 %
	A9MEM1543	Un	Phase-to-phase	200... 240 V AC ± 20 %
	A9MEM1564	Un	Phase-to-neutral	100... 127 V AC ± 20 %
	A9MEM1574	Un	Phase-to-neutral	120... 137 V AC ± 20 %
Phase-to-phase			208... 240 V AC ± 20 %	
Frequency				50/60 Hz
Maximum current		I <sub>max</sub>		63 A
Basic current		I <sub>b</sub>		10 A
Saturation current				130 A
Maximum consumption			1P+N	≤ 1 VA
			3P/3P+N	≤ 2 VA
Starting current		I <sub>st</sub>		40 mA
Additional characteristics				
Operating temperature				-25°C to +60°C
Storage temperature				-40°C to +85°C
Overvoltage category			As per IEC 61010-1	Cat. III
Measuring category			As per IEC 61010-2-030	Cat. III
Pollution degree				3
Altitude				≤ 2000 m
Degree of protection			Device only	IP20
			IK	05
Radio-frequency communication				
ISM band 2.4 GHz				2.4 GHz to 2.4835 GHz
Channels			As per IEEE 802.15.4	11 to 26
Isotropic Radiated Power			Equivalent (EIRP)	0 dBm
Maximum transmission time				< 5 ms
Channel occupancy			Messages sent every	5 seconds minimum
Characteristics of measuring functions				
Function	Symbol	Performance category as per IEC 61557-12 (PMD-I/DD/K55/1)		Device measuring range
		Class		
Active power	P	1		9 W to 63 kW
Active energy	E <sub>a</sub>	1		Total and partial 0 to 99999999.9 kWh
Current	I	1		40 mA to 63 A
Voltage	U	0.5		Un ± 20 %
Power factor	PFA	1		0 to 1



# PowerLogic™ PowerTag Energy 63 A

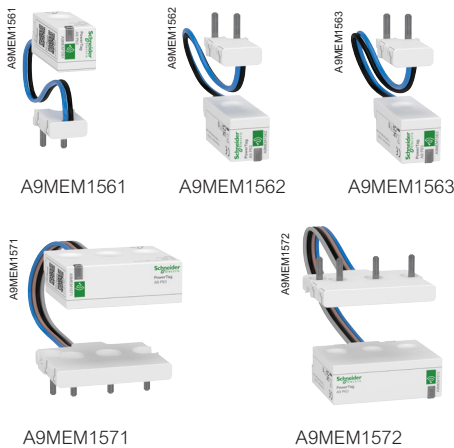


## PowerTag Energy Monoconnect 63 A Commercial reference numbers

PowerTag Energy for Acti9 and Multi9 Monoconnect offers: «Single-terminal» circuit breakers, RCDs and switches with 18 mm pitch between phase and neutral, rating less than or equal to 63 A.

Commercial reference number	Type	Mounting	Description
A9MEM1520	1P+wire	Top or bottom	PowerTag Energy M63 1PW
A9MEM1521	1P+N	Top	PowerTag Energy M63 1PN T
A9MEM1522		Bottom	PowerTag Energy M63 1PN B
A9MEM1540	3P	Top or bottom	PowerTag Energy M63 3P
A9MEM1543			PowerTag Energy M63 3P 230V LL
A9MEM1541	3P+N	Top	PowerTag Energy M63 3PN T
A9MEM1542		Bottom	PowerTag Energy M63 3PN B

Designed to fit the following devices: iC60, Reflex iC60, DT60, iID.  
Check the Concentrators /Gateways compatibility and the list of Schneider Electric compatible devices with the Selection Guide pages 85 to 95.

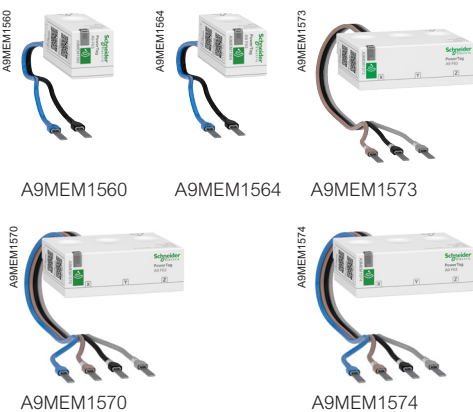


## PowerTag Energy PhaseNeutral 63 A Commercial reference numbers

PowerTag Energy for Acti9 and Multi9 PhaseNeutral offers: «Single-terminal» circuit breakers, RCDs and switches at pitch of 9 mm between phase and neutral, rating less than or equal to 63 A.

Commercial reference number	Type	Mounting	Description
A9MEM1561	1P+N	Top	PowerTag Energy P63 1PN T
A9MEM1562	1P+N	Bottom	PowerTag Energy P63 1PN B
A9MEM1563	1P+N RCBO	Bottom	PowerTag Energy P63 1PN B RCBO 18mm
A9MEM1571	3P+N	Top	PowerTag Energy P63 3PN T
A9MEM1572	3P+N	Bottom	PowerTag Energy P63 3PN B

Designed to fit the following devices: DT40, iDPN, C40, i DPN Vigi.  
Check the Concentrators /Gateways compatibility and the list of Schneider Electric compatible devices with the Selection Guide pages 85 to 95.



## PowerTag Energy Flex 63 A Commercial reference numbers

PowerTag Energy Flex for other devices and specific installations, rating less than or equal to 63 A.

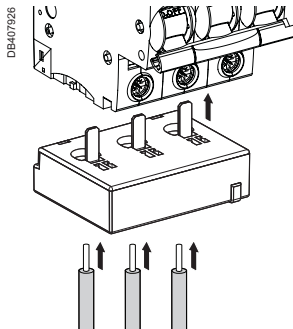
Commercial reference number	Type	Mounting	Description
A9MEM1560	1P+N	Top or bottom	PowerTag Energy F63 1PN
A9MEM1564	1P+N	Top or bottom	PowerTag Energy F63 1PN 110V
A9MEM1573	3P	Top or bottom	PowerTag Energy F63 3P
A9MEM1570	3P+N	Top or bottom	PowerTag Energy F63 3PN
A9MEM1574	3P+N	Top or bottom	PowerTag Energy F63 3PN 127/220V

Designed to fit the following devices: Vigi iDT40, Vigi iC40, Vigi iC60, iC60 double terminal, iID double terminal.  
Check the Concentrators /Gateways compatibility and the list of Schneider Electric compatible devices with the Selection Guide pages 85 to 95.

Contact your Schneider Electric representative for complete ordering information.



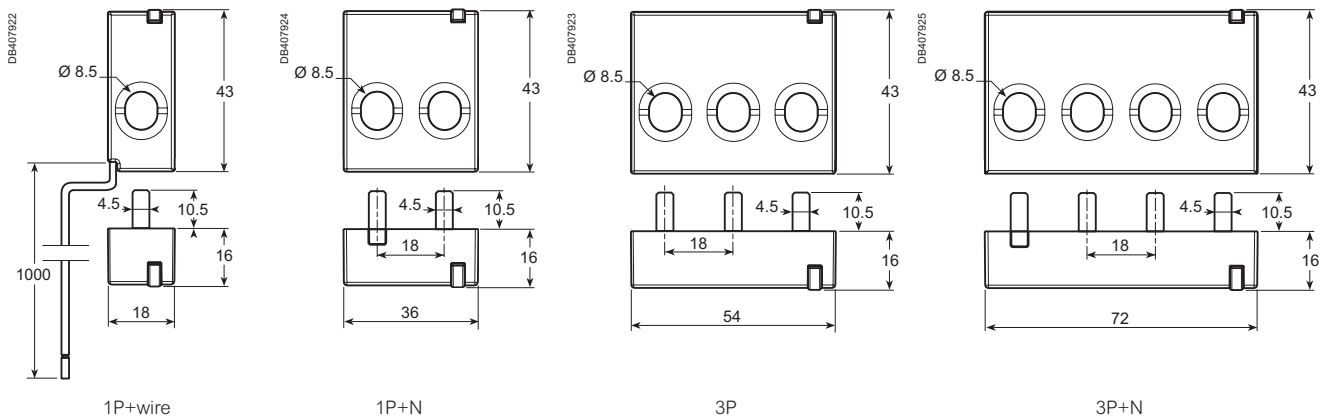
### PowerTag Energy Monoconnect 63 A connection



Stripping length	Copper cables					
	Rigid		Flexible		Flexible with ferrule	
18 mm						
	1.5 to 16 mm <sup>2</sup> AWG: 16...6	2 x 1.5 to 2.5 mm <sup>2</sup> AWG: 16...14	1.5 to 16 mm <sup>2</sup> AWG: 16...6	2 x 1.5 to 2.5 mm <sup>2</sup> AWG: 16...14	1.5 to 16 mm <sup>2</sup> AWG: 16...6	2 x 1.5 to 2.5 mm <sup>2</sup> AWG: 16...14

Mounting with 18 mm ferrule recommended.

### PowerTag Energy Monoconnect 63 A dimensions (mm)



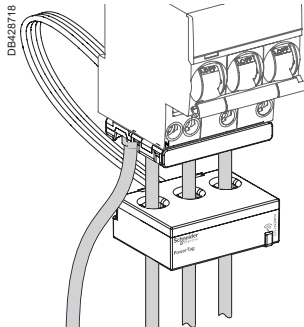
### PowerTag Energy Monoconnect 63 A weight

Type	Weight (g)
1P+wire	16.4
1P+N	17.5
3P	28
3P+N	35

Please refer to PowerTag Energy 63 A Installation Sheet for accurate and complete information on the installation of this product.



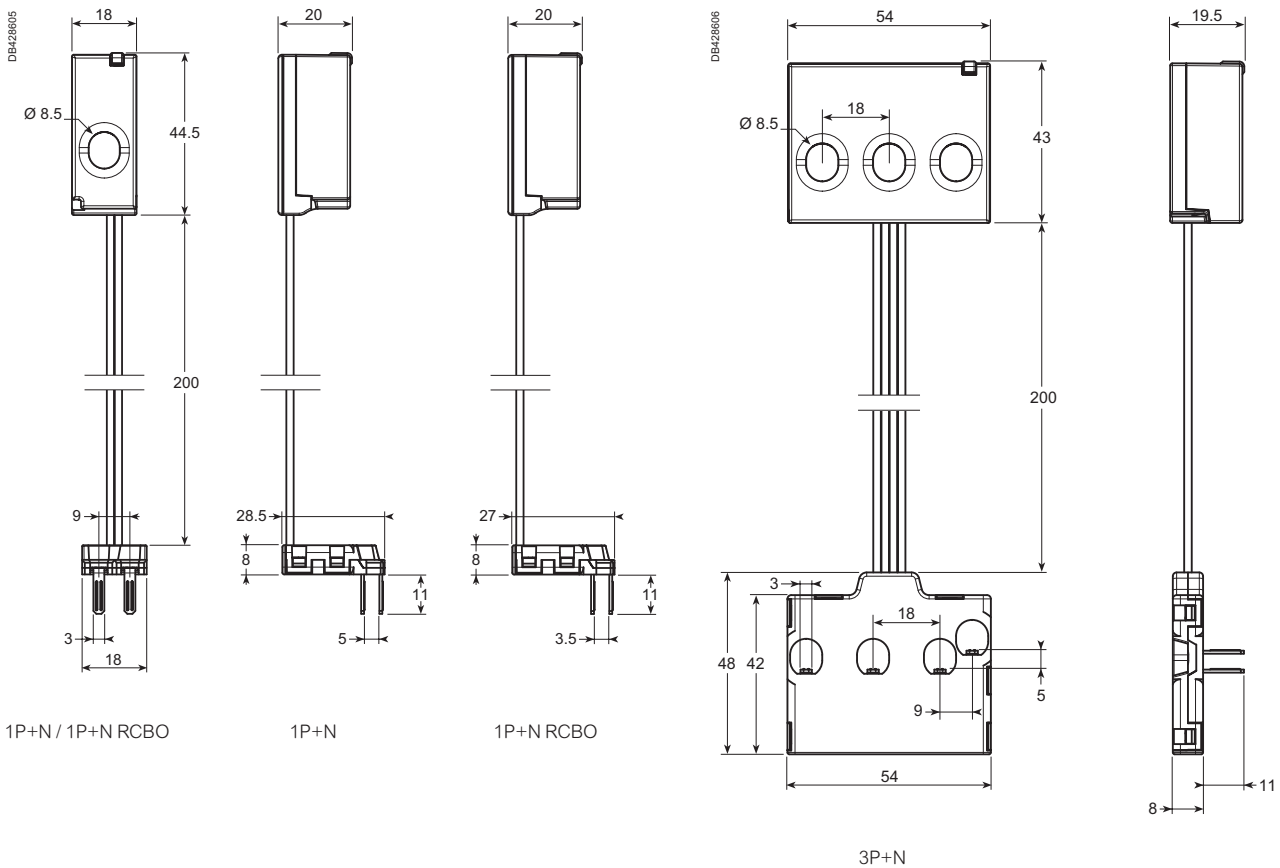
### PowerTag Energy PhaseNeutral 63 A connection



Copper cables					
Rigid		Flexible		Flexible with ferrule	
1.5 to 16 mm <sup>2</sup> AWG: 16...6	2 x 1.5 to 2.5 mm <sup>2</sup> AWG: 16...14	1.5 to 16 mm <sup>2</sup> AWG: 16...6	2 x 1.5 to 2.5 mm <sup>2</sup> AWG: 16...14	1.5 to 16 mm <sup>2</sup> AWG: 16...6	2 x 1.5 to 2.5 mm <sup>2</sup> AWG: 16...14

Stripping length: respect the stripping length stated on the device the PowerTag Energy is associated with.

### PowerTag Energy PhaseNeutral 63 A dimensions (mm)



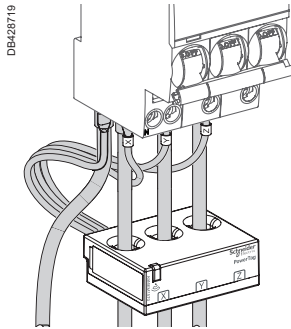
### PowerTag Energy PhaseNeutral 63 A weight

Type	Weight (g)
1P+N	18
3P+N	48

Please refer to PowerTag Energy 63 A Installation Sheet for accurate and complete information on the installation of this product.



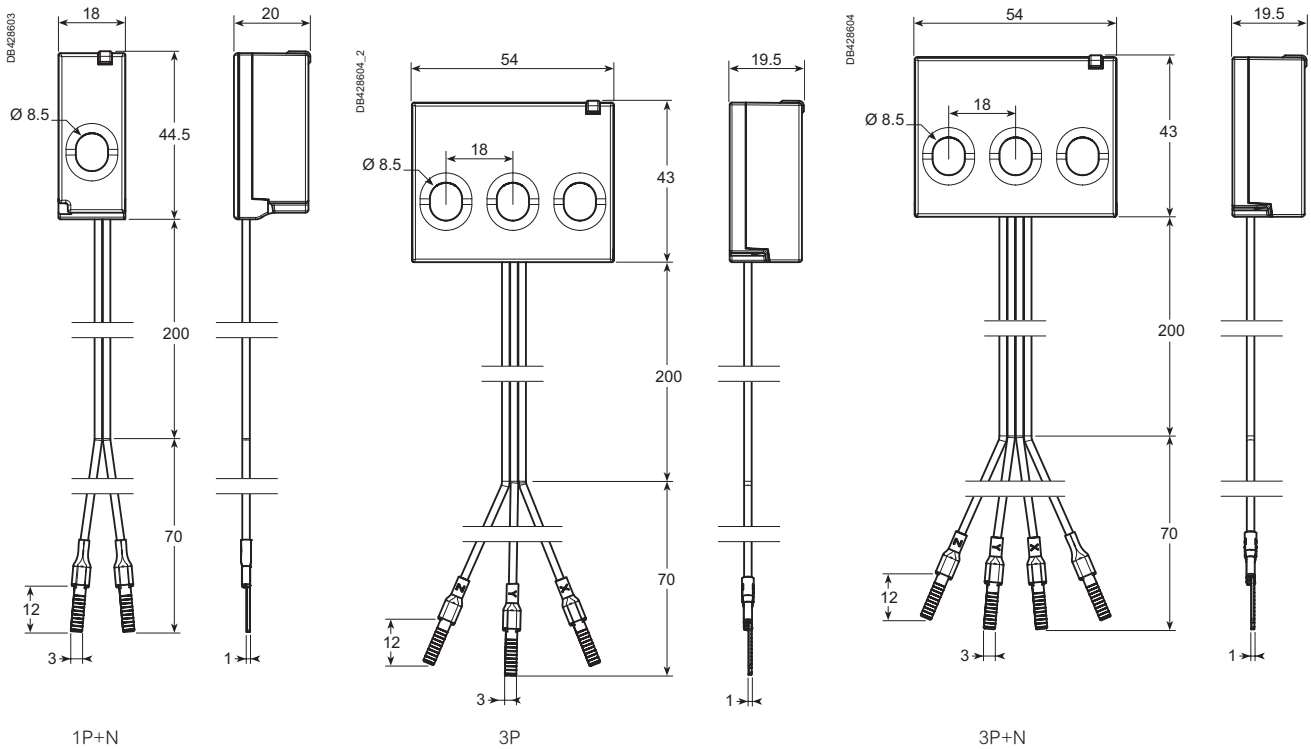
### PowerTag Energy Flex 63 A connection



Copper cables					
Rigid		Flexible		Flexible with ferrule	
1.5 to 16 mm <sup>2</sup> AWG: 16...6	2 x 1.5 to 2.5 mm <sup>2</sup> AWG: 16...14	1.5 to 16 mm <sup>2</sup> AWG: 16...6	2 x 1.5 to 2.5 mm <sup>2</sup> AWG: 16...14	1.5 to 16 mm <sup>2</sup> AWG: 16...6	2 x 1.5 to 2.5 mm <sup>2</sup> AWG: 16...14

Stripping length: respect the stripping length stated on the device the PowerTag Energy is associated with.

### PowerTag Energy Flex 63 A dimensions (mm)



### PowerTag Energy Flex 63 A weight

Type	Weight (g)
1P+N	16
3P	38
3P+N	40

Please refer to PowerTag Energy 63 A Installation Sheet for accurate and complete information on the installation of this product.





# PowerLogic™ PowerTag Energy 63 A Resi9

IEC 61557-12 PMD-I/DD/K55/1

As per the above standard:

With its compact design and innovative concept, PowerTag Energy 63 A Resi9 fits directly on the Resi9 protective device and as a result has no impact on DIN rail occupancy and switchboard size.

It is therefore well adapted to be mounted from head of group down to final circuits.

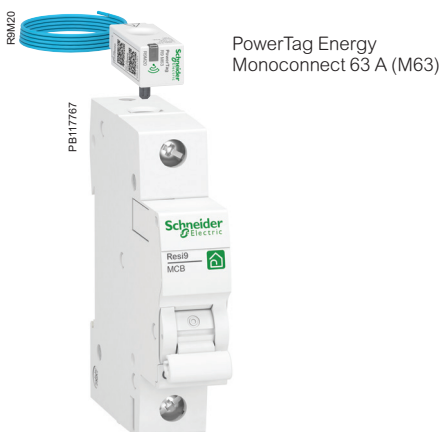
Since voltage and current are measured directly at the same point on the circuit to be monitored, it provides accurate measurement and relevant information such as voltage loss.

PowerTag Energy 63 A Resi9 is dedicated to the Resi9 range of devices and compatible with Wiser concentrators/gateways.

## Main characteristics

PowerTag Energy measures the following values in accordance with the IEC 61557-12 standard PMD-I/DD/K55/1:

- Energy:
  - Active energy (kWh): total and partial, delivered and received.
- Voltage loss alarms:
  - PowerTag Energy sends a “voltage loss” alarm before being de-energized.
  - At “voltage loss”, PowerTag Energy adds an overload alarm if the current is higher than the rated current of the associated protective device.

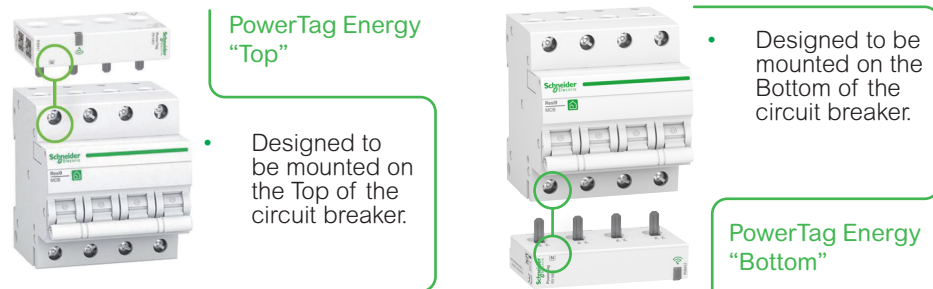




# PowerLogic™ PowerTag Energy 63 A Resi9

## Installation

Some references of PowerTag Energy 63 A Resi9 (Monoconnect) exist in Top or Bottom version. This is linked to the position of the neutral of the PowerTag Energy.



### Note:

- Some PowerTag Energy 63 A Resi9 can be installed either on the TOP or on the BOTTOM of the protective devices.
- Check the possible mounting position as indicated in the “Catalog numbers” chapter.
- In association with a contactor, a Variable Speed Drive or a motor starter: PowerTag Energy can ONLY be installed UPSTREAM these devices.

## Number of poles

Choose the PowerTag Energy according to the number of poles of the protective device: one PowerTag Energy per protective device.

Ex.: 3 pole PowerTag Energy 63 A Resi9 for a 3 pole CB.





# PowerLogic™ PowerTag Energy 63 A Resi9

## Technical specifications

Main characteristics				
Rated voltage	1P+N / 1P+W	Un	Phase-to-neutral	200... 240 V AC ± 20 %
	3P	Un	Phase-to-phase	380... 415 V AC ± 20 %
	3P+N	Un	Phase-to-neutral	220... 240 V AC ± 20 %
			Phase-to-phase	380... 415 V AC ± 20 %
R9M43	Un	Phase-to-phase	200... 240 V AC ± 20 %	
Frequency				50/60 Hz
Maximum current	Imax		63 A	
Basic current	Ib		10 A	
Saturation current	130 A			
Maximum consumption	1P+N		≤ 1 VA	
	3P/3P+N		≤ 2 VA	
Starting current	Ist		40 mA	
Additional characteristics				
Operating temperature	-25°C to +60°C			
Storage temperature	-40°C to +85°C			
Overvoltage category	As per IEC 61010-1		Cat. III	
Measuring category	As per IEC 61010-2-030		Cat. III	
Pollution degree	3			
Altitude	≤ 2000 m			
Degree of protection	Device only		IP20	
	IK		05	
Radio-frequency communication				
ISM band 2.4 GHz	2.4 GHz to 2.4835 GHz			
Channels	As per IEEE 802.15.4		11 to 26	
Isotropic Radiated Power	Equivalent (EIRP)		0 dBm	
Maximum transmission time	< 5 ms			
Channel occupancy	Messages sent every		5 seconds minimum	
Characteristics of measuring functions				
Function	Symbol	Performance category as per IEC 61557-12 (PMD-I/DD/K55/1)		Device measuring range
		Class		
Active energy (delivered and received)	Ea	1		Total and partial 0 to 99999999.9 kWh
Current	I	1		40 mA to 63 A
Voltage	U	0.5		Un ± 20 %



# PowerLogic™ PowerTag Energy 63 A Resi9



R9M20



R9M21



R9M40



R9M22



R9M43



R9M42



R9M41

## PowerTag Energy Monoconnect 63 A Resi9 Commercial reference numbers

PowerTag Energy for Resi9 Monoconnect offers: «Single-terminal» circuit breakers, RCDs and switches with 18 mm pitch between phase and neutral, rating less than or equal to 63 A.

Commercial reference number	Type	Mounting	Description
R9M20	1P+wire	Top or bottom	PowerTag Energy R9 M63 1PW
R9M21	1P+N	Top	PowerTag Energy R9 M63 1PN T
R9M22		Bottom	PowerTag Energy R9 M63 1PN B
R9M40	3P	Top or bottom	PowerTag Energy R9 M63 3P
R9M43			PowerTag Energy R9 M63 3P 230V LL
R9M41	3P+N	Top	PowerTag Energy R9 M63 3PN T
R9M42		Bottom	PowerTag Energy R9 M63 3PN B

Refer to the Resi9 catalog in your country to select the right PowerTag Energy model to fit on the Resi9 protective device you want equipped.



R9M60



R9M70

## PowerTag Energy Flex 63 A Resi9 Commercial reference numbers

PowerTag Energy Flex for other Resi9 devices and specific installations, rating less than or equal to 63 A.

Commercial reference number	Type	Mounting	Description
R9M60	1P+N	Top or bottom	PowerTag Energy R9 F63 1PN
R9M70	3P+N	Top or bottom	PowerTag Energy R9 F63 3PN

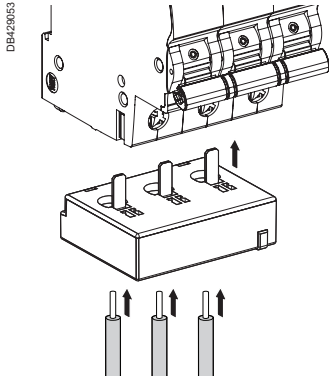
Refer to the Resi9 catalog in your country to select the right PowerTag Energy model to fit on the Resi9 protective device you want equipped.

To allow PowerTag Energy Resi9 F63 to adapt to different types of terminals, the voltage tap lugs can be replaced with other end-pieces or lugs for AWG22/0.33 mm<sup>2</sup> wires.



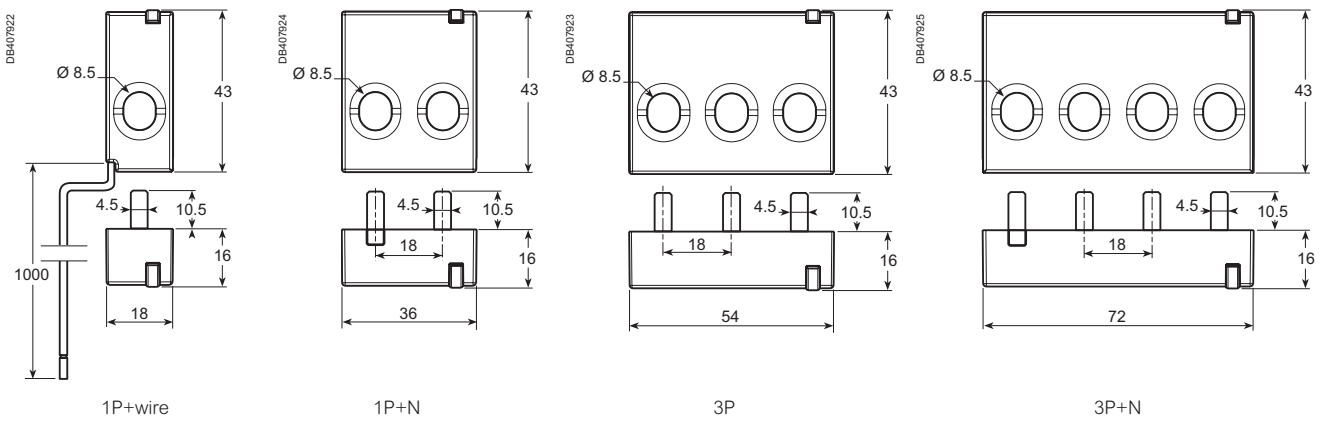
# PowerLogic™ PowerTag Energy 63 A Resi9

## PowerTag Energy R9 M63 connection



Stripping length : 18 mm

## PowerTag Energy R9 M63 dimensions (mm)



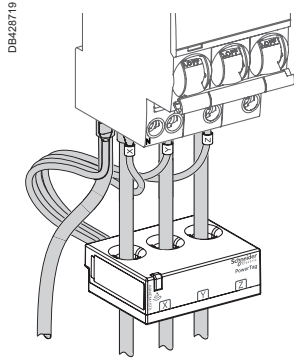
## PowerTag Energy R9 M63 weight

Type	Weight (g)
1P+wire	16.4
1P+N	17.5
3P	28
3P+N	35



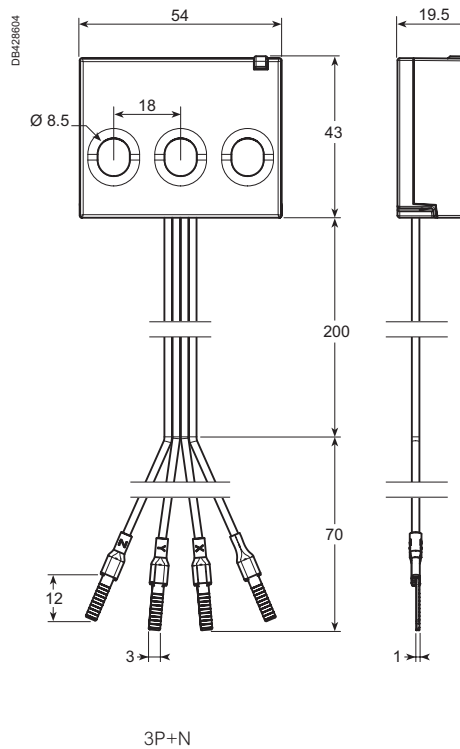
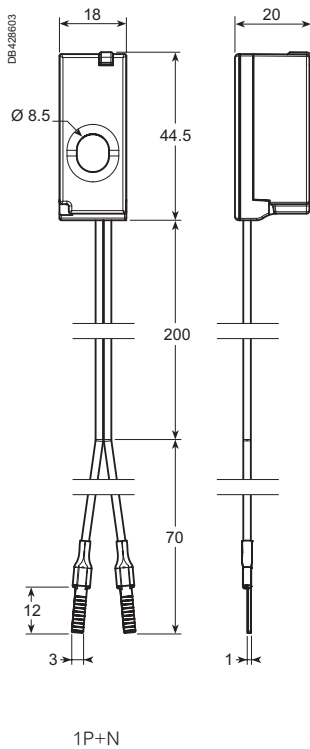
# PowerLogic™ PowerTag Energy 63 A Resi9

## PowerTag Energy R9 F63 connection



Stripping length: respect the stripping length stated on the device the PowerTag Energy is associated with.

## PowerTag Energy R9 F63 dimensions (mm)



## PowerTag Energy R9 F63 weight

Type	Weight (g)
1P+N	16
3P	40

Please refer to PowerTag Energy 63 A Resi9 Installation Sheet for accurate and complete information on the installation of this product.



# PowerLogic™ PowerTag Energy Flex 160 A

IEC 61557-12 PMD-II/DD/K70/1

As per the above standard:

With its flex design this PowerTag Energy can be used on many products or group of loads up to 160 A on 3P or 3P+N networks. Its removable spring connector for voltage picking facilitates its installation, and shapes for brackets allows to mount and maintain it where needed in a panel.

## Main characteristics

PowerTag Energy Flex 160 A measures the following values in accordance with the IEC 61557-12 standard PMD-II/DD/K70/1:

- Energy (4 quadrants):
  - Active energy (kWh): total and partial, delivered and received.
  - Active energy per phase (kWh): total and partial, delivered and received.
  - Reactive energy (kVARh): total and partial, delivered and received.
  - Reactive energy per phase (kVARh): total and partial, delivered and received.
  - Apparent energy (kVAh): total and partial.
  - Apparent energy per phase (kVAh): total and partial.
- Real-time measurement values:
  - Voltages (V): phase-to-phase (U12, U23, U31) and phase-to-neutral (V1N, V2N, V3N).
  - Currents (A): per phase (I1, I2, I3), calculated neutral current when connected (IN) .
  - Power:
    - Active power (W): total and per phase.
    - Reactive power (VAR): total and per phase.
    - Apparent power (VA): total and per phase.
  - Frequency (Hz).
  - Power factor: total and per phase.
- Voltage loss alarms:
  - PowerTag Energy Flex sensor sends a “voltage loss” alarm and the current-per-phase value before being de-energized.
  - At “voltage loss”, PowerTag Energy Flex adds an overload alarm if the current is higher than the rated current of the associated protective device

Note: Functions listed above depends on Concentrator/Gateway.



PowerTag Energy Flex 160 A



# PowerLogic™ PowerTag Energy Flex 160 A

## Installation

PowerTag Energy Flex 160 A can be installed in a panel directly on cables or busbars, associated to a product or not. Voltage pickings removable spring terminal has to be wired by 1 copper wire per phase with following characteristics:

### Wire range

Solid	Stranded	Stranded with terminal ends
0.2...1.5 mm <sup>2</sup>	0.2...2.5 mm <sup>2</sup>	0.25...1.5 mm <sup>2</sup>
24...16 AWG	24...14 AWG	24...16 AWG

Neutral picking shall be connected to have phase-to-neutral voltages, energy per phase and power per phase provided.

PowerTag Energy Flex 160 A is mainly advised for ComPact NSXm, ComPact INS160, Acti9 NG125, Acti9 C120, PowerPact B, TeSys GV4, and all other devices with a rating between 63 A and 160 A.







# PowerLogic™ PowerTag Energy Flex 160 A

## Technical specifications

### Main characteristics (as per IEC 61557-12)

Rated voltage	Un	Phase-to-neutral	100...277 V AC ± 20 %
		Phase-to-phase	173...480 V AC ± 20 %
Frequency			50/60 Hz
Maximum current	I <sub>max</sub>		160 A
Maximum operating current			1.2 × I <sub>max</sub>
Saturation current			2 × I <sub>max</sub>
Maximum consumption			3 VA
Starting current	I <sub>st</sub>		100 mA
Basic current	I <sub>b</sub>		25 A

### Additional characteristic

Operating temperature			-25 °C to +70 °C
Storage temperature			-40 °C to +85 °C
Overvoltage category		As per IEC 61010-1	Cat. IV
Measuring category		As per IEC 61010-2-030	Cat. IV
Pollution degree			3
Altitude			Up to 2000 m without derating <sup>(1)</sup>
Degree of protection device			IP20 IK05

### Radio-frequency communication

ISM band 2.4 GHz			2.4 GHz to 2.4835 GHz
Channels		As per IEEE 802.15.4	11 to 26
Isotropic Radiated Power		Equivalent (EIRP)	0 dBm
Maximum transmission time			< 5 ms
Channel occupancy		For 1 device	messages sent every 5 seconds

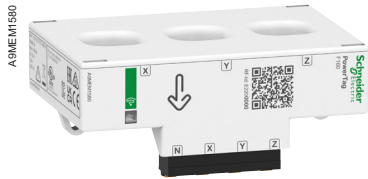
### Characteristics of measuring functions

Function	Symbol	Performance category as per IEC 61557-12 (PMD-II/DD/K70/1)	Device measuring range
		Class	
Total active power (Active power per phase)	P	1	24 W (8 W) to 192 kW
Total reactive power (Reactive power per phase)	Q <sub>A</sub>	2	30 VAR (10 VAR) to 192 kVAR
Total apparent power (Apparent power per phase)	S <sub>A</sub>	2	38 VA (13 VA) to 192 kVA
Active Energy: per phase, total, partial, delivered and received	E <sub>a</sub>	1	0 to 281.10 <sup>9</sup> kWh
Reactive energy: per phase, total, partial, delivered and received	E <sub>rA</sub>	2	0 to 281.10 <sup>9</sup> kVARh
Apparent energy: per phase, total, partial	E <sub>apA</sub>	2	0 to 281.10 <sup>9</sup> kVAh
Frequency	f	0.5	45 to 65 Hz
Phase current	I	1	100 mA to 320 A
Neutral current	I <sub>NC</sub>	2	
Voltages (Line to Line)	U	0.5	138 to 576 V AC
Power factor (per phase, total)	PF <sub>A</sub>	1	-1 to 1

<sup>(1)</sup> Above 2000 m, please consult Schneider Electric.



# PowerLogic™ PowerTag Energy Flex 160 A



A9MEM1580

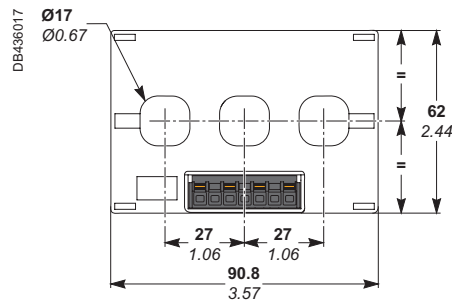
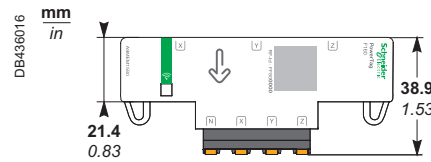
## PowerTag Energy Flex 160 A Commercial reference numbers

Commercial reference number	Type	Description
A9MEM1580	F160 3P/3P+N	PowerTag Energy Flex 160 A 3P / 3P+N

Check the Concentrators /Gateways compatibility and the list of Schneider Electric compatible devices with the Selection Guide pages 85 to 95.

Contact your Schneider Electric representative for complete ordering information.

## PowerTag Energy Flex 160 A dimensions



## PowerTag Energy Flex 160 A weight

Type	Weight (g)
F160 3P/3P+N	100

Please refer to PowerTag Energy Flex 160 A Installation Sheet for accurate and complete information on the installation of this product.



# PowerLogic™ PowerTag Energy Monoconnect 250 A & 630 A

IEC 61557-12 PMD-II/DD/K70/1

As per the above standard:

PowerTag Energy M250/M630 is designed for Molded Case Circuit Breakers and Switches (ComPact, EasyPact CVS and TeSys) for 3P and 3P+N electrical networks. This PowerTag Energy is mounted directly on the bottom side of the circuit breaker or the Vigi add-on if any. Thanks to its integrated design, it does not require any specific wiring, and is compatible with the same connection accessories than the device it is mounted on.

## Main characteristics

PowerTag Energy M250/M630 measures the following values in accordance with the IEC 61557-12 standard PMD-II/DD/K70/1:

- Energy (4 quadrants):
  - Active energy (kWh): total and partial, delivered and received.
  - Active energy per phase (kWh): total.
  - Reactive energy (kVARh): partial, delivered and received.
- Real-time measurement values:
  - Voltages (V): phase-to-phase (U12, U23, U31) and phase-to-neutral (V1N, V2N, V3N).
  - Currents (A): per phase (I1, I2, I3).
  - Power:
    - Active power (W): total and per phase.
    - Reactive power (VAR): total.
    - Apparent power (VA): total.
  - Frequency (Hz).
  - Power factor.
- Voltage loss alarms:
  - PowerTag Energy sends a “voltage loss” alarm and the current-per-phase value before being de-energized.
  - At “voltage loss”, PowerTag Energy adds an overload alarm if the current is higher than the rated current of the associated protective device.

Note: Functions listed above depends on Concentrator/Gateway.



PowerTag Energy Monoconnect 250 A



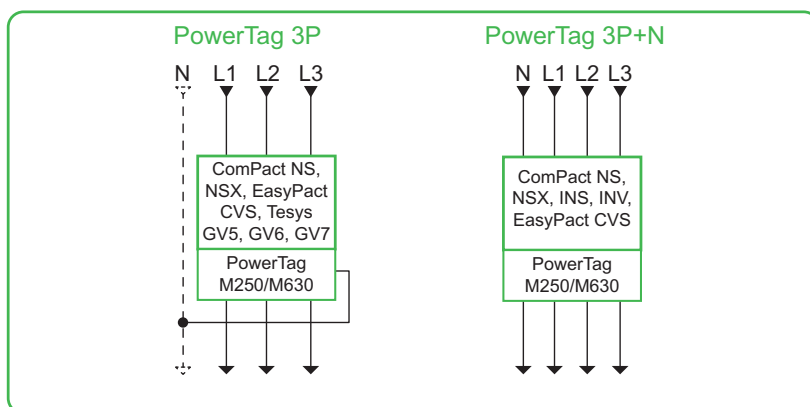
# PowerLogic™ PowerTag Energy Monoconnect 250 A & 630 A

## Installation

The module is self-powered and is installed for fixed devices directly on the bottom side of the circuit breaker or Vigi add-on terminals. For plug-in devices, it has to be installed on the base itself, top or bottom.

PowerTag Energy M250/M630 3P has to be used with 3P devices, and an external neutral voltage tap is provided in case of the installation has a neutral to provide phase-to-neutral voltages, active energy per phase and power per phase.

PowerTag Energy M250/M630 3P+N has to be used with 4P devices and with Compact INS/INV 3P/4P switches



PowerTag M250/M630 modules are compatible with Compact NSX100/160/250, Compact NSX400/630, Compact INS250-100A to 250A, Compact INS320/400/500/630, Compact INV100/160/200/250, Compact INV320/400/500/630, Compact NS100/160/250, Compact NS400/630, EasyPact CVS 100-250, EasyPact CVS 400-630, TeSys GV5, TeSys GV6 and TeSys GV7.

**Important notice :** A derating coefficient may apply for the circuit-breaker on which the PowerTag is mounted on. Refer to the circuit breaker catalogue for derating coefficient.

In case of retrofit, following points have to be checked:

- Clearance to be able to add PowerTag Energy module and to respect bending radius of cables.
- Condition of power connectors: to be replaced if damaged.
- Tightening torques depending of the connector used.





# PowerLogic™ PowerTag Energy Monoconnect 250 A & 630 A

## Technical specifications

Main characteristics			
Rated voltage	Un	Phase-to-neutral	230 VAC ± 20 %
		Phase-to-phase	400 VAC ± 20 %
Frequency			50/60 Hz
Maximum current	I <sub>max</sub>		250 A / 630 A
Maximum operating current			1.2 x I <sub>max</sub>
Saturation current			2 x I <sub>max</sub>
Maximum consumption			3.7 VA
Starting current	I <sub>st</sub>		160 mA / 400 mA
Basic current	I <sub>b</sub>		40 A / 100 A
Additional characteristic			
Operating temperature			-25 °C to +70 °C
Storage temperature			-50 °C to +85 °C
Overvoltage category		As per IEC 61010-1	Cat. IV
Measuring category		As per IEC 61010-2-030	Cat. III
Pollution degree			3
Altitude			Up to 2000 m without derating <sup>(1)</sup>
Degree of protection device			IP20 IK07
Radio-frequency communication			
ISM band 2.4 GHz			2.4 GHz to 2.4835 GHz
Channels		As per IEEE 802.15.4	11 to 26
Isotropic Radiated Power		Equivalent (EIRP)	0 dBm
Maximum transmission time			< 5 ms
Channel occupancy		For 1 device	messages sent every 5 seconds
Characteristics of measuring functions			
Function	Symbol	Performance category as per IEC 61557-12 (PMD-II/DD/K70/1)	Device measuring range (250 A / 630 A)
		Class	
Total active power (Active power per phase)	P	1	88 W (29 W) to 416 kW / 222 W (74 W) to 1048 kW
Total reactive power	Q <sub>A</sub>	2	88 VAR to 416 kVAR / 221 VAR to 1048 kVAR
Total apparent power	S <sub>A</sub>	2	88 VA to 416 kVA / 221 VA to 1048 kVA
Active Energy: per phase, total, partial	E <sub>a</sub>	1	0 to 281.10 <sup>9</sup> kWh
Partial Reactive Energy	E <sub>rA</sub>	2	0 to 281.10 <sup>9</sup> kVARh
Phase current	I	1	160 mA to 500 A / 400 mA to 1260 A
Voltages (Line to Line)	U	0.5	320 to 480 VAC
Power factor	PF <sub>A</sub>	1	-1 to 1

<sup>(1)</sup> Above 2000 m, please consult us.



# PowerLogic™ PowerTag Energy Monoconnect 250 A & 630 A



LV434020



LV434021



LV434022



LV434023

## PowerTag Energy Monoconnect 250 A & 630 A Commercial reference numbers

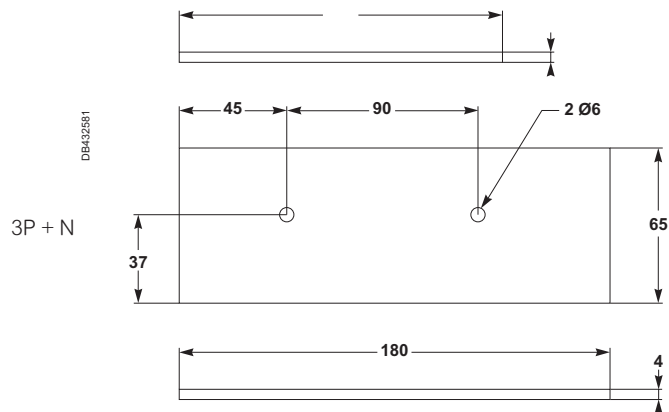
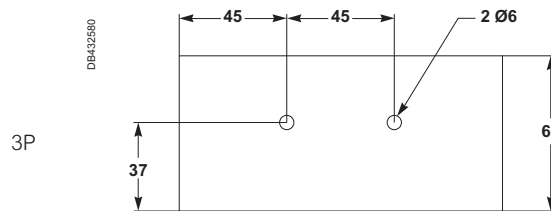


Commercial reference number	Type	Description	Connection adapter for mounting on plug-in base only
LV434020	M250 3P	PowerTag Energy 250 A 3P	LV429306
LV434021	M250 3P+N	PowerTag Energy 250 A 3P+N	LV429307
LV434022 <sup>(1)</sup>	M630 3P	PowerTag Energy 630 A 3P	LV432584
LV434023 <sup>(1)</sup>	M630 3P+N	PowerTag Energy 630 A 3P+N	LV432585

Check the Concentrators /Gateways compatibility and the list of Schneider Electric compatible devices with the Selection Guide pages 85 to 95.

Contact your Schneider Electric representative for complete ordering information.

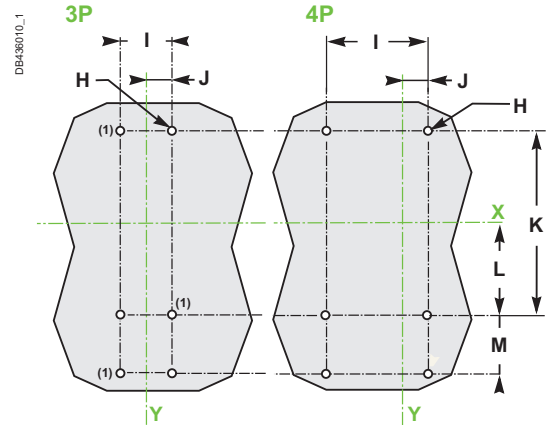
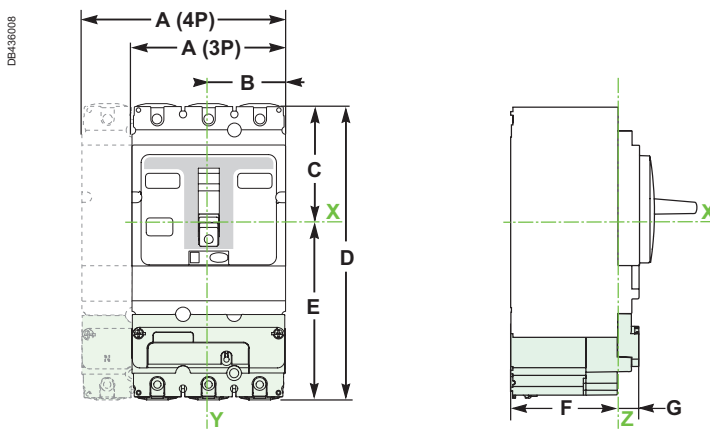
(1) For plug-in devices only: when plate mounted, need to add an intercalary wedging plate under the PowerTag Energy module with following dimensions:



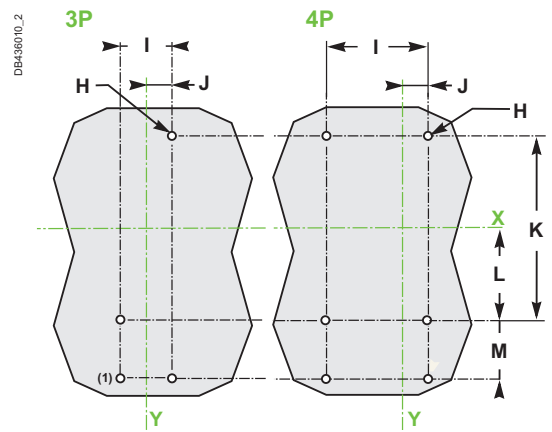
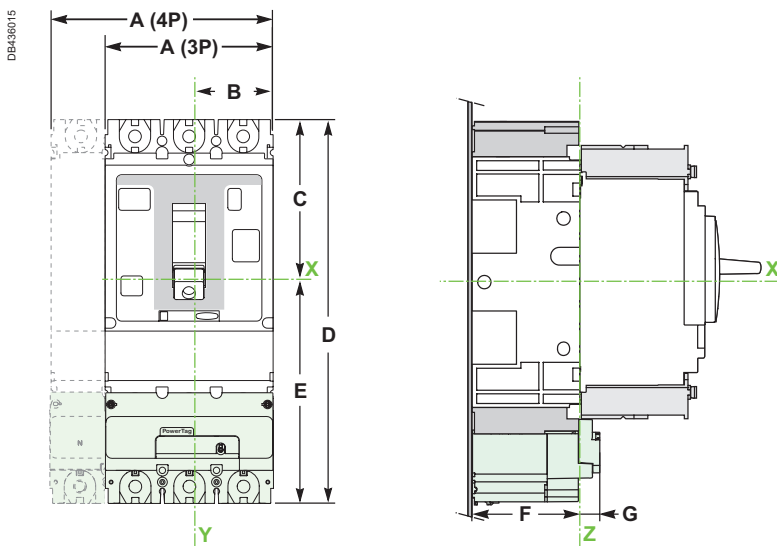


# PowerLogic™ PowerTag Energy Monoconnect 250 A & 630 A

NSX100-250 / NSX400-630 / CVS100-250 / CVS400-630



(1) Only for PowerTag M630



(1) Only for PowerTag M630

mm in	A		B	C	D	E	F	G	H		J		K	L	M		
	3P	4P							3P	4P	3P	4P					
NSX100-250	105	140	52.5	80.5	201	120.5	72	14	3 Ø6	6 Ø6	35	70	17.5	17.5	125	62.5	40
CVS 100-250	4.13	5.51	2.06	3.17	7.91	4.74	2.83	0.55	3 Ø0.23	6 Ø0.23	1.34	2.75	0.68	0.68	4.92	2.46	1.57
NSX400-630	140	185	70	127.5	320	192.5	96	14	6 Ø6	6 Ø6	45	90	22.5	22.5	200	100	65
CVS 400-630	5.51	7.28	2.75	5.02	12.59	7.57	3.78	0.55	6 Ø0.23	6 Ø0.23	1.77	3.5	0.88	0.88	7.87	3.93	2.56
NSX100-250 with plug-in base	105	140	52.5	109	260	151	72	14	3 Ø6	6 Ø6	35	70	17.5	17.5	155	77.5	55
	4.13	5.51	2.06	4.29	10.23	5.94	2.83	0.55	3 Ø0.23	6 Ø0.23	1.34	2.75	0.68	0.68	6.10	3.05	2.16
NSX400-630 with plug-in base	140	185	70	153	406	253	100	14	4 Ø06	6 Ø6	45	90	22.5	22.5	250	125	83
	5.51	7.28	2.75	6.02	15.98	9.96	3.93	0.55	4 Ø0.23	6 Ø0.23	1.77	3.5	0.88	0.88	9.84	4.92	3.26

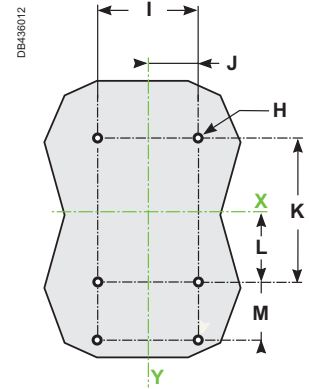
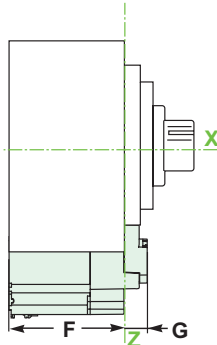
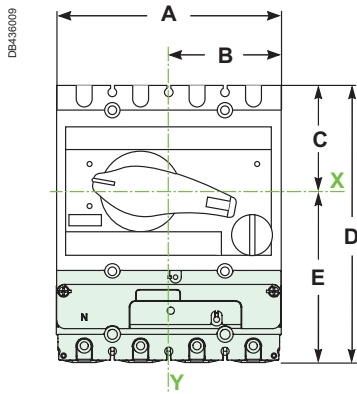
Please refer to PowerTag Energy 250 A & 630 A Installation Sheet for accurate and complete information on the installation of this product.



# PowerLogic™ PowerTag Energy Monoconnect 250 A & 630 A

INS250 / INV100-250

INS320-630 / INV320-630



mm in	A	B	C	D	E	F	G	H	I	J	K	L	M
INS250 INV100-250	140 5.51	70 2.75	68 2.67	176 6.93	108 4.25	72 2.83	14 0.55	6 Ø6 6 Ø0.23	70 2.75	35 1.37	100 3.93	50 1.96	40 1.57
INS320-630 INV320-630	185 7.28	92.5 3.64	102.5 4.03	270 10.62	167.5 6.59	96 3.78	14 0.55	6 Ø6 6 Ø0.23	90 3.5	45 1.77	150 5.9	75 2.95	65 2.56

## PowerTag Energy Monoconnect 250 A & 630 A weight

Type	Weight (g)
M250 3P	250
M250 3P+N	300
M630 3P	800
M630 3P+N	1000

Please refer to PowerTag Energy 250 A & 630 A Installation Sheet for accurate and complete information on the installation of this product.





# PowerLogic™ PowerTag Energy Rope 200 A to 2000 A

IEC 61557-12 PMD-II/DD/K70/1

As per the above standard:

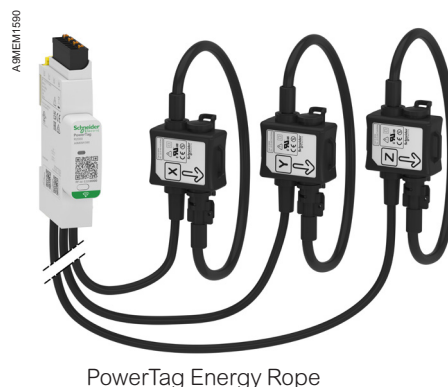
With its flexible and openable current sensors, this PowerTag Energy Rope can be installed easily on busbars and cables without having to disconnect the conductors, and is suitable for 3P or 3P+N networks. Its removable spring connector for voltage picking facilitates its installation, and the module can be mounted on a DIN rail or maintained with brackets where needed in a panel.

## Main characteristics

PowerTag Energy Rope measures the following values in accordance with the IEC 61557-12 standard PMD-II/DD/K70/1:

- Energy (4 quadrants):
  - Active energy (kWh): total and partial, delivered and received.
  - Active energy per phase (kWh): total and partial, delivered and received.
  - Reactive energy (kVARh): total and partial, delivered and received.
  - Reactive energy per phase (kVARh): total and partial, delivered and received.
  - Apparent energy (kVAh): total and partial.
  - Apparent energy per phase (kVAh): total and partial.
- Real-time measurement values:
  - Voltages (V): phase-to-phase (U12, U23, U31) and phase-to-neutral (V1N, V2N, V3N).
  - Currents (A): per phase (I1, I2, I3), calculated neutral current when connected (IN).
  - Power:
    - Active power (W): total and per phase.
    - Reactive power (VAR): total and per phase.
    - Apparent power (VA): total and per phase.
  - Frequency (Hz).
  - Power factor: total and per phase.
- Voltage loss alarms:
  - PowerTag Energy Rope sensor sends a “voltage loss” alarm and the current-per-phase value before being de-energized.
  - At “voltage loss”, PowerTag Energy Rope adds an overload alarm if the current is higher than the rated current of the associated protective device.

Note: Functions listed above depends on Concentrator/Gateway.



PowerTag Energy Rope



# PowerLogic™ PowerTag Energy Rope

## Installation

PowerTag Energy Rope 18 mm module can be mounted on DIN rail or fastened with brackets anywhere in a panel. Then its openable current sensors have to be installed around conductors, cables or busbars, whatever they are insulated or not. Voltage pickings removable spring terminal has to be wired by 1 copper wire per phase with following characteristics:

### Wire range

Solid	Stranded	Stranded with terminal ends
0.2...1.5 mm <sup>2</sup>	0.2...2.5 mm <sup>2</sup>	0.25...1.5 mm <sup>2</sup>
24...16 AWG	24...14 AWG	24...16 AWG

Neutral picking shall be connected to have phase-to-neutral voltages, energy per phase and power per phase provided.

PowerTag Energy Rope is mainly advised for ComPact NS, MasterPact NT and NW, MasterPact MTZ NA and HA, for retrofit, for group of loads, and for all other devices with a rating up to 2000 A.





# PowerLogic™ PowerTag Energy Rope 200 A to 2000 A

## Technical specifications

Main characteristics (as per IEC 61557-12)			
Rated voltage	Un	Phase-to-neutral	100...277 VAC ± 20 %
		Phase-to-phase	173...480 VAC ± 20 %
Frequency			50/60 Hz
Maximum current	I <sub>max</sub>		200 A / 600 A / 1000 A / 2000 A
Maximum operating current			1.2 × I <sub>max</sub>
Saturation current			2 × I <sub>max</sub>
Maximum consumption			3 VA
Starting current	I <sub>st</sub>		120 mA / 400 mA / 600 mA / 1.2 A
Basic current	I <sub>b</sub>		30 A / 100 A / 150 A / 300 A
Additional characteristic			
Operating temperature			-25 °C to +70 °C
Maximum primary conductor temperature			105 °C <sup>(2)</sup>
Storage temperature			-40 °C to +85 °C
Overvoltage category		As per IEC 61010-1	Cat. IV
Measuring category		As per IEC 61010-2-030	Cat. IV
Pollution degree			3
Altitude			Up to 2000 m without derating <sup>(1)</sup>
Degree of protection device			IP20 (IP40 front face) IK05
Radio-frequency communication			
ISM band 2.4 GHz			2.4 GHz to 2.4835 GHz
Channels		As per IEEE 802.15.4	11 to 26
Isotropic Radiated Power		Equivalent (EIRP)	0 dBm
Maximum transmission time			< 5 ms
Channel occupancy		For 1 device	messages sent every 5 seconds
Characteristics of measuring functions			
Function	Symbol	Performance category as per IEC 61557-12 (PMD-II/DD/K70/1) Class	Device measuring range (200 A / 600 A / 1000 A / 2000 A)
Total active power (Active power per phase)	P	1	29 W (10 W) to 240 kW / 96 W (32 W) to 720 kW / 144 W (48 W) to 1200 kW / 288 W (96 W) to 2400 kW
Total reactive power (Reactive power per phase)	Q <sub>A</sub>	2	36 VAR (12 VAR) to 240 kVAR / 120 VAR (40 VAR) to 720 kVAR / 180 VAR (60 VAR) to 1200 kVAR / 360 VAR (120 VAR) to 2400 kVAR
Total apparent power (Apparent power per phase)	S <sub>A</sub>	2	46 VA (15 VA) to 240 kVA / 154 VA (51 VA) to 720 kVA / 231 VA (77 VA) to 1200 kVA / 461 VA (154 VA) to 2400 kVA
Active Energy: per phase, total, partial, delivered and received	E <sub>a</sub>	1	0 to 281.10 <sup>9</sup> kWh
Reactive energy: per phase, total, partial, delivered and received	E <sub>rA</sub>	2	0 to 281.10 <sup>9</sup> kVARh
Apparent energy: per phase, total, partial	E <sub>apA</sub>	2	0 to 281.10 <sup>9</sup> kVAh
Frequency	f	0.5	45 to 65 Hz
Phase current	I	1	120 mA to 400 A / 400 mA to 1200 A / 600 mA to 2000 A / 1.2 A to 4000 A
Neutral current	I <sub>NC</sub>	2	
Voltages (Line to Line)	U	0.5	138 to 576 VAC
Power factor (per phase, total)	PF <sub>A</sub>	1	-1 to 1

<sup>(1)</sup> Above 2000 m, please consult us.  
<sup>(2)</sup> For higher value, please consult us.



# PowerLogic™ PowerTag Energy Rope 200 A to 2000 A



A9MEM1590●

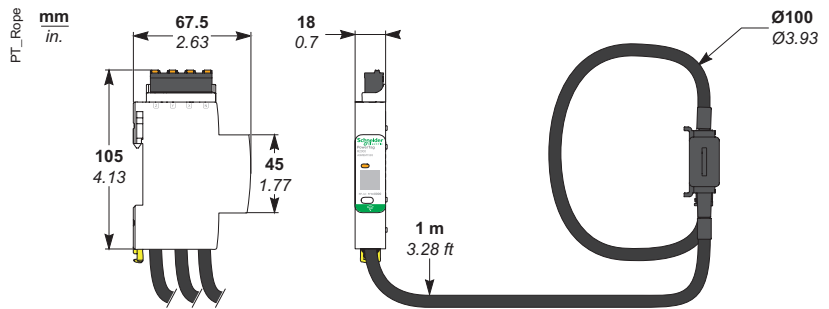
## PowerTag Energy Rope 200 A to 2000 A Commercial reference numbers

Commercial reference number	Type	Description
A9MEM1590	R200 3P/3P+N	PowerTag Energy Rope 200 A 3P / 3P+N
A9MEM1591	R600 3P/3P+N	PowerTag Energy Rope 600 A 3P / 3P+N
A9MEM1592	R1000 3P/3P+N	PowerTag Energy Rope 1000 A 3P / 3P+N
A9MEM1593	R2000 3P/3P+N	PowerTag Energy Rope 2000 A 3P / 3P+N

Check the Concentrators /Gateways compatibility and the list of Schneider Electric compatible devices with the Selection Guide pages 85 to 95.

Contact your Schneider Electric representative for complete ordering information.

## PowerTag Energy Rope 200 A to 2000 A dimensions



## PowerTag Energy Rope 200 A to 2000 A weight

Type	Weight (g)
R200 3P/3P+N	360
R600 3P/3P+N	
R1000 3P/3P+N	
R2000 3P/3P+N	

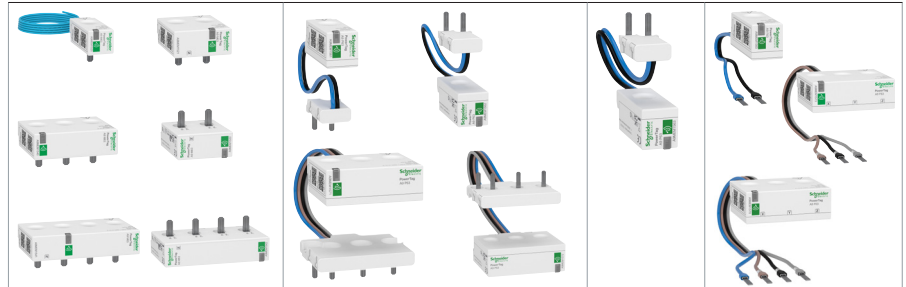
Please refer to PowerTag Energy Rope 200 A to 2000 A Installation Sheet for accurate and complete information on the installation of this product.

# PowerLogic™ PowerTag Energy

## Selection guide for product compatibility\*

(Compatibility for terminal not equipped with comb busbar)

### PowerTag Energy 63 A



Products (AC network)	Mounting position	A9 M63	A9 P63	A9 P63 RCBO	A9 F63
<b>Acti9/Multi9</b>					
<b>Circuit breakers</b>					
iC60/iK60/DT60	Top	✓	-	-	-
	Bottom	✓	-	-	-
iC60 (double terminal)	Top	-	-	-	✓
	Bottom	-	-	-	✓
iC40	Top	-	✓	-	-
	Bottom	-	✓	-	-
DT40/iDPN/C40	Top	-	✓	-	-
	Bottom	-	✓	-	-
C120 ≤ 63 A NG125 ≤ 63 A	Top	-	-	-	✓ (1)
	Bottom	-	-	-	✓ (1)
iC65N-K (China) iC65 (China)	Top	✓	-	-	-
	Bottom	✓	-	-	-
iDPN (China)	Top	-	✓	-	-
	Bottom	-	✓	-	-
iKQ (1P+W PowerTag on each pole)	Top	NA	-	-	-
	Bottom	✓ (1P+W only)	-	-	-
N40	Top	-	✓	-	-
	Bottom	-	✓	-	-
Reflex iC60	Top	✓	-	-	-
	Bottom	✓	-	-	-
Reflex XC40	Top	✓	-	-	-
	Bottom	-	-	-	✓ (1)
C32/C45/C60/C65/K60/T60/ Multi9 OEM (C60N/H/L)	Top	✓	-	-	-
	Bottom	✓	-	-	-
<b>Circuit breakers equipped with Vigi module</b>					
iC60/iC65/iC60/iC65N-K with Vigi module	Top	✓ (CB)	-	-	-
	Bottom	-	-	-	✓ (1) (Vigi)
iC40 with Vigi iCG40	Top CB	-	✓ (CB)	-	-
	Top (Vigi)	-	✗ (2) (Vigi 1P+N)	-	-
	Bottom (Vigi)	-	-	-	✓ (Vigi 3P+N)
iC40 with "outgoer" Vigi module	Top	-	✓ (CB)	-	-
	Bottom	-	-	-	✓ (Vigi)
DT40/DPN/C40 with "group feeder" Vigi module	Top CB	-	✓ (CB)	-	-
	Top Vigi	-	✓ (Vigi 1P+N)	-	✓ (Vigi 3P+N)
DT40/DPN/C40 with "outgoer" Vigi module	Top	-	✓ (CB)	-	-
	Bottom	-	-	-	✓ (Vigi)
DT60 with Vigi TG60	Top CB	✓ (CB) only A9MEM1541	-	-	-
	Top Vigi	-	-	-	✓ (1) (Vigi)

(1) You may need to change the voltage measurement cable terminals of the PowerTag Energy F63 by other cable ends (wire AWG22/0.33 mm<sup>2</sup>) for a more suitable connection to this product.  
 (2) Product usually associated with a comb busbar

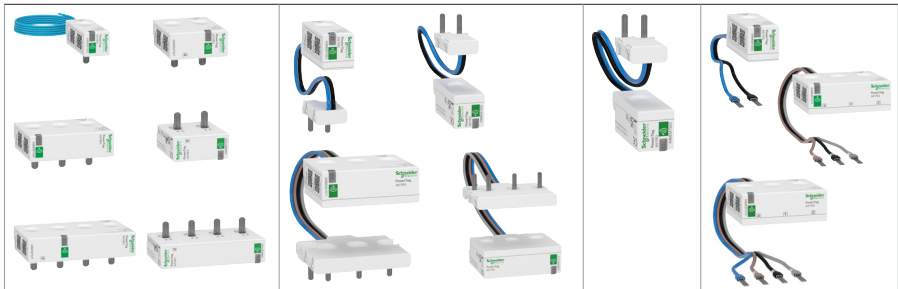
(\*) Refer to the product catalog for technical characteristics

# PowerLogic™ PowerTag Energy

## Selection guide for product compatibility\*

(Compatibility for terminal not equipped with comb busbar)

### PowerTag Energy 63 A



Products (AC network)	Mounting position	A9 M63	A9 P63	A9 P63 RCBO	A9 F63
<b>Acti9/Multi9</b>					
<b>Circuit breakers equipped with Vigi module (cont')</b>					
C120 ≤ 63 A NG125 ≤ 63 A with Vigi module	Top	-	-	-	✓ (1) (CB)
	Bottom	-	-	-	✓ (1) (Vigi)
<b>Circuit breakers equipped with Arc fault detection unit</b>					
iC60 with ARC unit	Top	✓ (CB)	-	-	-
	Bottom	-	-	-	✓ (add-on block)
iC40 with ARC unit	Top	-	✓ (CB)	-	-
	Bottom	-	-	-	✓ (add-on block)
<b>Arc fault detection devices</b>					
iC40N ARC / iCV40N VigiARC	Top	✓	-	-	-
	Bottom	✓	-	-	-
<b>Residual current devices</b>					
iID/iID K	Top	✓	-	-	-
	Bottom	✓	-	-	-
iID (double terminal)	Top	-	-	-	✓
	Bottom	-	-	-	✓
iID40	Top	-	☒ (2) (1P+N)	-	☒ (2) (3P+N)
	Bottom	✓	-	-	-
iDPN Vigi "outgoer" 1P+N	Top	-	✓	-	-
	Bottom	-	✓	-	-
iC60H RCBO/iC60H2 RCBO/ IKQE RCBO	Top	NA (fishbone)	-	-	-
	Bottom	-	-	✓	-
iC60 RCBO	Top	✓	-	-	-
	Bottom	✓	-	-	-
iCV40 "outgoer" 1P+N	Top	-	✓	-	-
	Bottom	-	✓	-	-
iCV40 "outgoer" 3P+N	Top	-	✓	-	-
	Bottom	-	-	-	✓
DPN Vigi/DT40 Vigi/C40 Vigi "outgoer" 1P+N	Top	-	✓	-	-
	Bottom	-	✓	-	-
DPN Vigi/DT40 Vigi/C40 Vigi/ iDPN Vigi "outgoer" 3P+N	Top	-	✓	-	-
	Bottom	-	-	-	✓
DPN Vigi K	Top	-	-	-	✓ (1)
	Bottom	-	-	-	✓ (1)
N40 Vigi "outgoer"	Top	-	✓	-	-
	Bottom	-	✓	-	-
iDc/ITG40/C40	Top Left	-	✓	-	-
	Top Right	-	✓	-	-

(1) You may need to change the voltage measurement cable terminals of the PowerTag Energy F63 by other cable ends (wire AWG22/0.33 mm²) for a more suitable connection to this product.

(2) Product usually associated with a comb busbar

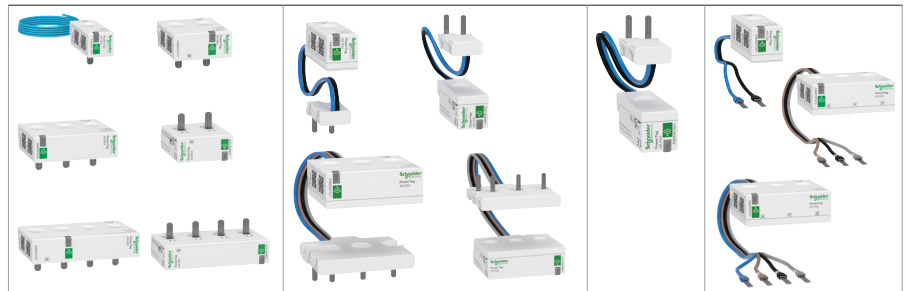
(\*) Refer to the product catalog for technical characteristics

# PowerLogic™ PowerTag Energy

## Selection guide for product compatibility\*

(Compatibility for terminal not equipped with comb busbar)

### PowerTag Energy 63 A



Products (AC network)	Mounting position	A9 M63	A9 P63	A9 P63 RCBO	A9 F63
<b>Acti9/Multi9</b>					
<b>Residual current devices (cont')</b>					
DCP Vigi	Top	✓	-	-	-
	Bottom	✓	-	-	-
C60H RCBO (Multi9)	Top	NA (fishbone)	-	-	-
	Bottom	-	-	✓	-
ID ≤ 63 A/ID K biconnect/ ID Type B ≤ 63 A	Top	✓	-	-	-
	Bottom	✓	-	-	-
RED/REDS/REDTest	Top	-	-	-	✓ (1)
	Bottom	-	-	-	✓ (1)
<b>Switches</b>					
iSW ≤ 63 A	Top	✓	-	-	-
	Bottom	✓	-	-	-
iSW-NA ≤ 63 A	Top	✓	-	-	-
	Bottom	✓	-	-	-
iSW 20/32 A	Top	-	-	-	✓
	Bottom	-	-	-	✓
i-NA ≤ 63 A	Top	✓	-	-	-
	Bottom	✓	-	-	-
NG125 NA ≤ 63 A	Top	-	-	-	✓ (1)
	Bottom	-	-	-	✓ (1)
<b>Fuse disconnectors</b>					
STI	Top	-	-	-	✓
	Bottom	-	-	-	✓
SBI 14x51/SBI 22x58 ≤ 63 A	Top	-	-	-	✓ (1)
	Bottom	-	-	-	✓ (1)
D01/D02	Top	-	-	-	✓ (1)
	Bottom	-	-	-	✓ (1)

(1) You may need to change the voltage measurement cable terminals of the PowerTag Energy F63 by other cable ends (wire AWG22/0.33 mm²) for a more suitable connection to this product.

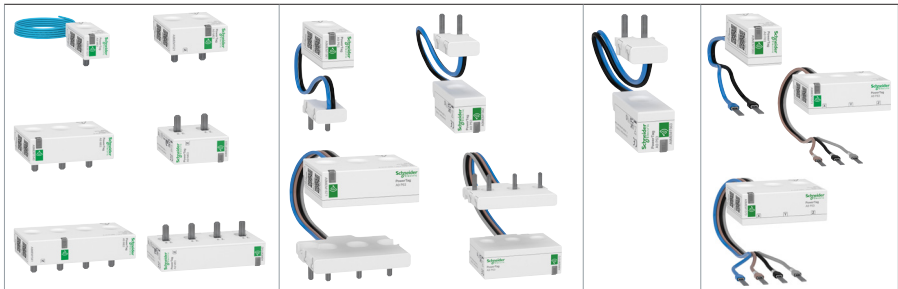
(\*) Refer to the product catalog for technical characteristics

# PowerLogic™ PowerTag Energy

## Selection guide for product compatibility\*

(Compatibility for terminal not equipped with comb busbar)

### PowerTag Energy 63 A



Products (AC network)	Mounting position	A9 M63	A9 P63	A9 P63 RCBO	A9 F63
<b>TeSys</b>					
<b>Motor circuit breakers</b>					
GV2	Top	-	-	-	☑ (1) (2)
	Bottom	-	-	-	☑ (1) (2)
GV3 ≤ 63 A	Top	-	-	-	☑ (1) (2)
	Bottom	-	-	-	☑ (1) (2)
<b>Contactors</b>					
TeSys D ≤ 63 A	Top	-	-	-	☑ Upstream only (1)
	Bottom	-	-	-	-
TeSys K	Top	-	-	-	☑ Upstream only (1)
	Bottom	-	-	-	-
<b>Motor starter</b>					
TeSys U	Top	-	-	-	☑ Upstream only (1)
	Bottom	-	-	-	-

(1) You may need to change the voltage measurement cable terminals of the PowerTag Energy F63 by other cable ends (wire AWG22/0.33 mm<sup>2</sup>) for a more suitable connection to this product.  
 (2) PowerTag Energy sensors withstand motor starting in-rush currents. Environmental mission profile : Buildings as per 60721-3-3.

(\*) Refer to the product catalog for technical characteristics



# PowerLogic™ PowerTag Energy

## Selection guide for product compatibility\*

(Compatibility for terminal not equipped with comb busbar)

### PowerTag Energy 160 A



Products (AC network)		Mounting position	F160 3P / 3P+N
<b>Acti9</b>			
<b>Circuit breakers</b>			
C120 (with or without Vigi module)	3P / 3P+N	Top / Bottom	<input checked="" type="checkbox"/>
NG125 (with or without Vigi module)	3P / 3P+N	Top / Bottom	<input checked="" type="checkbox"/>
<b>Residual current devices</b>			
iID > 63 A	3P+N	Top / Bottom	<input checked="" type="checkbox"/>
RCCB-ID 125 A	3P+N	Top / Bottom	<input checked="" type="checkbox"/>
<b>Fuse disconnectors</b>			
SBI > 63 A	3P / 3P+N	Top / Bottom	<input checked="" type="checkbox"/>
<b>Switches</b>			
NG125 NA	3P / 3P+N	Top / Bottom	<input checked="" type="checkbox"/>
iSW > 63 A	3P / 3P+N	Top / Bottom	<input checked="" type="checkbox"/>
iSW NA > 63 A	3P+N	Top / Bottom	<input checked="" type="checkbox"/>
<b>ComPact</b>			
<b>Circuit breakers</b>			
NSXm	3P / 3P+N	Top / Bottom	<input checked="" type="checkbox"/> (5)
<b>Switches</b>			
NSXm NA	3P / 3P+N	Top / Bottom	<input checked="" type="checkbox"/> (5)
INS 80/100/125/160	3P / 3P+N	Top / Bottom	<input checked="" type="checkbox"/>
<b>PowerPact</b>			
<b>Circuit breakers</b>			
B	3P / 3P+N	Top / Bottom	<input checked="" type="checkbox"/> (6)
<b>TeSys</b>			
<b>Motor circuit breakers</b>			
GV3 > 65 A	3P	Top / Bottom	<input checked="" type="checkbox"/>
GV4	3P	Top / Bottom	<input checked="" type="checkbox"/>
<b>Contactors</b>			
63 A < TeSys D ≤ 160 A	3P / 3P+N	Top	<input checked="" type="checkbox"/> Upstream only
TeSys F ≤ 160 A	3P / 3P+N	Top	<input checked="" type="checkbox"/> Upstream only

(5) It is advised to use EverLink connectors with control wire terminal (LV426970 for 3P / LV426971 for 4P)

(6) It is advised to use EverLink connectors with control wire terminal (LV426974 for 3P / LV426975 for 4P)

(\*) Refer to the product catalog for technical characteristics

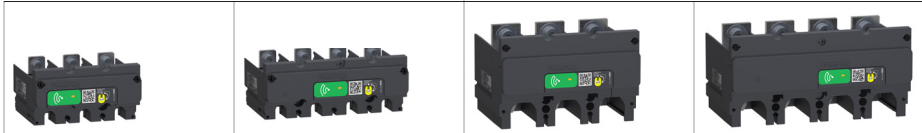
# PowerLogic™ PowerTag Energy

## Selection guide for product compatibility\*

(Compatibility for terminal not equipped with comb busbar)

### PowerTag Energy 250 A

### PowerTag Energy 630 A



Products (AC network)	Mounting position	M250 3P	M250 3P+N	M630 3P	M630 3P+N
<b>ComPact</b>					
<b>Circuit breakers</b>					
NSX100/160/250 B/F/N/H/S/L/R/NA Fixed	3P	Bottom	☑	-	-
	4P	Bottom	-	☑	-
NSX400/630 F/N/H/S/L/R/NA Fixed	3P	Bottom	-	☑	-
	4P	Bottom	-	-	☑
NSX100/160/250 B/F/N/H/S/L/R/NA Plug-In (mounted on the base)	3P	Top / Bottom	☑	-	-
	4P	Top / Bottom	-	☑ (3)	-
NSX400/630 F/N/H/S/L/R/NA Plug-In (mounted on the base)	3P	Top / Bottom	-	☑ (4)	-
	4P	Top / Bottom	-	-	☑ (3) (4)
NS100/160/250 N/SX/H/L/NA Fixed	3P	Bottom	☑	-	-
	4P	Bottom	-	☑	-
NS400/630 N/H/L/NA Fixed	3P	Bottom	-	☑	-
	4P	Bottom	-	-	☑
NS100/160/250 N/SX/H/L/NA Plug-In (mounted on the base)	3P	Top / Bottom	☑	-	-
	4P	Top / Bottom	-	☑ (3)	-
NS400/630 N/H/L/NA Plug-In (mounted on the base)	3P	Top / Bottom	-	☑ (4)	-
	4P	Top / Bottom	-	-	☑ (3) (4)
<b>Circuit breakers equipped with Vigi block</b>					
NSX100/160/250 B/F/N/H/S/L/R/NA Fixed	3P	Bottom	☑	-	-
	4P	Bottom	-	☑	-
NSX400/630 F/N/H/S/L/R/NA Fixed	3P	Bottom	-	☑	-
	4P	Bottom	-	-	☑
NSX100/160/250 B/F/N/H/S/L/R/NA Plug-In (mounted on the base)	3P	Top	☑	-	-
	3P	Top	-	☑ (4)	-
<b>Switches</b>					
INS250/INV - 100/160/200/250	3P	Bottom	-	☑	-
	4P	Top / Bottom	-	☑ (3)	-
INS/INV - 320/400/500/630	3P	Bottom	-	-	☑
	4P	Top / Bottom	-	-	☑ (3)
<b>TeSys</b>					
<b>Motor circuit breakers</b>					
GV5, GV7	3P	Bottom	☑	-	-
GV6	3P	Bottom	-	☑	-
<b>EasyPact</b>					
<b>Circuit breakers</b>					
CVS 100-250	3P	Bottom	☑	-	-
	4P	Bottom	-	☑	-
CVS 400-630	3P	Bottom	-	☑	-
	4P	Bottom	-	-	☑

(3) neutral on the right when mounted on top side

(4) when plate mounted, need to add a 4 mm intercalary under the PowerTag module (see ComPact NSX catalog)

(\*) Refer to the product catalog for technical characteristics

# PowerLogic™ PowerTag Energy

## Selection guide for product compatibility\*

(Compatibility for terminal not equipped with comb busbar)

### PowerTag Energy Rope












Products (AC network)	Mounting position	R200 3P / 3P+N	R600 3P / 3P+N	R1000 3P / 3P+N	R2000 3P / 3P+N
<b>ComPact</b>					
<b>Circuit breakers</b>					
NS 630b	3P / 3P+N	Top / Bottom	-	<input checked="" type="checkbox"/>	-
NS 800/1000	3P / 3P+N	Top / Bottom	-	-	<input checked="" type="checkbox"/>
NS 1250/1600/1600b/2000	3P / 3P+N	Top / Bottom	-	-	<input checked="" type="checkbox"/>
<b>Switches</b>					
INS/INV 630b	3P / 3P+N	Top / Bottom	-	<input checked="" type="checkbox"/>	-
INS/INV 800/1000	3P / 3P+N	Top / Bottom	-	-	<input checked="" type="checkbox"/>
INS/INV 1250/1600/2000	3P / 3P+N	Top / Bottom	-	-	<input checked="" type="checkbox"/>
NS 630b NA	3P / 3P+N	Top / Bottom	-	<input checked="" type="checkbox"/>	-
NS 800/1000 NA	3P / 3P+N	Top / Bottom	-	-	<input checked="" type="checkbox"/>
NS 1250/1600/1600b/2000 NA	3P / 3P+N	Top / Bottom	-	-	<input checked="" type="checkbox"/>
<b>MasterPact</b>					
<b>Circuit breakers</b>					
NT 06	3P / 3P+N	Top / Bottom	-	<input checked="" type="checkbox"/>	-
NT 08/10	3P / 3P+N	Top / Bottom	-	-	<input checked="" type="checkbox"/>
NT 12/16	3P / 3P+N	Top / Bottom	-	-	<input checked="" type="checkbox"/>
NW 08/10	3P / 3P+N	Top / Bottom	-	-	<input checked="" type="checkbox"/>
NW 12/16/20	3P / 3P+N	Top / Bottom	-	-	<input checked="" type="checkbox"/>
<b>Switches</b>					
NT 06 HA	3P / 3P+N	Top / Bottom	-	<input checked="" type="checkbox"/>	-
NT 08/10 HA	3P / 3P+N	Top / Bottom	-	-	<input checked="" type="checkbox"/>
NT 12/16 HA	3P / 3P+N	Top / Bottom	-	-	<input checked="" type="checkbox"/>
NW 08/10 NA/HA/HF	3P / 3P+N	Top / Bottom	-	-	<input checked="" type="checkbox"/>
NW 12/16/20 NA/HA/HF	3P / 3P+N	Top / Bottom	-	-	<input checked="" type="checkbox"/>
MTZ1 06 HA	3P / 3P+N	Top / Bottom	-	<input checked="" type="checkbox"/>	-
MTZ1 08/10 HA	3P / 3P+N	Top / Bottom	-	-	<input checked="" type="checkbox"/>
MTZ1 12/16 HA	3P / 3P+N	Top / Bottom	-	-	<input checked="" type="checkbox"/>
MTZ2 08/10 NA/HA/HA10	3P / 3P+N	Top / Bottom	-	-	<input checked="" type="checkbox"/>
MTZ2 12/16/20 NA/HA/HA10	3P / 3P+N	Top / Bottom	-	-	<input checked="" type="checkbox"/>
<b>TeSys</b>					
<b>Contactors</b>					
TeSys D > 160 A	3P / 3P+N	Top	<input checked="" type="checkbox"/> Upstream only	-	-
160 A < TeSys F ≤ 2000 A	3P / 3P+N	Top	<input checked="" type="checkbox"/> Upstream only	<input checked="" type="checkbox"/> Upstream only	<input checked="" type="checkbox"/> Upstream only
<b>Others</b>					
<b>Circuit breakers / Switches / Motor circuit breakers</b>					
All products below 200 A	3P / 3P+N	Top / Bottom	<input checked="" type="checkbox"/>	-	-
All products between 200 A and 600 A	3P / 3P+N	Top / Bottom	-	<input checked="" type="checkbox"/>	-
All products between 600 A and 1000 A	3P / 3P+N	Top / Bottom	-	-	<input checked="" type="checkbox"/>
All products between 1000 A and 2000 A	3P / 3P+N	Top / Bottom	-	-	<input checked="" type="checkbox"/>

(\*) Refer to the product catalog for technical characteristics

# PowerLogic™ PowerTag Energy

## Selection guide for concentrators / gateways compatibility\*

### Concentrators / gateways









					
		Wiser IP module Wiser IP module+ EER31800	PowerTag Link C PowerTag Link C+ A9XELC10	Smartlink SI B A9XMZA08 Smartlink SI D A9XMWA20	PowerTag Link A9XMWD20 PowerTag Link HD A9XMWD100
<b>PowerTag Energy M63</b>					
	A9MEM1520	✓	✓	✓	✓
	A9MEM1521	✓	✓	✓	✓
	A9MEM1522	✓	✓	✓	✓
	A9MEM1540	✓	✓	✓	✓
	A9MEM1541	✓	✓	✓	✓
	A9MEM1542	✓	✓	✓	✓
	A9MEM1543	✓	✓	-	✓
<b>PowerTag Energy M63 Resi9</b>					
	R9M20	✓	-	-	-
	R9M21	✓	-	-	-
	R9M22	✓	-	-	-
	R9M40	✓	-	-	-
	R9M41	✓	-	-	-
	R9M42	✓	-	-	-
	R9M43	✓	-	-	-
<b>PowerTag Energy P63</b>					
	A9MEM1561	✓	✓	✓	✓
	A9MEM1562	✓	✓	✓	✓
	A9MEM1563	✓	✓	✓	✓
	A9MEM1571	✓	✓	✓	✓
	A9MEM1572	✓	✓	✓	✓
<b>PowerTag Energy F63</b>					
	A9MEM1560	✓	✓	✓	✓
	A9MEM1564	-	-	-	✓
	A9MEM1570	✓	✓	✓	✓
	A9MEM1573	-	-	-	✓
	A9MEM1574	-	-	-	✓
<b>PowerTag Energy F63 Resi9</b>					
	R9M60	✓	-	-	-
	R9M70	✓	-	-	-

(\*) Refer to the product catalog for technical characteristics

# PowerLogic™ PowerTag Energy

## Selection guide for concentrators / gateways compatibility\*

### Concentrators / gateways








					
Harmony Hub ZBRN1 ZBRN2 ZBRN32		EcoStruxure™ Panel Server Universal PAS600●		Wireless Panel Server for PrismaSeT Active	
<b>PowerTag Energy M63</b>					
	A9MEM1520	-	✓	✓	✓
	A9MEM1521	-	✓	✓	✓
	A9MEM1522	-	✓	✓	✓
	A9MEM1540	-	✓	✓	✓
	A9MEM1541	-	✓	✓	✓
	A9MEM1542	-	✓	✓	✓
	A9MEM1543	-	✓	✓	-
<b>PowerTag Energy M63 Resi9</b>					
	R9M20	-	-	-	-
	R9M21	-	-	-	-
	R9M22	-	-	-	-
	R9M40	-	-	-	-
	R9M41	-	-	-	-
	R9M42	-	-	-	-
	R9M43	-	-	-	-
<b>PowerTag Energy P63</b>					
	A9MEM1561	-	✓	✓	✓
	A9MEM1562	-	✓	✓	✓
	A9MEM1563	-	✓	✓	✓
	A9MEM1571	-	✓	✓	✓
	A9MEM1572	-	✓	✓	✓
<b>PowerTag Energy F63</b>					
	A9MEM1560	✓	✓	✓	✓
	A9MEM1564	-	✓	✓	-
	A9MEM1570	✓	✓	✓	✓
	A9MEM1573	✓	✓	✓	✓
	A9MEM1574	-	✓	✓	-
<b>PowerTag Energy F63 Resi9</b>					
	R9M60	-	-	-	-
	R9M70	-	-	-	-

(\*) Refer to the product catalog for technical characteristics

# PowerLogic™ PowerTag Energy

## Selection guide for concentrators / gateways compatibility\*

### Concentrators / gateways






					
		Wiser IP module Wiser IP module+ EER31800	PowerTag Link C PowerTag Link C+ A9XELC10	Smartlink SI B A9XMZA08 Smartlink SI D A9XMWA20	PowerTag Link A9XMWD20 PowerTag Link HD A9XMWD100
<b>PowerTag Energy F160</b>					
	A9MEM1580	-	☑ (PowerTag Link C+ only)	-	☑
<b>PowerTag Energy M250-M630</b>					
	LV434020	☑	☑	☑	☑
	LV434021	☑	☑	☑	☑
	LV434022	☑	☑	☑	☑
	LV434023	☑	☑	☑	☑
<b>PowerTag Energy R200-R600-R1000-R2000</b>					
	A9MEM1590	-	☑ (PowerTag Link C+ only)	-	☑
	A9MEM1591	-	☑ (PowerTag Link C+ only)	-	☑
	A9MEM1592	-	☑ (PowerTag Link C+ only)	-	☑
	A9MEM1593	-	☑ (PowerTag Link C+ only)	-	☑

(\*) Refer to the product catalog for technical characteristics

# PowerLogic™ PowerTag Energy

## Selection guide for concentrators / gateways compatibility\*

### Concentrators / gateways

				
		Harmony Hub ZBRN1 ZBRN2 ZBRN32	EcoStruxure™ Panel Server Universal PAS600●	Wireless Panel Server for PrismaSeT Active
<b>PowerTag Energy F160</b>				
	A9MEM1580	<input checked="" type="checkbox"/>	<input checked="" type="checkbox"/>	<input checked="" type="checkbox"/>
<b>PowerTag Energy M250-M630</b>				
	LV434020	<input checked="" type="checkbox"/>	<input checked="" type="checkbox"/>	<input checked="" type="checkbox"/>
	LV434021	<input checked="" type="checkbox"/>	<input checked="" type="checkbox"/>	<input checked="" type="checkbox"/>
	LV434022	<input checked="" type="checkbox"/>	<input checked="" type="checkbox"/>	<input checked="" type="checkbox"/>
	LV434023	<input checked="" type="checkbox"/>	<input checked="" type="checkbox"/>	<input checked="" type="checkbox"/>
<b>PowerTag Energy R200-R600-R1000-R2000</b>				
	A9MEM1590	<input checked="" type="checkbox"/>	<input checked="" type="checkbox"/>	<input checked="" type="checkbox"/>
	A9MEM1591	<input checked="" type="checkbox"/>	<input checked="" type="checkbox"/>	<input checked="" type="checkbox"/>
	A9MEM1592	<input checked="" type="checkbox"/>	<input checked="" type="checkbox"/>	<input checked="" type="checkbox"/>
	A9MEM1593	<input checked="" type="checkbox"/>	<input checked="" type="checkbox"/>	<input checked="" type="checkbox"/>

(\*) Refer to the product catalog for technical characteristics

# Wireless products

Schneider Electric offers a range of wireless products designed for new builds or retrofit installations. These are reliable, low-cost and easy to use wireless solutions with long battery life that does not compromise performance

- PowerLogic™ PowerTag Control
- PowerLogic™ HeatTag



A9XMC2D3



SMT10020





# PowerLogic™ PowerTag Control

PowerTag Control monitors circuits wirelessly, collecting status of daisy-chained circuit breakers and notifying the data concentrator of information status, such as OF, SD, Contractor or Impulse Relay position indication. These wireless input/output modules allow circuit control and status monitoring. Designed for use in commercial and building applications, they quickly and easily turn your distribution board into a connected panel.

PowerTag Control also connects to pulse relays or contactors for remote control within a building management system for non-critical loads, such as lighting.

## Applications:

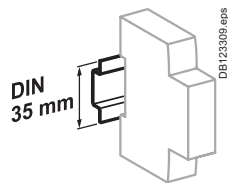
- Monitors your electrical installation from main incomer down to load level
- Suitable for various business, buildings, industrial and residential applications with easy integration in upper systems
- Supports and enables Energy efficiency programs and standards such as:
  - European Energy Efficiency Directive (EED)
  - Energy Performance of Buildings Directive (EPBD)
  - IEC 60364-8-1 “Low Voltage Electrical installations - Energy Efficiency”
  - EN 17267 “Energy Measurement and Monitoring plan”
  - ISO 50001 “Energy Management System”

A9XMC2D3 Image2

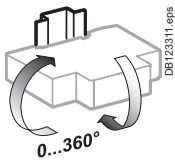


A9XMC2D3

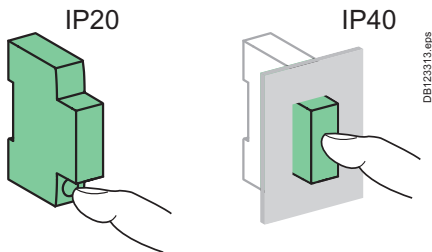
# PowerTag Control



Clip on DIN rail 35 mm.



Indifferent position of installation.

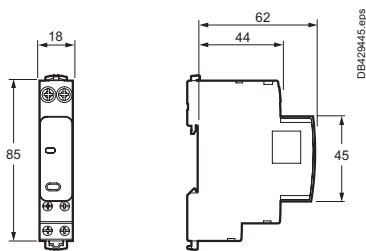


## Technical characteristics

Main characteristics		
Power supply		230 V AC ± 20%
Frequency		50/60 Hz
Maximum consumption	IO	≤ 2 VA
	2DI	≤ 3 VA
Operating temperature		-25°C to +60°C
Storage temperature		-40°C to +85°C
Relative humidity (60068-2-78)		93 % at 40°C
Overvoltage category	As per IEC 61010-1	Cat. III
Altitude		≤ 2000 m
Pollution degree		3
Degree of protection according to IEC 60529	Front face	IP40
	Casing	IP20
	IK	05
Characteristics of inputs and outputs		
Digital input		
Type		230 V AC, dry contact
Digital output		
Type		230 V AC, dry contact
Relay type		Normally open or normally closed <sup>(3)</sup>
Applicable voltage on output		230 V AC ± 20%
Minimum/maximum current on output		10 mA / 2 A
Type of output order		Pulse or latch <sup>(3)</sup>
Pulse length in control mode with impulse relay		Nominal: 300 ms
Radio-frequency communication		
ISM band 2.4 GHz		2.4 GHz to 2.4835 GHz
Channels	As per IEEE 802.15.4	11 to 26
Isotropic Radiated Power	Equivalent (EIRP)	0 dBm
Channel occupancy	Messages sent	■ On event
		■ Periodically (5s nominal)

(3) Setting adjustable

## Dimensions (mm)



## Weight (g)

PowerTag C	
PowerTag C IO 230 V	80
PowerTag C 2DI 230 V	75

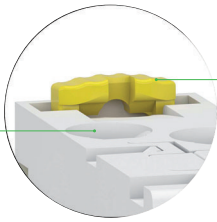
## Connection

	Terminals	Tightening torque	Copper cables		
			Rigid	Flexible	Flexible with ferrule
	Power supply (Top)	2 N.m	1 to 16 mm <sup>2</sup> (AWG: 18...6)	0.5 to 10 mm <sup>2</sup> (AWG: 21...8)	-
	Input/Output (Bottom)	1 N.m	1x: 1 to 6 mm <sup>2</sup> (AWG: 18...10) 2x: 1.5 to 2.5 mm <sup>2</sup> (AWG: 16...14)	1x: 0.5 to 4 mm <sup>2</sup> (AWG: 21...12) 2x: 1.5 to 2.5 mm <sup>2</sup> (AWG: 16...14)	1x: 0.5 to 4 mm <sup>2</sup> (AWG: 21...12) 2x: -

# PowerTag Control

## PowerTag C IO module

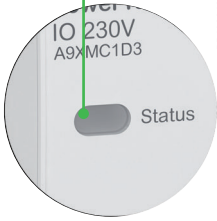
- Compatible with horizontal comb busbars 9 mm modules
- Automatic cable guiding in the correct position: terminals with guard



DB430239.eps

- Assembly and disassembly by operating toggle latches at the top and bottom of the products

- Status LED**
  - Provide information about PowerTag C status



DB430240.eps

- Insulated terminals IP20



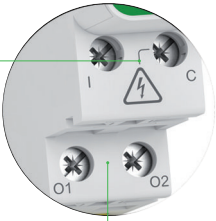
A9XMC1D3\_image2.65.eps



DB430241.eps

- Logo**
  - Wireless communication device

- Push button**
  - Local output control
  - Decommissioning



DB430238.eps

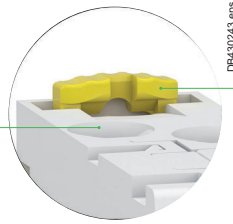
- Monitoring / Back loop circuit**
  - "I" digital input terminal
  - "C" common powered terminal 230 V AC

- Control circuit**
  - Logical output relay
  - "O" output terminals 230 V AC - 2 A max.

# PowerTag Control

## PowerTag C 2DI module

- Compatible with horizontal comb busbars 9 mm modules
- Automatic cable guiding in the correct position: terminals with guard



DB430243.eps

- Assembly and disassembly by operating toggle latches at the top and bottom of the products

- Status LED**
- Provide information about PowerTag C status



DB430244.eps

- Insulated terminals IP20



A9XMC2D3\_image2.45.eps



DB430245.eps

- Flush mounted push button**
- Decommissioning

- Logo**
- Wireless communication device



DB430242.eps

- Monitoring circuits**
- "I" digital input terminals
  - "C" common powered terminals 230 V AC

# PowerLogic™ HeatTag

## Wireless Sensor for early detection of overheating cables

The PowerLogic™ HeatTag sensor analyzes gas and airborne particles helping facility manager to anticipate and act before smoke appears or an electrical fire starts.

Electrical fires generate huge losses in commercial and industrial buildings, interrupting production and delaying service delivery. These losses can be prevented if early detection of component overheating is accurately detected and alarmed.

PowerLogic™ HeatTag helps prevent electrical cabinets from being damaged by analyzing airborne gas and particles and sending alerts before smoke appears or an electrical fire starts. HeatTag is much more than a fire or smoke detector - it scientifically detects overheating in electrical installations before any damage is done.

PE1 20568



SMT10020

## The solution for

Markets that can benefit from a solution that includes PowerLogic™ HeatTag smart sensors:

- Buildings
- Industry
- Healthcare
- Data Center and networks
- Infrastructure

## Benefits

### System integrators' benefit

- Ease of integration
- Ease of setup
- Cost effectiveness
- Seamless integration with EcoStruxure™ solutions

### Panel builders' benefit

- No settings
- Nominal environment auto-learning to avoid false alerts
- Concentrator auto-discovery
- Alerts generated by a powerful algorithm integrated in HeatTag

### End users' benefit

- Ease of use
- Prevents fire damage and associated costs
- Comprehensive, consistent and superior performance
- Maximize uptime, eliminate faults, and enhance safety

## Competitive advantages

- Easy to install and operate
- Suitable for non forced ventilated cabinets  $\geq$  IP31
- Immediately detects overheating in cables and connections
- More than a smoke detector or heat sensor
- 3 levels of alert recording
- Monitors air quality index
- Continuous improvements of algorithms

## Power management solutions

Schneider Electric provides innovative power management solutions to increase your energy efficiency and cost savings, maximize electrical network reliability and availability, and optimize electrical asset performance.

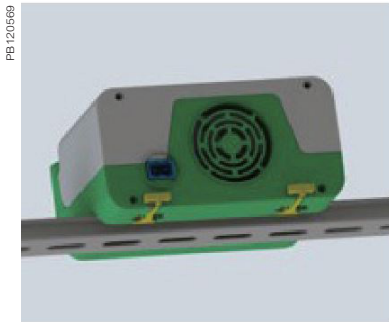
## Conformity of standards

- IEC/UL 61010-1
- IEC 61010-2-201
- IEC 61326-1
- IEC61326-2-3
- ETSI EN 301 489-1
- ETSI EN 301 489-17
- ETSI EN 300 328
- EN 62311
- EN IEC 63000
- IEEE 802.15.4 protocol
- FCC and IC certified

# HeatTag sensors



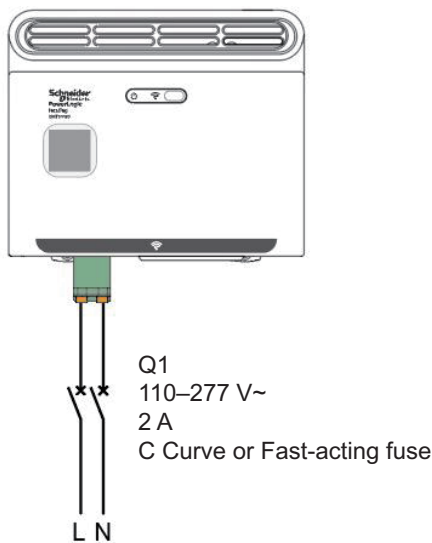
PowerLogic™ HeatTag sensor



HeatTag rear view showing fan

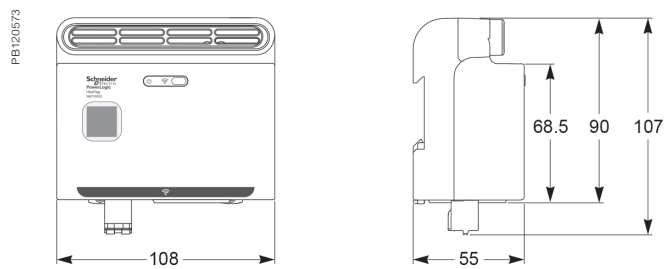


HeatTag sensor DIN mounted

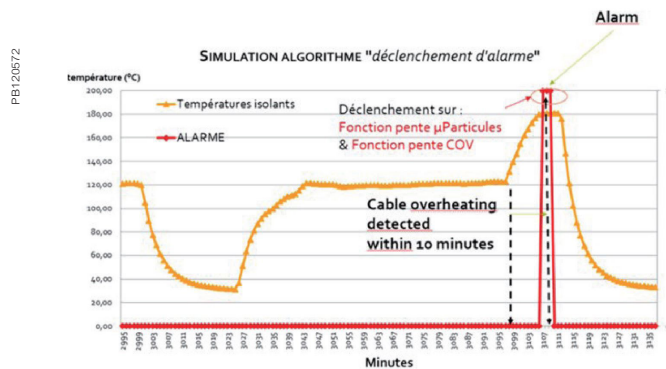


## HeatTag features

Sensor Characteristics		
Temperature measurement	Measurement range	-15 °C / +70 °C (5 °F to 158 °F)
	Measurement accuracy	-1.1 °C / +1.1 °C
	Default transmission period	60 seconds (higher in case of high wireless data traffic)
Humidity measurement	Measurement range	15–90 %
	Measurement accuracy	±9 RH %
	Default transmission period	60 seconds (higher in case of high wireless data traffic)
Air quality	Index (0 to 10), alert generation when index ≥ 10	
Test alert after pairing	During first 30 minutes	
Environment auto-learning phase	8 hours after the first 30 minutes	
Mechanical Characteristics		
Dimensions (W x H x D)	108 x 107 x 55 mm	
Weight	270 g	
Degree of protection (IEC 60529)	IP 20	
Electrical Characteristics		
Supply voltage	110–277 V AC, -15 % / +15 %	
Frequency	50–60 Hz	
Max. consumption	0.1 A	
Operating temperature	-15 °C / +70 °C (5 °F to 158 °F)	
Storage temperature	-20 °C / +85 °C (-4 °F to 185 °F)	
Relative humidity in operation	15–90 %	
Altitude of use	0–2000 m (0–6500 ft)	
Degree of pollution (IEC 60664-1)	3	
Oversoltage category	OVC III	
Commercial Reference Number		
PowerLogic™ HeatTag Sensor	SMT10020	



HeatTag sensor dimensions. See the appropriate Installation Guide.



HeatTag simulation algorithm display

NOTE: Do not use HeatTag as a safety device or to replace fire protection devices. Please see the appropriate User Guide for this product.

# Basic multi-function metering

A range of meters designed for cost management and simple network management. Affordable to buy and easy to choose, the highly-capable PowerLogic™ PM5000 and PM5350 series meters are designed to provide the best combination of features to match all your energy cost management needs.

As well as pin-point energy savings, optimal equipment efficiency and utilisation, basic multi-function meters perform a high level assessment of the power quality in an electrical network.

- PowerLogic™ PM5000
- PowerLogic™ PM5350
- PowerLogic™ PM5350IB
- PowerLogic™ PM5350PB
- PowerLogic™ PM5350P



METSEPM5110



METSEPM5560



# PowerLogic™ PM5000 series

The PowerLogic™ PM5000 series power meters are the new benchmark in affordable, precision metering.

The value you want, the precision you need. Compact, affordable power meters with high-end cost capabilities and basic mobile energy management.

## Applications

Capable of essential cost management:

- Sub-billing/tenant metering <sup>(+1)</sup>
- Equipment sub-billing
- Energy cost allocation

Also ideal for electrical network management:

- Track real-time power conditions
- Monitor control functions
- Provide basic power quality values
- Detect and capture voltage sag and swell events
- Monitor residual current
- Analyze equipment and network status
- BACnet/IP, EtherNet/IP, and DNP3.0 protocol support



METSEPM5760

<sup>(+1)</sup> Subjected to local regulations.

## The solution for

Markets that can benefit from a solution that includes PowerLogic™ PM5000 series meters:

- Buildings
- Industry
- Healthcare
- Data Center and networks
- Infrastructure

## Benefits

### System integrators' benefit

- Ease of integration
- Ease of setup
- Cost effectiveness

### Panel builders' benefit

- Ease of installation
- Cost effectiveness
- Aesthetically pleasing
- Simplified ordering
- LVDC and Analog inputs options

### End users' benefit

- Ease of use
- Precision metering & sub-billing <sup>(+2)</sup>
- Billing flexibility
- Comprehensive, consistent and superior performance
- Maximize uptime, eliminate faults, and enhance safety
- Cybersecurity features

## Competitive advantages

- Easy to install and operate
- Easy for circuit breaker monitoring and control
- WAGES monitoring
- Data logging up to 16 parameters
- Power quality analysis upto 63<sup>rd</sup> harmonics
- Load management combined with alarm and timestamping
- High performance and accuracy
- Residual Current Monitoring (RCM)
- Voltage sag and swell detection with waveform capture
- MID ready compliance for legal billing application
- BACnet/IP, EtherNet/IP, and DNP3.0 protocol support
- PM5310R <sup>(+3)</sup> and PM5320R <sup>(+3)</sup> are enabled to connect with LVCT for faster installations

<sup>(+2)</sup> Subjected to local regulations.

<sup>(+3)</sup> PM5310R and PM5320R must be used with Schneider Electric's "Quick Click" 3-in-1 LVCTs

## Power management solutions

Schneider Electric provides innovative power management solutions to increase your energy efficiency and cost savings, maximize electrical network reliability and availability, and optimize electrical asset performance.

## Conformity of standards

- IEC 61557-12
- IEC 62052-11
- IEC 62052-31
- IEC 62053-22
- IEC 62053-23
- IEEE 802.3
- EN 50470-1
- EN 50470-3
- IEC/UL/EN 61010-1
- FCC part 15 Class B
- EN 55022 Class B
- ODVA certification
- ANSI C12.1-2008 (PM55xx)
- ANSI C12.20 Class 0.2 & 0.5
- Align with cyber security guidelines as per IEC 62443
- Type A as per IEC 62020 for RCM

Meets IEC 61557-12 PMD/[SD]SS]/K70/0.5 for PM5100 and PM5300

Meets IEC 61557-12 PMD/[SD]SS]/K70/0.2 for PM5500

- Legal billing compliance
  - MID compliance is compulsory for billing applications across Europe
  - In addition to billing applications, for facility managers responsible for energy cost
  - MID means same level of quality as a billing meter

**MID** Certified according to MID Directive, Annex "B" + Annex "D" for legal metrology relevant to active electrical energy meters (see Annex MI-003 of MID). Can be used for fiscal (legal) metrology.

MID ready compliance, EN 50470-1/3 – Class C

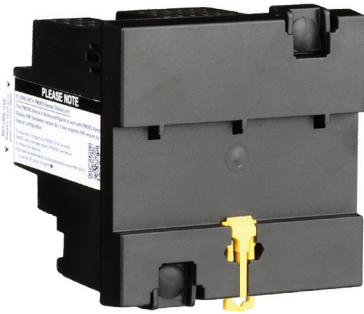
# PM5000 series

## PowerLogic™ PM5100, PM5300 and PM5500 series

The PowerLogic™ PM5000 power meter is the ideal fit for cost management applications. Designed for use in both energy management systems and building management systems, it provides the measurement capabilities needed to allocate energy usage, perform tenant metering and sub-billing, pin-point energy savings, optimize equipment efficiency and utilization, and perform a high level assessment of the power quality of the electrical network.

In a single 96 x 96 mm unit, with a graphical display, (plus optional remote display) all three phases, neutral and ground can be monitored simultaneously. The bright, anti-glare display features large characters and powerful backlighting for easy reading even in extreme lighting conditions and viewing angles. Easy to understand menus, text in 8 selectable languages, icons and graphics create a friendly environment to learn about your electrical network. Ethernet gateway and enhanced cyber security. These are highly accurate devices with global billing certifications.

PB118062



PowerLogic™ PM5563 meter

PB118063



PowerLogic™ PM5563 remote display front ISO

PB118064



PowerLogic™ PM5563 remote display rear ISO

### Applications

- **Cost management:** Cost saving opportunities become clear once you understand how and when your facility uses electricity. The PowerLogic™ PM5000 series meters are ideal for:
  - Sub-billing / tenant metering: Allows a landlord, property management firm, condominium association, homeowners association, or other multi-tenant property to bill tenants for individual measured utility (electricity) usage depending on the local regulations. MID approved meters for billing applications across Europe.
  - Cost allocation: Allocate energy costs between different departments (HVAC, indoor and outdoor lighting, refrigeration, etc.), different parts of an industrial process or different cost centres. Cost allocation systems can help you save money by making changes to your operation, better maintaining your equipment, taking advantage of pricing fluctuations, and managing your demand.
- **Network management:** Improving reliability of the electrical network is key for success in any business. Monitoring values such as voltage levels, harmonics distortions, voltage unbalance, residual current, voltage sag and swell will help you to ensure proper operation and maintenance of your electrical network and equipment. PowerLogic™ PM5000 series meters are the perfect tool for:
  - Basic Power Quality monitoring: Power quality phenomena can cause undesirable effects such as heating in transformers, capacitors, motors, generators and misoperation of electronic equipment and protection devices.
  - Min/ Max monitoring (with timestamp): Understanding when electrical parameters, such as voltage, current and power demand, reach maximum and minimum values will give you the insight to correctly maintain your electrical network and assure equipment will not be damaged.
  - Alarming: alarms help you to be aware of any abnormal behaviour on the electrical network in the moment it happens.
  - WAGES monitoring: take advantage of the input metering on PM5000 meters to integrate measurements from third party devices such as water, air, gas, electricity or steam meters.
  - Residual current monitoring: measures leakage current flowing in TN & TT network system.
  - Voltage sags and swells: measures and captures wave form in the event of voltage sags and swells in the network.
- **Main characteristics**
  - Easy to install
    - Mounts using two clips, in standard cut out for DIN 96 x 96 mm, no tools required. Compact meter with 72 mm (77 mm for PM5500) depth connectable up to 690 V L-L without voltage transformers for installations compliant with category III. Optional remote display (PM5563). Ethernet gateway functionality via RS-485 port.
  - Easy to operate
    - Intuitive navigation with self-guided, language selectable menus, six lines, four concurrent values. Two LEDs on the meter face help the user confirm normal operation with a green LED - heartbeat/communications indicator, and the amber LED - customizable either for alarms or energy pulse outputs. Onboard web pages (PM5500) show real-time and logged information, and verify communications.
  - Easy circuit breaker monitoring and control
    - The PM5300 provides two relay outputs (high performance Form A type) with capability to command most of the circuit breaker coils directly. For Digital Inputs, monitored switches can be wired directly to the meter without external power supply by using whetting output voltage.
    - PM5500 series have 4 status inputs (digital) and 2 digital output (solid state) to use for WAGES monitoring, control and alarm annunciation.

### Accurate energy measurement for precise cost allocation:

	PM5100	PM5300	PM5500	PM5600	PM5700
IEC 62053-22 (Active Energy)	Class 0.5S	Class 0.5S	Class 0.2S	Class 0.2S	Class 0.2S

# PM5000 series

PB11177



PowerLogic™ PM5500 meter

PB11172



PowerLogic™ PM5300 meter

PB11768



PowerLogic™ PM5100 meter

## Native multi-protocol support

The PM55/PM56/PM5700 is now easier than ever to integrate into new and existing BMS systems. With native BACnet/IP protocol support, meters can simultaneously communicate via BACnet and Modbus in applications where multiple software systems are used (building management and energy management systems).

The PM55/PM56/PM5700 series has been tested and certified in accordance with BACnet Testing Laboratories (BTL) requirements and Ethernet IP protocol as per ODVA requirements.

- PM55/PM56/PM5700 Direct metering of neutral current
  - The PM55/PM56/PM5700 has a fourth CT for measuring neutral current. In demanding IT applications, where loads are non-linear (i.e. switching power supplies on computers/servers), measuring neutral current is essential to avoid overload and resulting outage.
  - Power Quality analysis
  - The PM5000 offers Total Harmonic Distortion (THD/thd), Total Demand Distortion (TDD) measurements and individual harmonics (odd) magnitudes and angles for voltage and current:

	PM5100	PM5300	PM55/56/5700
Individual Harmonics	magnitudes up to 15 <sup>th</sup>	magnitudes up to 31 <sup>st</sup>	magnitudes & angles up to 63 <sup>rd</sup>

- These types of power quality parameters help to identify the source of harmonics that can harm transformers, capacitors, generators, motors and electronic equipment.
- Load management
  - Peak demands with time stamping are provided. Predicted demand values can be used in combination with alarms for basic load shedding applications.
- Alarming with time stamping
  - A different combination of set point driven alarms and digital alarms with 1s time stamping are available in the PM5000 family:

	PM5100	PM5300	PM55/56/5700
Set point driven alarms	29	29	29 or 33*
Unary	4	4	4
Digital	–	2	4 or 2
Boolean / Logic	–	–	10
Custom defined	–	–	5

\*Applicable in specific meter models. 2 alarms for disturbance (Sag/ Swell).

- Alarms can be visualized as Active (the ones that have picked up and did not drop out yet) or Historical (the ones that happened in the past). Alarms can be programmed and combined to trigger digital outputs and mechanical relays (PM5300).
- The PM5000 series keeps an alarm log with the active and historical alarms with date and time stamping. SMTP protocol for receiving alarm conditions via email and text. SNTP protocol for date/time network synchronization.
- Load timer
  - A load timer can be set to count load running hours based on a minimum current withdraw, adjustable to monitor and advise maintenance requirements on the load.
- High Performance and accuracy
  - IEC 61557-12 Performance measuring and monitoring devices (PMD). Defines the performance expectation based on classes. It defines the allowable error in the class for real and reactive power and energy, frequency, current, voltage, power factor, voltage unbalance, voltage and current harmonics (odds), voltage THD, current THD, as well as ratings for temperature, relative humidity, altitude, start-up current and safety. It makes compliant meters readings comparable - they will measure the same values when connected to the same load.

# PM5000 series

## PM5000 series feature selection

	PM5100		PM5300					
	PM5100	PM5110	PM5310	PM5310R <sup>(+4)</sup>	PM5320	PM5320R <sup>(+4)</sup>	PM5330	PM5340
<b>Installation</b>								
Fast installation, panel mount with integrated display	■	■	■	■	■	■	■	■
Fast installation, DIN rail mountable	-	-	-	-	-	-	-	-
<b>Accuracy</b>								
Class	CL 0.5S	CL 0.5S	CL 0.5S	CL 0.5S	CL 0.5S	CL 0.5S	CL 0.5S	CL 0.5S
<b>Display</b>								
Backlit LCD, multilingual, bar graphs, 6 lines, 4 concurrent values	■	■	■	■	■	■	■	■
<b>Power and energy metering</b>								
3-ph voltage, current, power, demand, energy, frequency, power factor	■	■	■	■	■	■	■	■
Multi-tariff	-	-	4	4	4	4	4	4
MID ready compliance, EN50470-1/3, Annex B & Annex D Class C	-	PM5111	-	-	-	-	PM5331	PM5341
<b>Power quality analysis</b>								
THD, thd, TDD	■	■	■	■	■	■	■	■
Harmonics, individual (odd) up to	15th	15th	31st	31st	31st	31st	31st	31st
Waveform capture & sag/swell detection	-	-	-	-	-	-	-	-
<b>I/Os and relays</b>								
Digital inputs/ Digital output	1DO	1DO	2DI/2DO	2DI/2DO	2DI/2DO	2DI/2DO	2DI/2DO	2DI/2DO
Relays	-	-	-	-	-	-	2	2
Analog inputs	-	-	-	-	-	-	-	-
Residual Current inputs	-	-	-	-	-	-	-	-
<b>Alarms and control</b>								
Alarms	33	33	35	35	35	35	35	35
Set point response time, seconds	1	1	1	1	1	1	1	1
Single and multi-condition alarms	-	-	■	■	■	■	■	■
Boolean alarm logic	-	-	-	-	-	-	-	-
Memory for data logging	-	-	256KB	256KB	256KB	256KB	256KB	256KB
<b>Communications</b>								
Serial ports with modbus protocol	-	1	1	1	-	-	1	-
Ethernet port with Modbus TCP protocol	-	-	-	-	1	1	-	1
BACnet/IP protocol	-	-	-	-	■	■	-	■
EtherNet/IP protocol	-	-	-	-	-	-	-	-
DNP3.0 over Ethernet	-	-	-	-	-	-	-	-
Onboard web server with web pages	-	-	-	-	-	-	-	-
Serial to Ethernet gateway	-	-	-	-	-	-	-	-
Ref. number followed with METSE*	PM5100	PM5110	PM5310	PM5310R <sup>(+4)</sup>	PM5320	PM5320R <sup>(+4)</sup>	PM5330	PM5340

\*See table below for complete commercial reference numbers

<sup>(+4)</sup> PM5310R and PM5320R must be used with Schneider Electric's "Quick Click" 3-in-1 LVCTs

# PM5000 series

## PM5000 series feature selection

	PM5500					PM5600		PM5700
	PM5560	PM5563	PM5563RD	PM5570	PM5580	PM5650	PM5660	PM5760
<b>Installation</b>								
Fast installation, panel mount with integrated display	■	–	–	■	■	■	■	■
Fast installation, DIN rail mountable	–	■	■	–	–	–	–	–
<b>Accuracy</b>								
Class	CL 0.2S	CL 0.2S	CL 0.2S	CL 0.2S	CL 0.2S	CL 0.2S	CL 0.2S	CL 0.2S
<b>Display</b>								
Backlit LCD, multilingual, bar graphs, 6 lines, 4 concurrent values	■	–	■	■	■	■	■	■
<b>Power and energy metering</b>								
3-ph voltage, current, power, demand, energy, frequency, power factor	■	■	■	■	■	■	■	■
Multi-tariff	8	8	8	8	8	8	8	8
MID ready compliance, EN50470-1/3, Annex B & Annex D Class C	PM5561	–	–	–	–	–	PM5661	PM5761
<b>Power quality analysis</b>								
THD, thd, TDD	■	■	■	■	■	■	■	■
Harmonics, individual (odd) up to	63 <sup>rd</sup>	63 <sup>rd</sup>	63 <sup>rd</sup>	63 <sup>rd</sup>	63 <sup>rd</sup>	63 <sup>rd</sup>	63 <sup>rd</sup>	63 <sup>rd</sup>
Waveform capture & sag/swell detection	–	–	–	–	–	8 cycles @ 128 samples/cycle	–	8 cycles @ 128 samples/cycle
<b>I/Os and relays</b>								
Digital inputs/ solid state Digital output	4DI/2DO	4DI/2DO	4DI/2DO	2DI/2DO	4DI/2DO	4DI/2DO	2DI/2DO	2DI/2DO
Relays	–	–	–	–	–	–	–	–
Analog inputs	–	–	–	2	–	–	–	–
Residual Current inputs	–	–	–	–	–	–	2	2
<b>Alarms and control</b>								
Alarms	52	52	52	50	52	54	54	56
Set point response time, seconds	1	1	1	1	1	1	1	1
Single and multi-condition alarms	■	■	■	■	■	■	■	■
Boolean alarm logic	■	■	■	■	■	■	■	■
Memory for data logging	1.1 MB	1.1 MB	1.1 MB	1.1 MB	1.1 MB	1.1 MB	1.1 MB	1.1 MB
<b>Communications</b>								
Serial ports with modbus protocol	1	1	1	1	1	1	1	1
Ethernet port with Modbus TCP protocol	2 <sup>(+5)</sup>	2 <sup>(+5)</sup>	2 <sup>(+5)</sup>	2 <sup>(+5)</sup>	2 <sup>(+5)</sup>	2 <sup>(+5)</sup>	2 <sup>(+5)</sup>	2 <sup>(+5)</sup>
BACnet/IP protocol	■	■	■	■	■	■	■	■
EtherNet/IP protocol	■	■	■	■	■	■	■	■
DNP3.0 over Ethernet	■	■	■	■	■	■	■	■
Onboard web server with web pages	■	■	■	■	■	■	■	■
Serial to Ethernet gateway	■	■	■	■	■	■	■	■
Ref. numbers with METSE*	PM5560	PM5563	PM5563RD	PM5570	PM5580	PM5650	PM5660	PM5760

\*See table below for complete commercial reference numbers

(+5) 2 Ethernet ports for daisy chain, one IP address.

# PM5000 series

## PM5000 technical specifications

		PM5100	PM5300	PM5500	PM5600	PM5700
Use on LV and MV systems				■		
Basic metering with THD and min/max readings				■		
<b>Instantaneous rms values</b>						
Current	Average, per phase, neutral and ground (PM5500)			■		
Voltage	Average, per phase L-L and L-N			■		
Frequency	Any available phase			■		
Real, reactive, and apparent power	Total and per phase			Signed, Four Quadrant		
True Power Factor	Average and per phase			Signed, Four Quadrant		
Displacement PF	Average and per phase			Signed, Four Quadrant		
% Unbalanced I, V L-N, V L-L				■		
Direct monitoring of neutral current		-		■	■	■
<b>Energy values</b>						
Accumulated Active, Reactive and Apparent Energy		Received/Delivered; Net and absolute; Time Counters				
<b>Demand value</b>						
Current average		Present, Last, Predicted, Peak, and Peak Date Time				
Active power		Present, Last, Predicted, Peak, and Peak Date Time				
Reactive power		Present, Last, Predicted, Peak, and Peak Date Time				
Apparent power		Present, Last, Predicted, Peak, and Peak Date Time				
Peak demand with timestamping D/T for current and three powers				■		
Demand calculation	Sliding, fixed and rolling block, thermal methods			■		
Synchronisation of the measurement window to input, communication command or internal clock				■		
Settable Demand intervals				■		
Demand synchronization with pulse input		-			■	
<b>Other measurements</b>						
I/O timer				■		
Operating timer				■		
Load timer				■		
Alarm counters and alarm logs				■		
<b>Power quality measurements</b>						
THD, thd (Total Harmonic Distortion) I, V L-N, V L-L		I, V L-N, V L-L				
TDD (Total Demand Distortion)				■		
Individual harmonics (odds)		15 <sup>th</sup> (PM5110)	31 <sup>st</sup>			63 <sup>rd</sup>
Neutral Current metering with ground current calculation		-	-			■
Waveform capture and sag/swell detection		-	-	-		8 cycles @ 128 samples/cycle
<b>Data recording</b>						
Min/max of instantaneous values, plus phase identification <sup>(+6)</sup>				■		
Alarms with 1s timestamping <sup>(+6)</sup>				■		
Data logging			2 fixed parameters kWh and kVAh with configurable interval & duration (e.g. 2 parameters for minimum 60 days at 15-minute intervals)	Up to 14 selectable parameters with configurable interval and duration (e.g. 6 parameters for minimum 90 days at 15-minute intervals)		
Min/max log		■	■			■
Maintenance, alarm and event logs			■			■
Customisable data logs		-				■
RTC with battery back up		3 years (when meter is in Power OFF condition)				
Display resolution		5 digits for Energy and other parameters with auto scaling				
Preset Energy and Energy scaling		Available in selected references				

<sup>(+6)</sup> Stored in non-volatile memory

# PM5000 series

## PM5000 technical specifications

		PM5100	PM5300	PM5500	PM5600	PM5700
<b>Inputs / Outputs / Mechanical Relays</b>						
Digital inputs		–	2	4 in PM5560, PM5563, PM5580, PM5650 2 in PM5570, PM5660, PM5760		
Digital outputs		1 (kWh only)	2	2 (Solid state)		
Form A Relay outputs		–	2	–		
Analog inputs		–	–	2 for PM5570	–	–
Residual Current inputs		–	–		2 for PM5660	2 for PM5760
Timestamp resolution in seconds		1	1	1	1	1
Whetting source		–	24 V DC, 8 mA	–	–	–
Type of measurement: True rms on three-phase (3P, 3P + N)		64 samples per cycle		128 samples per cycle		
Measurement accuracy	IEC 61557-12	PMD/[SD SS]/K70/0.5		PMD/[SD SS]/K70/0.2		
	Active Energy	Class 0.5S as per IEC 62053-22/ Class 0.5 as per IEC 61557-12/ ± 0.5%		Class 0.2S as per IEC 62053-22/ Class 0.2 as per IEC 61557-12/ ± 0.2%		
	Reactive Energy	Class 2 as per IEC 62053-23/ Class 1.0 as per IEC 61557-12/ ± 1.0%		Class 2 as per IEC 62053-23/ Class 1.0 as per IEC 61557-12/ ± 1.0%		
	Active Power	Class 0.5 as per IEC 61557-12/ ± 0.5%		Class 0.2 as per IEC 61557-12/ ± 0.2%		
	Apparent Power	Class 0.5 as per IEC 61557-12/ ± 0.5%		Class 0.5 as per IEC 61557-12/ ± 0.5%		
	Reactive Power	Class 1.0 as per IEC 61557-12/ ± 1.0%		Class 1.0 as per IEC 61557-12/ ± 1.0%		
	Current, Phase	Class 0.5 as per IEC 61557-12/ ±0.5 %		Class 0.2 as per IEC 61557-12/ ±0.15 %		
	Voltage, L-N	Class 0.5 as per IEC 61557-12/ ± 0.5 %		Class 0.2 as per IEC 61557-12/ ± 0.1 %		
	Frequency	Class 0.05 as per IEC 61557-12/ ±0.05 %		Class 0.05 as per IEC 61557-12/ ±0.05 %		
	Power Factor	Class 0.5 as per IEC 61557-12/ ±0.005 count		Class 0.5 as per IEC 61557-12/ ±0.005 count		
	Voltage unbalance	Class 5/ ±5%		Class 2/ ±2%		
	Voltage harmonics	Class 5/ ±5%		Class 2/ ±2%		
	Voltage THD Class	Class 5/ ±5%		Class 2/ ±2%		
	Current harmonics	Class 5/ ±5%		Class 2/ ±2%		
	Current THD Class	Class 5/ ±5%		Class 2/ ±2%		
MID Directive EN50470-1, EN50470-3	Annex B and Annex D (Optional model references) Class C					
Input-voltage (up to 1.0 MV AC max, with voltage transformer)	Nominal Measured Voltage range	20 V L-N / 35 V L-L to 400 V L-N /690 V L-L absolute range 35 V L-L to 760 V L-L		20 V L-N / 20 V L-L to 400 V L-N /690 V L-L absolute range 20 V L-L to 828 V L-L		
	Impedance	5 MΩ				
	Frequency nominal	50 or 60 Hz ±5 %		50 or 60 Hz ±10 %		
Input-current (configurable for 1 or 5 A secondary CTs)	I nominal	5 A			–	
	Measured Amps with over range	Starting current: 5 mA Operating range: 50 mA to 8.5 A		Starting current: 5 mA Operating range: 50 mA to 10 A (with Crest Factor)		
	Withstand	Continuous 20 A, 10 s/hr 50 A, 1 s/hr 500 A				
	Impedance	< 0.3 mΩ				
	Frequency nominal	50 or 60 Hz ±5 %		50 or 60 Hz ±10 %		
	Burden	<0.026 VA at 8.5 A				
AC control power	Operating range	100 - 277 V AC L-N / 415 V L-L +/-10 % CAT III 300V class per IEC 61010		100-480 V AC ±10 % CAT III 600V class per IEC 61010		
	Burden	<5 W, 11 VA at 415V L-L		<5W/16.0 VA at 480 V AC		
	Frequency	45 to 65 Hz				
	Ride through time at maximum burden	80 mS typical at 120V AC 100 mS typical at 230 V AC 100 mS typical at 415 V AC		35 ms typical at 120 V L-N 129 ms typical at 230 V L-N		
DC control power	Operating range	125–250 V DC ±20 % (100 to 300 V DC)				
	Burden	<4 W at 250 V DC		typical 3.1 W at 125 V DC, max. 5 W		
	Ride-through time	50 mS typical at 125 V DC and maximum burden				
LV DC control power	20-60 V DC ±10 % CAT III Burden 4.1 W max.	–	–	■ PM5580	–	–



# PM5000 series

## PM5000 technical specifications

		PM5100	PM5300	PM5500	PM5600	PM5700	
Outputs	Relay outputs	Max output frequency	–	0.5 Hz maximum (1 s ON / 1 s OFF - min times)	–	–	
		Switching current, at resistive load	–	250 V AC at 8.0 Amps, 25 k cycles 30 V DC at 2.0 Amps, 75 k cycles 30 V DC at 5.0 Amps, 12.5 k cycles	–	–	–
		Isolation	–	2.5 kV rms	–	–	–
	Digital outputs	Max load voltage	40 V DC		40 V AC / 60 V DC (PM5500 and PM 5650) 30 V AC / 40 V DC (PM5660, PM5661, PM5760, PM5761)		
		Max load current	20 mA		125 mA (Solid state)		
		On Resistance	50 Ω max		8 Ω		
		Meter constant	from 1 to 9,999,999 pulses per k_h (kWh, kVAh, kVARh)				
		Pulse width for Digital Output	50 % duty cycle				
		Pulse frequency for Digital Output	25 Hz max.				
		Leakage current	0.3 micro Amps		1 micro Amps		
	Optical outputs	Isolation	5 kV rms		2.5 kV rms for 60 s		
		Pulse width (LED)	200 ms				
		Pulse frequency	2.5 kHz. max		2.5 kHz. max		
	Status Inputs	Meter constant	from 1 to 9,999,999 pulses per k_h (kWh, kVAh, kVARh)				
		ON Voltage	–	18.5 to 36 V DC	15 to 30 V AC / 15 to 60 V DC max		
OFF Voltage		–	0 to 4 V DC	0 to 6 V AC / 0 to 6 V DC			
Input Resistance		–	110 k Ω	100 k Ω			
Maximum Frequency		–	2 Hz (T ON min = T OFF min = 250 ms)	25 Hz (T ON min = T OFF min = 20 ms)			
Response Time		–	20 ms	10 ms			
Opto Isolation		–	5 kV rms	2.5 kV rms for 60 s			
Whetting output		–	24 V DC/ 8 mA max	-			
Input Burden	–	2 mA @24V DC	2 mA @ 24 V AC/DC 2.5 mA @ 60 V AC/DC				
Analog inputs (PM5570)		–		4 - 20 mA DC (nominal), Accuracy: 1% of full-scale reading, Impedance < 20 Ω, Operating voltage: 24 V DC max		–	
Residual Current inputs (PM5660, PM5661, PM5760, PM5761) Type A as per IEC 60200		–				5 uA to 1200 uA (nominal), 1500 uA max (continuous), Input type: AC 45 to 65 Hz, Burden: 150 Ω, Default toroid: 1000 turns	
<b>Mechanical characteristics</b>							
Product weight		380 g	430 g	450 g	450 g	450 g	
IP degree of protection (IEC 60529)		IP54 front display, IP30 rear side (IP65 front side with Optional accessory kit METSEIP65OP96X96FF)					
Dimensions W x H x D [protrusion from cabinet]		96 x 96 x 72 mm (77 mm for PM5500) (depth of meter from housing mounting flange) [13 mm]					
Mounting position		Vertical					
Panel thickness		6 mm maximum					
<b>LVCT <sup>(*)</sup> inputs for PM5310R and PM5320R - Nominal voltage of 0.333V</b>							
Measurement range		-	0.00333V - 0.4V	-	-	-	

(\*) PM5310R and PM5320R must be used with Schneider Electric's "Quick Click" 3-in-1 LVCTs

# PM5000 series

## PM5000 technical specifications

		PM5100	PM5300	PM5500	PM5600	PM5700
<b>Environmental characteristics</b>						
Operating temperature	Operating temperature	-25 °C to 70 °C				
	Display (reduced display performance at -25 °C)	-25 °C to 70 °C				
Storage temperature		-40 °C to 85 °C				
Humidity range		5 to 95 % RH at 50 °C (non-condensing)				
Pollution degree		2				
Altitude		2000 m CAT III / 3000 m CAT II		3000 m max. CAT III		
Mission profile / Life span		>15 years				
<b>Electromagnetic compatibility</b>						
Harmonic current emissions		–	–	IEC 61000-3-2		
Flicker emissions		–	–	IEC 61000-3-3		
Electrostatic discharge		IEC 61000-4-2				
Immunity to radiated fields		IEC 61000-4-3				
Immunity to fast transients		IEC 61000-4-4				
Immunity to surge		IEC 61000-4-5				
Conducted immunity 150 kHz to 80 MHz		IEC 61000-4-6				
Immunity to magnetic fields		IEC 61000-4-8				
Immunity to voltage dips		IEC 61000-4-11				
Immunity to damped oscillatory waves		–	–	IEC 61000-4-12		
Radiated and conducted emissions		FCC part 15, EN 55022 Class B				
<b>Safety</b>						
Europe		CE, as per IEC 61010-1 Ed. 3, IEC 62052-11 & IEC 61557-12				
U.S. and Canada		cULus as per UL 61010-1 (Edition 3)				
Measurement category (Voltage & Current inputs)		CAT III up to 400 V L-N / 690 V L-L				
Dielectric		As per IEC/UL 61010-1 (Edition 3)				
Protective Class		II, Double insulated for user accessible parts				
<b>Communication</b>						
RS-485 port Modbus RTU, Modbus ASCII (7 or 8 bit), JBUS		2-Wire, 9600,19200 or 38400 baud, Parity - Even, Odd, None, 1 stop bit if parity Odd or Even, 2 stop bits if None; (Optional in PM51x and PM53x)				
Ethernet port: 10/100 Mbps; Modbus TCP/IP		–	1 Optional	2 (daisy chain only, 1 IP address)		
Native Ethernet/IP & DNP3.0 over Ethernet		–	–	Yes	Yes	Yes
Firmware and language file update		Meter firmware update via the communication ports				
Isolation		2.5 kVrms, double insulated				
<b>Human machine interface</b>						
Display type		Monochrome Graphics LCD				
Resolution		128 x 128 pixels				
Backlight		White LED				
Viewable area (W x H)		67 x 62.5 mm				
Keypad		4-button				
Indicator Heartbeat / Communication activity		Green LED				
Energy pulse output / Active alarm (configurable)		Optical, amber LED				
Wavelength		590 to 635 nm				
Maximum pulse rate		2.5 kHz				

# PM5000 series

Comm. ref numbers	Description
METSEPM5100	Power Meter, 600V AC L-L/ 5A or 1A input, 415V AC L-L or 250V DC control power, CI 0.5S, 15th harmonic, 1DO
METSEPM5110	Power Meter, 600V AC L-L/ 5A or 1A input, 415V AC L-L or 250V DC control power, CI 0.5S, 15th harmonic, 1DO, RS-485
METSEPM5111	Power Meter, 600V AC L-L/ 5A or 1A input, 415V AC L-L or 250V DC control power, CI 0.5S, 15th harmonic, 1DO, RS-485, MID
METSEPM5310	Power Meter, 600V AC L-L/ 5A or 1A input, 415V AC L-L or 250V DC control power, CI 0.5S, 31st harmonic, 256 kB, 2DI/2DO, RS-485
METSEPM5310R	Power Meter, 600V AC L-L/ RJ45 LVCT input, 415V AC L-L or 250V DC control power, CI 0.5S, 31st harmonic, 256 kB, 2DI/2DO, RS-485
METSEPM5320	Power Meter, 600V AC L-L/ 5A or 1A input, 415V AC L-L or 250V DC control power, CI 0.5S, 31st harmonic, 256 kB, 2DI/2DO, Ethernet
METSEPM5320R	Power Meter, 600V AC L-L/ RJ45 LVCT input, 415V AC L-L or 250V DC control power, CI 0.5S, 31st harmonic, 256 kB, 2DI/2DO, Ethernet
METSEPM5330	Power Meter, 600V AC L-L/ 5A or 1A input, 415V AC L-L or 250V DC control power, CI 0.5S, 31st harmonic, 256 kB, 2DI/2DO/2-Relay, RS-485
METSEPM5331	Power Meter, 600V AC L-L/ 5A or 1A input, 415V AC L-L or 250V DC control power, CI 0.5S, 31st harmonic, 256 kB, 2DI/2DO/2-Relay, RS-485, MID
METSEPM5340	Power Meter, 600V AC L-L/ 5A or 1A input, 415V AC L-L or 250V DC control power, CI 0.5S, 31st harmonic, 256 kB, 2DI/2DO/2-Relay, Ethernet
METSEPM5341	Power Meter, 600V AC L-L/ 5A or 1A input, 415V AC L-L or 250V DC control power, CI 0.5S, 31st harmonic, 256 kB, 2DI/2DO/2-Relay, Ethernet, MID
METSEPM5560	Power Meter, 690V AC L-L/ 5A or 1A input, 480V AC L-L or 250V DC control power, CI 0.2S, 63rd harmonic, 1.1 MB, 4DI/2-DO, RS-485, Ethernet
METSEPM5561	Power Meter, 690V AC L-L/ 5A or 1A input, 480V AC L-L or 250V DC control power, CI 0.2S, 63rd harmonic, 1.1 MB, 4DI/2-DO, RS-485, Ethernet, MID
METSEPM5562	Power Meter, 690V AC L-L/ 5A or 1A input, 480V AC L-L or 250V DC control power, CI 0.2S, 63rd harmonic, 1.1 MB, 4DI/2-DO, RS-485, Ethernet, RMI CAN approved, Hwardware lockable
METSEPM5562MC	Power Meter, 690V AC L-L/ 5A or 1A input, 480V AC L-L or 250V DC control power, CI 0.2S, 63rd harmonic, 1.1 MB, 4DI/2-DO, RS-485, Ethernet, RMI CAN approved, Factory sealed
METSEPM5563	Power Meter, 690V AC L-L/ 5A or 1A input, 480V AC L-L or 250V DC control power, CI 0.2S, 63rd harmonic, 1.1 MB, 4DI/2-DO, RS-485, Ethernet, DIN mount, No display
METSEPM5563RD	Power Meter, 690V AC L-L/ 5A or 1A input, 480V AC L-L or 250V DC control power, CI 0.2S, 63rd harmonic, 1.1 MB, 4DI/2-DO, RS-485, Ethernet, DIN mount, Remote display
METSEPM5570	Power Meter, 690V AC L-L/ 5A or 1A input, 480V AC L-L or 250V DC control power, CI 0.2S, 63rd harmonic, 1.1 MB, 2DI/2AI/2-DO, RS-485, Ethernet
METSEPM5580	Power Meter, 690V AC L-L/ 5A or 1A input, 24 to 64V DC control power, CI 0.2S, 63rd harmonic, 1.1 MB, 4DI/2-DO, RS-485, Ethernet
METSEPM5650	Power Meter, 690V AC L-L/ 5A or 1A input, 480V AC L-L or 250V DC control power, CI 0.2S, 63rd harmonic, 1.1 MB, 4DI/2-DO, RS-485, Ethernet, Wave Form Capture and Sag/swell
METSEPM5660	Power Meter, 690V AC L-L/ 5A or 1A input, 480V AC L-L or 250V DC control power, CI 0.2S, 63rd harmonic, 1.1 MB, 2DI/2-DO, RS-485, Ethernet, Residual Current Monitor
METSEPM5661	Power Meter, 690V AC L-L/ 5A or 1A input, 480V AC L-L or 250V DC control power, CI 0.2S, 63rd harmonic, 1.1 MB, 2DI/2-DO, RS-485, Ethernet, Residual Current Monitor, MID
METSEPM5760	Power Meter, 690V AC L-L/ 5A or 1A input, 480V AC L-L or 250V DC control power, CI 0.2S, 63rd harmonic, 1.1 MB, 2DI/2-DO, RS-485, Ethernet, Wave Form Capture and Sag/swell, Residual current monitor
METSEPM5761	Power Meter, 690V AC L-L/ 5A or 1A input, 480V AC L-L or 250V DC control power, CI 0.2S, 63rd harmonic, 1.1 MB, 2DI/2-DO, RS-485, Ethernet, Wave Form Capture and Sag/swell, Residual current monitor, MID
<b>Residual Current Monitoring Toroids (Vigirex) - Closed Toroids, A Type</b>	
50437	TA30 - closed toroid A type, for RCM enabled power meters, 30 mm inner diameter, rated current 65 Amps, 1000 turns
50438	PA50 - closed toroid A type, for RCM enabled power meters, 50 mm inner diameter, rated current 85 Amps, 1000 turns
50439	IA80 - closed toroid A type, for RCM enabled power meters, 80 mm inner diameter, rated current 160 Amps, 1000 turns
50440	MA120 - closed toroid A type, for RCM enabled power meters, 120 mm inner diameter, rated current 250 Amps, 1000 turns
50441	SA200 - closed toroid A type, for RCM enabled power meters, 200 mm inner diameter, rated current 400 Amps, 1000 turns
50442	GA300 - closed toroid A type, for RCM enabled power meters, 300 mm inner diameter, rated current 630 Amps, 1000 turns
<b>Accessories for Closed Toroids</b>	
56055	Magnetic ring/ Iron screen accessory for TA30 toroid sensor
56056	Magnetic ring/ Iron screen accessory for PA50 toroid sensor
56057	Magnetic ring/ Iron screen accessory for IA80 toroid sensor
56058	Magnetic ring/ Iron screen accessory for MA120 toroid sensor
<b>Residual Current Monitoring Toroids (Vigirex) - Split Toroids, OA Type</b>	
50420	TOA80 - split toroid OA type, 80 mm inner diameter, rated current 160 Amps, 1000 turns
50421	TOA120 - split toroid OA type, 120 mm inner diameter, rated current 250 Amps, 1000 turns
56053	L1 type - rectangular sensor, width 280 x height 115 mm, rated current 1600 Amps, 1000 turns
56054	L2 type - rectangular sensor, width 470 x height 160 mm, rated current 3200 Amps, 1000 turns

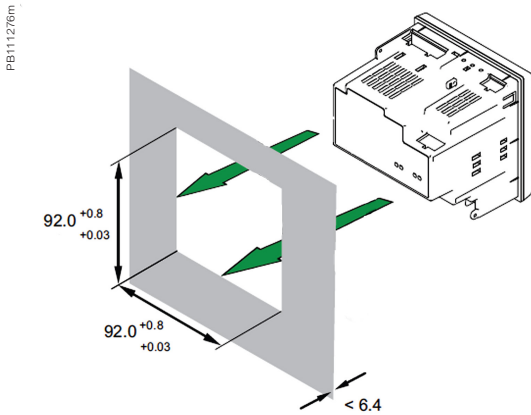
## PM5300R series commercial reference numbers

Comm. ref numbers	Description
0.333V (1/3 Volts), 3-in-1 CTs with RJ45 connectors for PM53x0R LVCT enabled power meter	
METSECTV25006	LVCT Solid core 3 in 1 with RJ45 cable, 25 mm phase center, 60 Amps, 0.333V output
METSECTV25010	LVCT Solid core 3 in 1 with RJ45 cable, 25 mm phase center, 100 Amps, 0.333V output
METSECTV25013	LVCT Solid core 3 in 1 with RJ45 cable, 25 mm phase center, 125 Amps, 0.333V output
METSECTV25016	LVCT Solid core 3 in 1 with RJ45 cable, 25 mm phase center, 160 Amps, 0.333V output
METSECTV35006	LVCT Solid core 3 in 1 with RJ45 cable, 35 mm phase center, 60 Amps, 0.333V output
METSECTV35010	LVCT Solid core 3 in 1 with RJ45 cable, 35 mm phase center, 100 Amps, 0.333V output
METSECTV35012	LVCT Solid core 3 in 1 with RJ45 cable, 35 mm phase center, 120 Amps, 0.333V output
METSECTV35013	LVCT Solid core 3 in 1 with RJ45 cable, 35 mm phase center, 125 Amps, 0.333V output
METSECTV35015	LVCT Solid core 3 in 1 with RJ45 cable, 35 mm phase center, 150 Amps, 0.333V output
METSECTV35016	LVCT Solid core 3 in 1 with RJ45 cable, 35 mm phase center, 160 Amps, 0.333V output
METSECTV35020	LVCT Solid core 3 in 1 with RJ45 cable, 35 mm phase center, 200 Amps, 0.333V output
METSECTV35025	LVCT Solid core 3 in 1 with RJ45 cable, 35 mm phase center, 250 Amps, 0.333V output
METSECTV45025	LVCT Solid core 3 in 1 with RJ45 cable, 45 mm phase center, 250 Amps, 0.333V output
METSECTV45030	LVCT Solid core 3 in 1 with RJ45 cable, 45 mm phase center, 300 Amps, 0.333V output
METSECTV45040	LVCT Solid core 3 in 1 with RJ45 cable, 45 mm phase center, 400 Amps, 0.333V output
METSECTV45050	LVCT Solid core 3 in 1 with RJ45 cable, 45 mm phase center, 500 Amps, 0.333V output
METSECTV45060	LVCT Solid core 3 in 1 with RJ45 cable, 45 mm phase center, 600 Amps, 0.333V output
METSECTV45063	LVCT Solid core 3 in 1 with RJ45 cable, 45 mm phase center, 630 Amps, 0.333V output
METSECTV29006	LVCT Solid core 3 in 1 with RJ45 cable, 29 mm phase center, 60 Amps, 0.333V output
METSECTV29010	LVCT Solid core 3 in 1 with RJ45 cable, 29 mm phase center, 100 Amps, 0.333V output
METSECTV29012	LVCT Solid core 3 in 1 with RJ45 cable, 29 mm phase center, 120 Amps, 0.333V output
METSECTV29013	LVCT Solid core 3 in 1 with RJ45 cable, 29 mm phase center, 125 Amps, 0.333V output
METSECTV29015	LVCT Solid core 3 in 1 with RJ45 cable, 29 mm phase center, 150 Amps, 0.333V output
METSECTV29016	LVCT Solid core 3 in 1 with RJ45 cable, 29 mm phase center, 160 Amps, 0.333V output
METSECTV29020	LVCT Solid core 3 in 1 with RJ45 cable, 29 mm phase center, 200 Amps, 0.333V output
METSECTV70080	LVCT Solid core 3 in 1 with RJ45 cable, 70 mm phase center, 800 Amps, 0.333V output
METSECTV70100	LVCT Solid core 3 in 1 with RJ45 cable, 70 mm phase center, 1000 Amps, 0.333V output
METSECTV70125	LVCT Solid core 3 in 1 with RJ45 cable, 70 mm phase center, 1250 Amps, 0.333V output
Cables	
METSEPM5CAB03	RJ25 cable assembly for interfacing PM5563 meter and PM5RD remote display with 0.3 meter cable length
METSEPM5CAB1	RJ25 cable assembly for interfacing PM5563 meter and PM5RD remote display with 1.0 meter cable length
METSEPM5CAB10	RJ25 cable assembly for interfacing PM5563 meter and PM5RD remote display with 10 meter cable length
METSEPM5CAB3	RJ25 cable assembly for interfacing PM5563 meter and PM5RD remote display with 3 meter cable length
METSEPM5CAB4	RJ25 cable assembly for interfacing PM5563 meter and PM5RD remote display with 4 meter cable length
Other related products	
METSEPM5RD	Remote display unit for PM5563 power meter supplied with mounting bracket, gasket, anti-rotation pin and RJ25 cable METSEPM5CABxy
METSEPM51HK	Hardware kit for PM51xx comprises 2 retainer clips and spare connectors for - Voltage in, Control power in, Digital IO & RS-485
METSEPM53HK	Hardware kit for PM51xx comprises 2 retainer clips and spare connectors for - Voltage in, Control power in, Digital IO, Relay & RS-485
METSEPM51_3RSK	Revenue sealing kit for PM51XX & PM53XX
METSEPM55RSK	Revenue sealing kit for PM55XX
METSEPM55HK	Hardware kit for PM55xx
METSEPM5CAB3	Remote Display cable

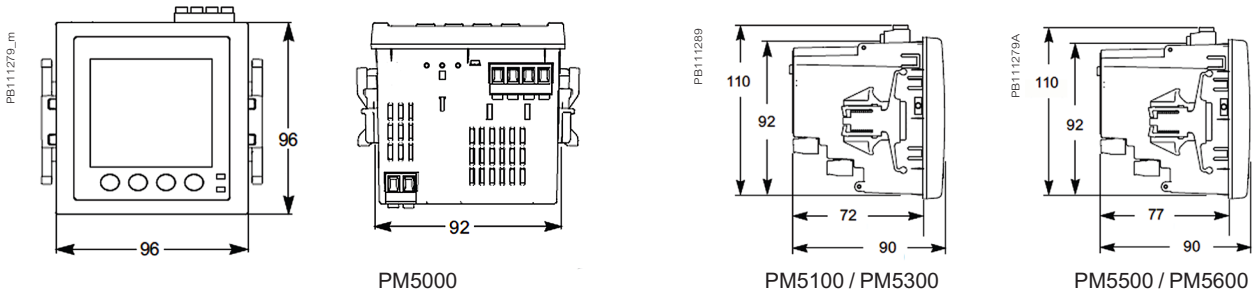
Please contact your Schneider Electric representative for complete ordering information.

# PM5000 series

## PM5000 Series meter flush mounting



## PM5000 series meter dimensions



## PM5000 series overview

PM5000 meter parts

- A** Menu selection buttons
- B** LED indicators
- C** Navigation or menu selections
- D** Maintenance and alarm notification area

PM5500 / PM5600 meter parts

- E** Voltage inputs
- F** RS-485 comms
- G** Digital inputs
- H** Current inputs
- I** Digital outputs
- J** Ethernet ports
- K** Control power

PM5100 / PM5300 meter parts

- E** Relay output (PM5300 only)
- F** Voltage inputs
- G** Control power
- H** Current inputs
- I** Status inputs/digital outputs
- J** Communications port: Ethernet (PM5300 only) or RS-485

Please see the appropriate **Installation Guide** for accurate and complete information on the installation of this product.

# PowerLogic™ PM5350 series

The PowerLogic™ PM5350 series power meters are the new benchmark in affordable, precision metering.

The PowerLogic™ PM5350, PM5350IB, PM5350PB, and PM5350P power meters offer all the measurement capabilities required to monitor an electrical installation in a space-efficient, single 96 x 96 mm unit with small depth. DNC certifies for marine applications.

## Applications

- Panel instrumentation.
- Cost allocation or energy management
- Electrical installation remote monitoring
- Sophisticated alarming
- Circuit breaker monitoring and control



METSEPM5350P

### The solution for

Markets that can benefit from a solution that includes PowerLogic™ PM5350 series meters:

- Buildings
- Industry
- Healthcare
- Data Centre and networks
- Infrastructure

### Benefits

#### System integrators' benefit

- Ease of integration
- Ease of setup
- Cost effectiveness

#### Panel builders' benefit

- Ease of installation
- Cost effectiveness
- Aesthetically pleasing
- Simplified ordering

#### End users' benefit

- Ease of use
- Precision metering & sub-billing
- Billing flexibility
- Comprehensive, consistent and superior performance

### Competitive advantages

- Easy to install and operate
- Easy for circuit breaker monitoring and control
- Power quality analysis
- Load management combined with alarm and timestamping
- High performance and accuracy
- Multi-tariff capabilities
- Individual harmonics up to 31<sup>st</sup>

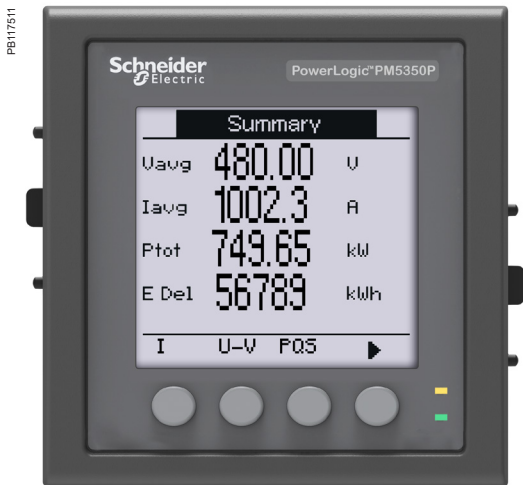
### Power management solutions

Schneider Electric provides innovative power management solutions to increase your energy efficiency and cost savings, maximise electrical network reliability and availability, and optimise electrical asset performance.

### Conformity of standards

- IEC 62053-22
- IEC 61557-12
- IEC 62053-23
- IEC/UL 61010-1
- IEC 61326-1
- UL 61010-1
- IEC 61000-3-3
- FCC part 15 Class A
- DNV GL certified

# PM5350 series



Front display of PowerLogic™ PM5350P front display



Rear view of PowerLogic™ PM5350P

The PowerLogic™ PM5350 series power meter offer electrical installation measurement capabilities in a single 96 x 96 mm unit. Three-phases and neutral can be monitored simultaneously using a bright, anti-glare display with large characters and backlighting. Menus are intuitive and the meter supports English, Chinese, Hebrew, and Spanish languages. Its compact size and high performance make the PowerLogic™ PM5350 series suitable for many applications.

• Applications

- Panel instrumentation.
- Cost allocation or energy management.
- Electrical installation remote monitoring.
- Alarming with under/over, digital status, control power interruption, meter reset, self diagnostic issue.
- Circuit Breaker monitoring and control with relay outputs and whetted digital inputs.

• Main characteristics

- Easy to install
  - Mounts using two clips, no tools required. Ultra compact meter with 44 mm depth connectable up to 480 V L-L without voltage transformers for installations compliant with category III, as per IEC 61010-1. See specification table for UL voltage limits.
- Easy to operate
  - Intuitive navigation with self-guided, language selectable menus, six lines, four concurrent values. Two LEDs help confirm normal operation.
- Easy circuit breaker monitoring and control
  - Two relay outputs (high performance) to command most circuit breaker coils directly. Monitored switches can be wired directly without external power supply.
- System status at a glance
  - Bright, anti-glare, backlit display plus two LEDs; orange for energy pulse or alarm and green for heartbeat/communications indication.
- IEC 62053-22 class 0.5S accuracy for active energy
  - Accurate energy measurement for cost allocation.
- Power Quality analysis
  - The PM5350P offers THD and TDD measurements as standard. Total Demand Distortion is based on a point of common coupling (PCC), which is a common point that each user receives power from the power source. The TDD compares the contribution of harmonics versus the maximum demand load. In addition, it has individual harmonics (odd) measurement up to 31st harmonics. These types of power quality parameters help to identify the source of harmonics that can harm transformers, capacitors, generators, motors and electronic equipment.

• Load management

- Peak demands with Timestamping are provided. Predicted demand values can be used in basic load shedding applications. Alarming with timestamping
- Over 30 alarm conditions, such as under/over conditions, digital input changes, and phase unbalance inform you of events. A time-stamped log maintains a record of the last 40 alarm events.
- Load timer setpoint adjustable to monitor and advise maintenance requirements.
- Performance Standard Meets IEC 61557-12 PMD/Sx/K70/0.5.

Commercial reference number	Description
METSEPM5350	RS-485 Modbus, THD, 4DI, 2Relay
METSEPM5350IB	RS-485, 4DI/2Relay, Multi-level alarm, UL480V, 4DI/2Relay
METSEPM5350PB	RS-485, 4DI/2Relay, Multi-level alarm, UL300V, 4DI/2Relay
METSEPM5350P	RS-485 Modbus, THD, 31st Individual harmonics, Multi-tariff, 4DI/2Relay



# PM5350 series

Feature guide		PM5350P	PM5350	PM5350IB	PM5350PB
<b>General</b>					
Use on LV and MV systems				■	
Basic metering with THD and min/max readings				■	
<b>Instantaneous rms values</b>					
Current	Total, Phases and neutral			■	
Voltage	Total, Ph-Ph and Ph-N			■	
Frequency				■	
Real, reactive, and apparent power	Total and per phase			Signed	
True Power Factor	Total and per phase			Signed, Four Quadrant	
Displacement PF	Total and per phase			Signed, Four Quadrant	
Unbalanced I, VL-N, VL-L				■	
Accumulated Active, Reactive and Apparent Energy Stored in non-volatile memory		Received/Delivered; Net and absolute;			
<b>Demand values</b>					
Current average	Present, Last, Predicted, Peak, & Peak Date Time			■	
Active power	Present, Last, Predicted, Peak, & Peak Date Time			■	
Reactive power	Present, Last, Predicted, Peak, & Peak Date Time			■	
Apparent power	Present, Last, Predicted, Peak, & Peak Date Time			■	
Multi-tariff		16 tariffs			
Peak demand with timestamping D/T for current & powers				■	
Demand calculation	Sliding, fixed and rolling block, thermal		■		
Synchronization of the measurement window			■		
<b>Other measurements</b>					
I/O timer			■		
Operating timer			■		
Active load timer			■		
Alarm counters			■		
<b>Power quality measurements</b>					
THD, thd (Total Harmonic Distortion)				I, V L-N, V L-L	
TDD, thd (Total Demand Distortion)				■	
Harmonics Individual (Odd)		31st			
<b>Data recording</b>					
Min/max of instantaneous values, plus phase identification				■	
Alarms with 1s timestamping				Standard 29; Unary 4; Digital 4	
Alarms stored in non-volatile memory				40 events	
<b>Inputs/Outputs</b>					
Digital inputs				4 (DI1, DI2, DI3, DI4)	
Digital outputs				2 relay outputs (DO1, DO2)	
<b>Display</b>					
White backlit LCD display, 6 lines, 4 concurrent values				■	
IEC or IEEE visualization mode				■	
<b>Communication</b>					
Modbus RTU, Modbus ASCII, Jbus Protocol				■	
Firmware update via RS-485 serial port (DLF3000 via the Schneider Electric website: www.se.com)				■	

# PM5350 series

Electrical characteristics			PM5350	PM5350P	PM5350PB/IB
Type of measurement		True rms measurement in 1P, 2P, 3P network, supports 13 wiring schemes. 32 samples per cycle, zero blind	■	31 <sup>st</sup>	■
Measurement accuracy	Current, Phase <sup>(1)</sup>	±0.30 %	■	0.2% (Avg A)	■
	Voltage, L-N <sup>(1)</sup>	±0.30 %	■	0.2% (Avg A)	■
	Power Factor <sup>(1)</sup>	±0.005		■	
	Power, Phase <sup>(2)</sup>	IEC 61557-12 Class 0.5; For 5 A nominal CT		■	
	Frequency <sup>(1)</sup>	±0.05 %		■	
	Real Energy <sup>(3)</sup>	IEC 62053-22 Class 0.5S IEC 61557-12 Class 0.5		■	
	Reactive Energy <sup>(4)</sup>	IEC 62053-23 Class 2 IEC 61557-12 Class 2		■	
Data update rate		1 second nominal (50/60 cycles)		■	
Input-voltage	VT primary	1.0 MV AC max, starting voltage depends on VT ratio		■	
	U <sub>nom</sub>	277 V L-N		■	
	Measured voltage with overrange & Crest Factor	IEC: 20 to 480 V AC L-L; 20 to 277 V AC L-N, CAT III IEC: 20 to 690 V AC L-L; 20 to 400 V AC L-N, CAT II UL: 20 to 300 V AC L-L, CAT III		■	■ and UL: 20 to 480 V AC L-L
	Permanent overload	700 V AC L-L, 404 V AC L-N		■	
	Impedance	10 MΩ		■	
	Burden	0.2 VA at 240 V AC L-N		■	
	Frequency range	45 to 70 Hz	■	45 to 65 Hz	■
Input-current	CT ratings   Secondary	1 A, 5 A nominal		■	
	Measured voltage with overrange & crest factor	5 mA to 9 A		■	
	Withstand	Continuous 20 A, 10 sec/hr 50 A, 1 sec/hr 500 A		■	
	Impedance	< 0.3 mΩ		■	
	Frequency range	45 to 70 Hz		■	
	Burden	< 0.024 VA at 9 A		■	
AC control power	Operating range	85 - 265 V AC		■	
	Burden	At 120 V AC, 4.1 VA / 1.5 W typical At 230 V AC, 6.3 VA / 2.0 W typical At 265 V AC, 9.6 VA / 3.5 W typical	6.7 VA / 2.7 W 8.6 VA / 2.9 W 11.9 VA / 3.5 W	7 VA / 4 W 9 VA / 5 W 11.9 VA / 5 W	6.7 VA / 2.7 W 8.6 VA / 2.9 W 11.9 VA / 3.5 W
	Frequency	45 to 65 Hz		■	
	Ride-through time	Typical at 120 V AC and with maximum burden Typical at 230 V AC and with maximum burden	100 mS 400 mS	40 mS 250 mS	100 mS 400 mS
DC control power	Operating range	100 to 300 V DC		■	
	Burden	Typical/ Maximum at 125 V DC Typical/ Maximum at 250 V DC Typical Maximum at 300 V DC	1.4 W / 2.6 W 1.8 W / 2.7 W 3.8 W max	4 W max 5 W max 5 W max	1.4 W / 2.6 W 1.8 W / 2.7 W 3.8 W max
	Ride-through time	Typical at 125 V DC and with maximum burden	50 mS	30 mS	50 mS
Real time clock	Battery backup	30 seconds ride-through	■	3 years backup without control power	■
Digital output	Number/Type	2 - Mechanical Relays		■	
	Output frequency	0.5 Hz maximum (1 second ON / 1 second OFF - minimum times)		■	
	Switching Current	30 V DC, 5 A 250 V AC, 8 A Cos φ = 1 250 V AC, 6 A Cos φ = 0.4		■	
	Isolation	2.5 kVrms		■	
Status Digital Inputs	Voltage ratings	ON 18.5 to 36 V DC, OFF 0 to 4 V DC		■	
	Input Resistance	110 k Ω		■	
	Maximum Frequency	2 Hz (T ON min = T OFF min = 250 ms)		■	
	Response Time	10 ms		■	
	Isolation	2.5 kVrms		■	
Whetting output	Nominal voltage	24 V DC		■	
	Allowable load	4 mA		■	
	Isolation	2.5 kVrms		■	

<sup>(1)</sup> Measurements taken from 45 Hz to 65 Hz, 0.5 A to 9 A, 57 V to 347 V & 0.5 ind to 0.5 cap power factor with a sinusoidal wave.

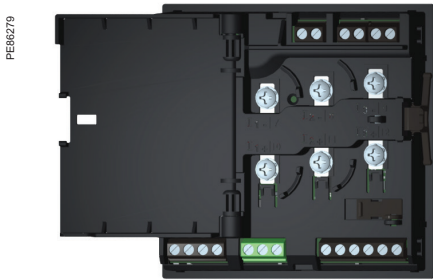
<sup>(2)</sup> Active power: ±0.5 % from 0.25 A to 9.0 A at Cos φ = 1, ±0.6 % from 0.50 A to 9.0 A at Cos φ = 0.5 (ind or cap)

<sup>(3)</sup> Real/active Energy: ±0.5 % from 0.25 A to 9.0 A at Cos φ = 1, ±0.6 % from 0.50 A to 9.0 A at Cos φ = 0.5 (ind or cap) IEC 61557-12 Class 0.5

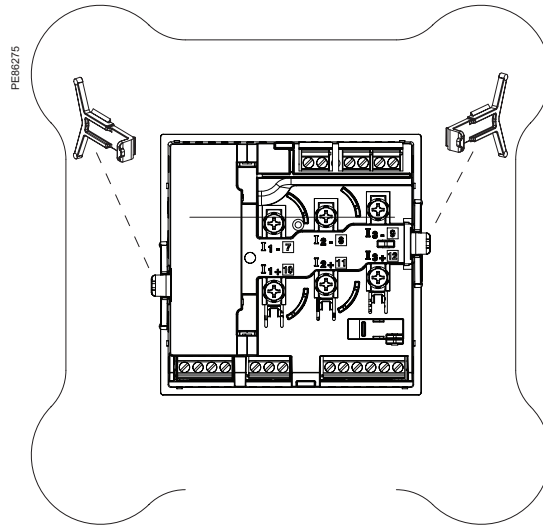
<sup>(4)</sup> Reactive energy: ±2.0 % from 0.25 A to 9.0 A at Sin φ = 1 ±2.5 % from 0

# PM5350 / PM5350P series

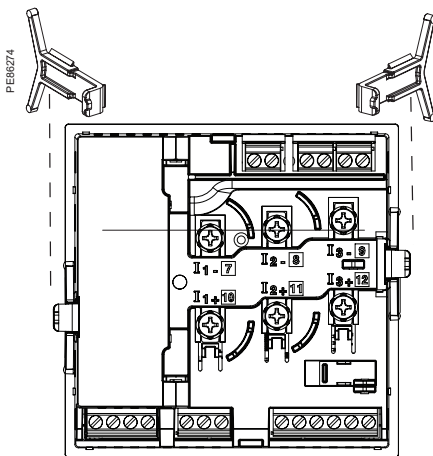
Rear of meter - open



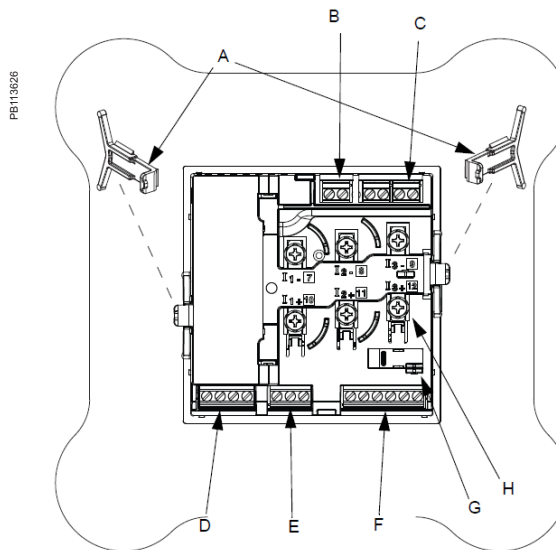
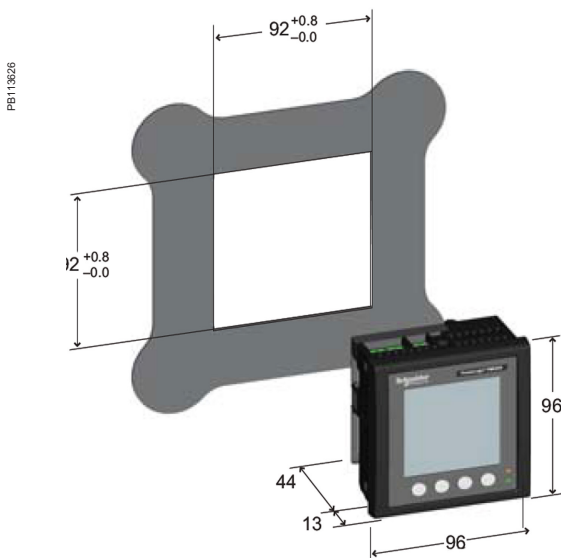
Rear view retainers - users



Rear view retainers - installation



For detailed installation instructions see the product's Installation Guide.

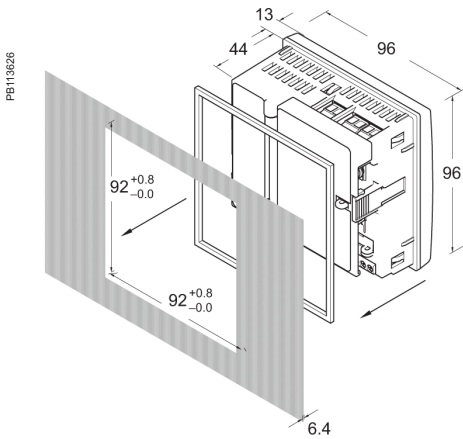


PM5350 / PM5350P meter parts

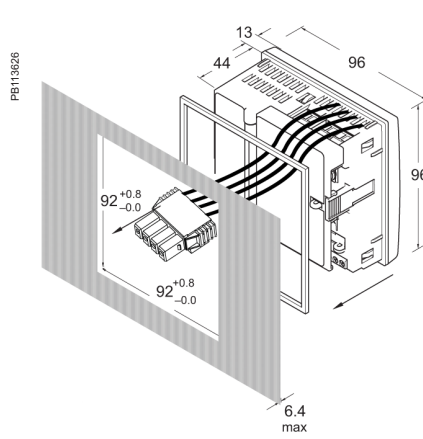
- A Retainer clips.
- B Control power supply connector.
- C Voltage inputs.
- D Digital outputs.
- E RS-485 port (COM1).
- F Digital input.
- G Optical revenue switch.
- H Current inputs.

For detailed installation instructions see the product's Installation Guide.

# PM5350IB/PB series

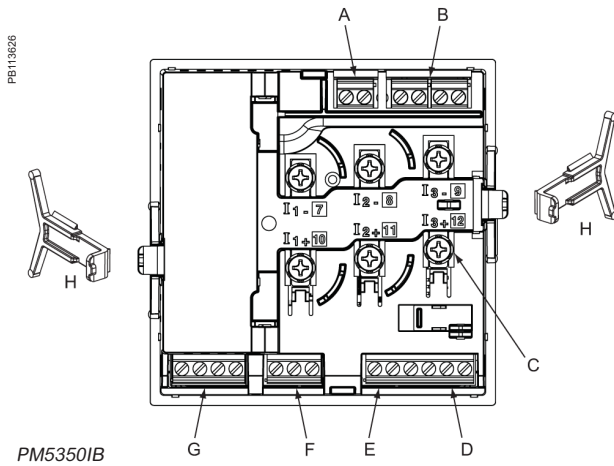


Dimensions PM5350IB

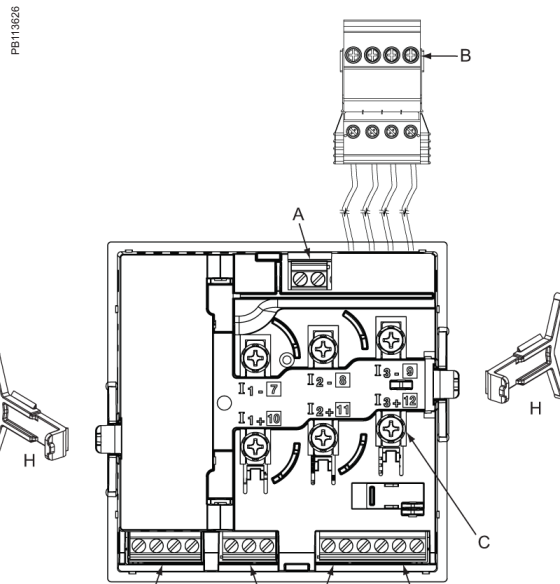


Dimensions PM5350PB

## Parts of PM5350IB and PM5350PB (rear panel door removed)

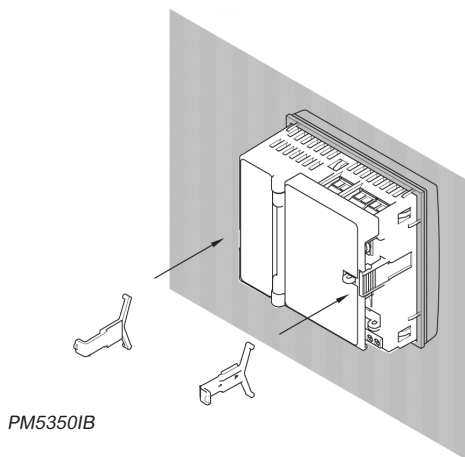


PM5350IB

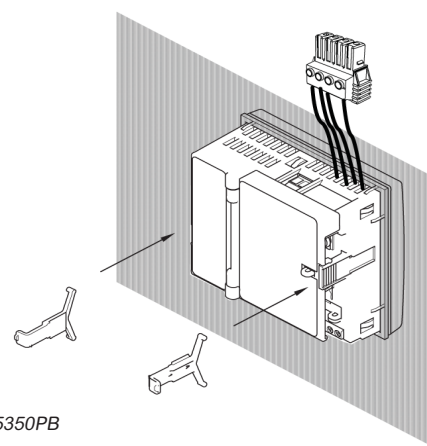


PM5350PB

- A Control power
- B Voltage inputs
- C Current inputs
- D Digital inputs
- E Whetting voltage source (for digital inputs)
- F RS-485 communications
- G Digital outputs
- H Retainer clips



PM5350IB



PM5350PB

For detailed installation instructions see the product's Installation Guide.

# EcoStruxure™ Panel Server

## IoT for an intelligent power network

The EcoStruxure™ Panel Server is the next generation of gateway, providing a seamless connection of wired or unwired smart IoT devices to your edge control software or advisor. It is a foundational enabler for Schneider Electric EcoStruxure™ solutions.

### Electrical safety

Panel Server is an integral part of Schneider Electric’s continuous thermal monitoring application, helping reduce risk of electrical fires, increase people and assets protection. Implement the thermal monitoring of your electrical panel by connecting thermal and heat sensors to your Panel Server.

### Power availability

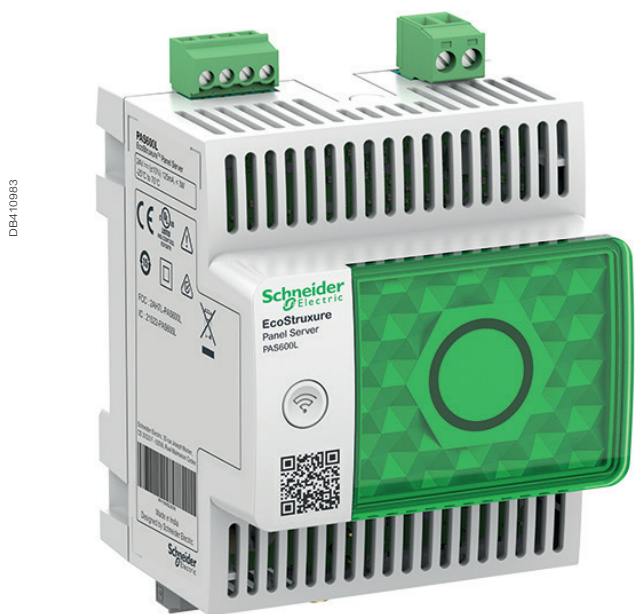
Electrical distribution monitoring and power event analysis help avoid unplanned downtime caused by electrical failure. Panel server collects real-time data and alarms, presenting information through embedded webpages, making it available to edge control software or advisor for electrical system diagnostics. Use embedded webpages for first-level monitoring or monitor from your edge control.

### Optimize energy efficiency

Improve your facility’s energy efficiency and reduce energy consumption with energy usage analysis and performance tracking. Panel Server collects and shares energy data to help achieve your energy conservation initiatives. It is certified as part of an energy data management system according to ISO 50001, 50002, 50006.

### Cybersecurity

Guarding your electrical assets and systems against cyber attacks is vital. Panel server is an IEC 62443 compliant device and is central to the IEC 62443-3-3 SL1 certified EcoStruxure™ Power system. Use Cybersecurity Admin Expert to manage user accounts, define your cybersecurity policy and retrieve security logs.



EcoStruxure™ Panel Server gives you access to the information you need to protect, maximize and optimize your power system.



Help keep people and assets safer



Maximize power availability



Optimize energy efficiency



Improve cybersecurity

All-in-one gateway

- Separates your OT network from your IT network
- Wireless data concentrator
- Modbus RS-485 to Modbus TCP
- Supports multiple Ethernet connections for serving information to edge control software and cloud applications

Simple commissioning

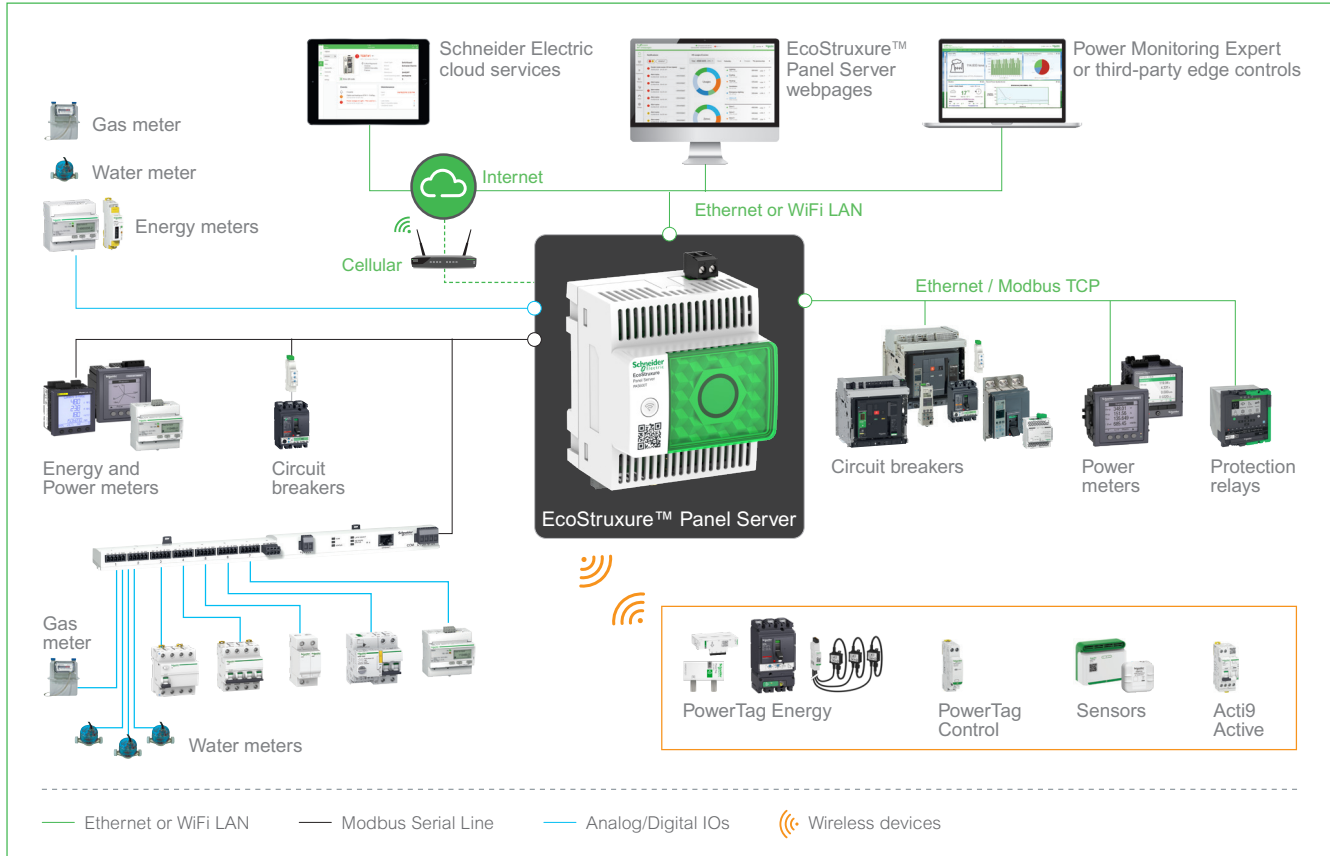
- EcoStruxure™ Power Commission software
- Device auto discovery
- Generation of acceptance reports to validate gateway configuration
- Commission via Bluetooth® or WiFi

Intuitive operation

- User-friendly webpages offer first-level monitoring
- Contextualized data and operational insights
- Simple alarm setup for email notification
- Standardized IEC 62974-1 compliant datalogger and energy server



Architecture overview



# Panel Server Entry

DB410978



Panel Server Entry - Front ISO view

### Standards & certifications

- IEC 61010-1 Ed.2010
- UL 61010-1 Ed.2012
- IEC 61974
- IEC 62443



### Functions

- Optimized gateway to retrieve data your wireless devices.
- Connect to your monitoring and control software such as EcoStruxure™ Power
- Monitoring Expert, EcoStruxure™ Power Operation or to your Building Management System.
- Connect to Schneider cloud applications such as Facility Expert or Asset Advisor.
- Ease of commissioning with EcoStruxure™ Power Commission software, enabling device plug-and-play and auto-discovery features.
- Ease of operation with user friendly embedded webpages, and data contextualization for more relevant analytics.

### Main features

- Power Supply 110...277 V AC/DC
- Designed to match with electrical switchboard environment (temperature, humidity electromagnetic compatibility)
- One Ethernet 10Base-T/100Base-T port
- Wi-Fi
- Bluetooth communication for commissioning
- IEEE 802.15.4 wireless communication
- Modbus TCP/IP server
- Support of HTTPS, NTP, SNTP, DHCP client with proxy management
- Wireless devices concentrator to Modbus/TCP
- Designed through a Secured Development Life Cycle in accordance to IEC 62443-4-1
- Commissioning through EcoStruxure™ Power Commission or through Embedded Web-Pages
- Speed-up commissioning through device list import and configuration export to the monitoring software
- Fully integrated in Cybersecurity Admin Expert tool to facilitate the management of cybersecurity in your electrical network's (User Management with Role Base Access and other security features such as enabling/disabling communication means).
- Embedded web server for real-time measurement visualization, power consumption by usage
- Customizable alarm with alarm log
- Alarms can be viewed in the web-pages and notified by e-mail

Comm. Reference	Description
PAS400	Panel Server Entry 110...277 V AC/DC

# Panel Server Entry

## Panel Server Entry technical specification

Technical data		EcoStruxure™ Panel Server Entry
Commercial Reference		PAS400
Power Supply		
Voltage	110-277 V AC/DC	
Tolerance	± 10%	
Frequency	45-65 Hz	
Maximum consumption	3 W, 10 VA	
Ethernet & Wi-Fi		
Ethernet 10/100base T	Number of Ports	Single RJ45 Port
	PoE 802.3af & 802.3at Class 0	N.A.
Wi-Fi	Supported Frequency	2.4 & 5 GHz
TCP/IP	Yes	
IP V4 / IP V6	Yes	
DPWS	Yes	
DHCP	Client	Yes
	Server (Separate Network)	No
Modbus/TCP Server	Max. number of client connection	64 <sup>(+2)</sup>
Modbus/TCP Client	Max. number of TCP/Modbus devices	N.A.
Schneider Cloud Services		Yes
HTTPS		Yes
External Wi-Fi/Bluetooth Antenna		N.A.
Wireless Devices (IEEE 802.15.4)		
Number of devices	Total	20 devices
	PowerTag Energy & Ambient <sup>(+1)</sup>	20 devices
	Other type of devices <sup>(+1)</sup>	20 devices
External IEEE 802.15.4 Antenna		No
Serial Ports		
Modbus RS-485 Master	Max. number of devices w/o repeater	N.A.
	Max. number of devices with repeater	N.A.
	Maximum Length	N.A.
	Baudrate	N.A.
Functionality		
Data Buffering for cloud applications		1 month
Data Logger and Web-Server	Data Logging	No
	Event logging	Yes <sup>(+2)</sup>
	Simple Monitoring Web-Pages	Yes
	Monitoring Web-Pages with historical data	No
Time Management	RTC (with battery)	Yes
	TimeUpdate (NTP & SNTP)	Yes
Digital inputs		
Two DI	WAGES & Dry-Contact	No
Environmental		
Protection Degree	Front Face	IP40
	Others	IP20
OverVoltage Category		OVC III
Pollution Degree		2
Temperature	Operation	-25 °C to +60 °C
	Storage	-40 °C to +85 °C
Altitude Max.		2000 m
Relative Humidity		≤ 93%
Mechanical		
Form factor		Acti9
Installation		Din Rail
Width		54 mm
Weight		TBC
Standard & Certification		
Certifications		CE, CULus, RCM, UKCA, FCC, IC
Standards		IEC 61010-2, UL 61010-2, CSA C22.2, IEC 62974-1, IEC 62443-4-1, IEC 61326-1, EN 301-489, EN 55032, CISPR 11, EN 300-328, IEEE 802.15.4, IEEE 802.11 a/b/g/n

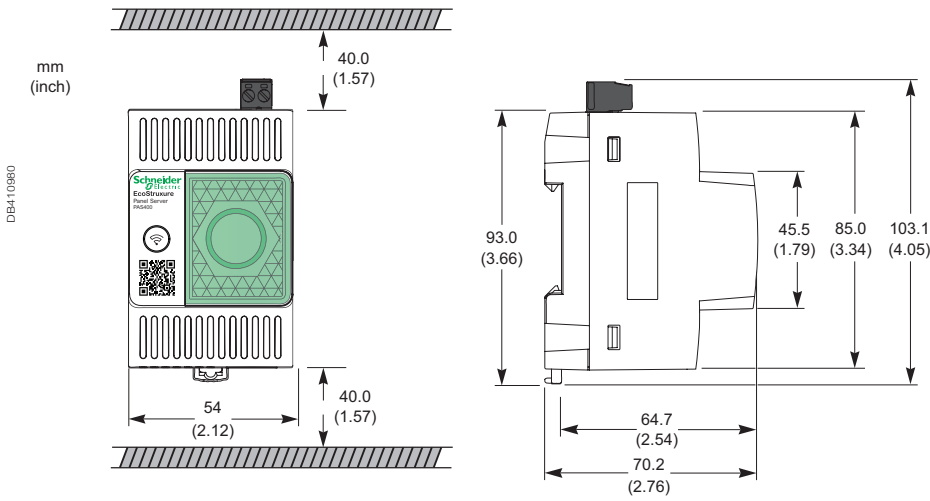
<sup>(+1)</sup> Consult the User Manual or other documentations to check the limit applicable to your wireless device.

<sup>(+2)</sup> Lower limits may apply depending the firmware version, consult the User Manual, Release Notes or other documentations.

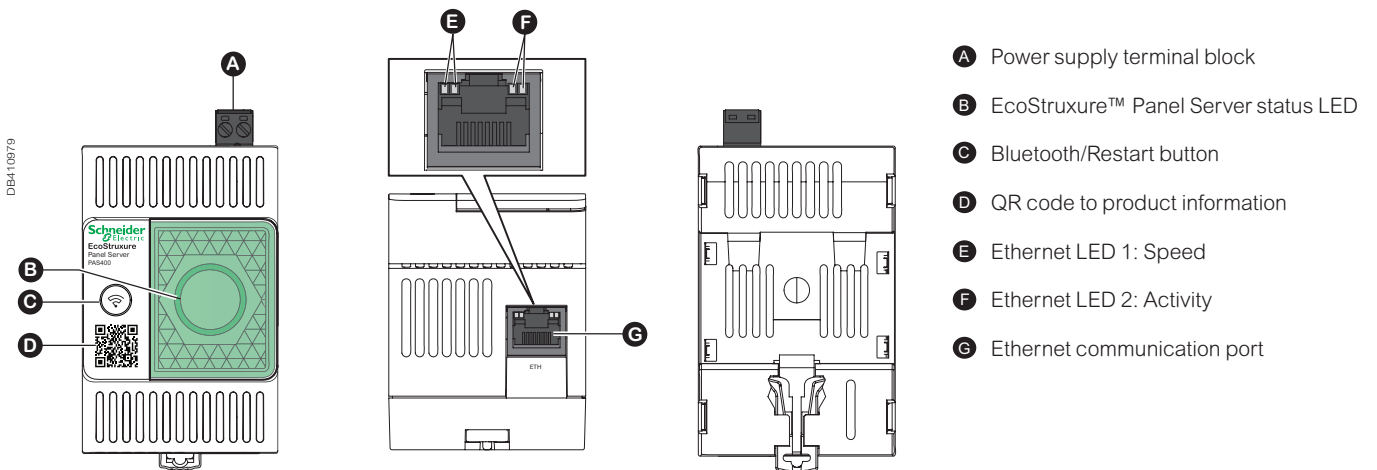


# Panel Server Entry

## Panel Server Entry dimensions

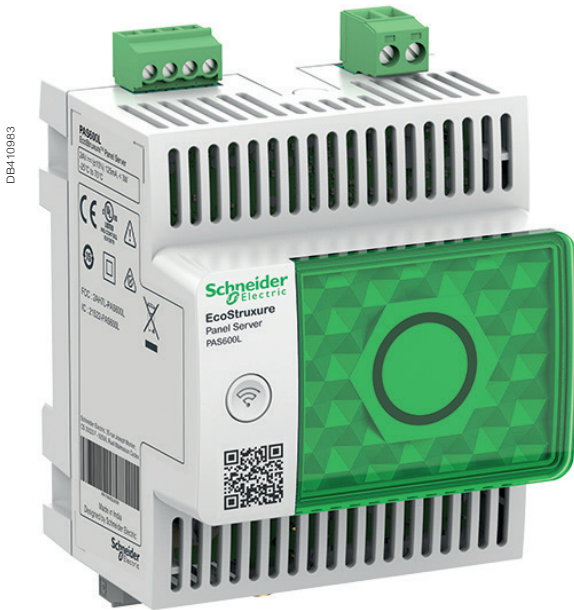


## Panel Server Entry physical descriptions



Please see the appropriate **Installation Guide** for accurate and complete information on the installation of this product.

# Panel Server Universal



Panel Server Universal - Front ISO view

### Standards & certifications

- IEC 61010-1 Ed.2010
- UL 61010-1 Ed.2012
- IEC 61974
- IEC 62443



### Functions

- An all-in-one gateway to retrieve data from both your IEEE 802.15.4 and Modbus devices.
- Connect to your monitoring and control software such as EcoStruxure™ Power Monitoring Expert, EcoStruxure™ Power Operation or to your Building Management System.
- Connect to Schneider cloud applications such as Facility Expert or Asset Advisor.
- Ease of commissioning with EcoStruxure™ Power Commission software, enabling device plug-and-play and auto-discovery features.
- Ease of operation with user friendly embedded webpages, and data contextualization for more relevant analytics.

### Main features

- Power Supply 24 V DC, 110...240 V AC/DC, 110...277 V AC/DC
- Designed to match demanding electrical switchboard environment (temperature, humidity electromagnetic compatibility)
- Two Ethernet 10Base-T/100Base-T port (supporting switched or separated network topology)
- Wi-Fi
- Bluetooth communication for commissioning
- Modbus RS-485 serial communication
- IEEE 802.15.4 wireless communication
- Modbus TCP/IP server and client
- Support of HTTPS, NTP, SNTP, DHCP client and server with proxy management
- Modbus RS-485 to Modbus/TCP Gateway
- Wireless devices concentrator to Modbus/TCP
- Two digital inputs (24VDC version only) for contact information or WAGES pulse meter
- Designed through a Secured Development Life Cycle in accordance to IEC 62443-4-1
- Commissioning through EcoStruxure™ Power Commission or through Embedded Web-Pages
- Speed-up commissioning through device list import and configuration export to the monitoring software
- Fully integrated in Cybersecurity Admin Expert tool to facilitate the management of cybersecurity in your electrical network's (User Management with Role Base Access and other security features such as enabling/disabling communication means)
- Embedded web server for real-time measurement visualization, power consumption by usage
- Customizable alarm with alarm log
- Alarms can be viewed in the web-pages and notified by e-mail

### Compatible accessories

- Wi-Fi/Bluetooth external antenna (PASA-ANT1)

Comm. Reference	Description
PAS600L	Panel Server Universal with 24 V DC power supply
PAS600T	Panel Server Universal with 100-240 V AC/DC power supply
PAS600	Panel Server Universal with 100-277 V AC/DC power supply

# Panel Server Universal

## Panel Server Universal technical specification

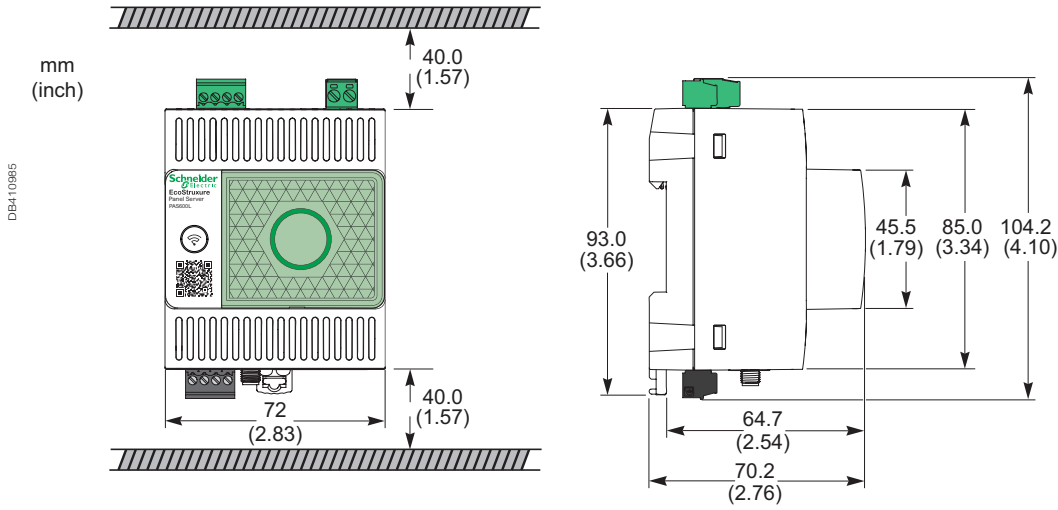
Technical data		EcoStruxure™ Panel Server Universal		
Commercial Reference		PAS600L	PAS600T	PAS600
<b>Power Supply</b>				
Voltage		24 V DC	110-240 V AC/DC	110-277 V AC/DC
Tolerance			± 10%	
Frequency		N.A.	47-63 Hz	45-65 Hz
Maximum consumption		3 W	3 W / 10 VA	
<b>Ethernet &amp; Wi-Fi</b>				
Ethernet 10/100base T	Number of Ports	Two RJ45 ports		
	PoE 802.3af & 802.3at Class 0	No		
Wi-Fi	Supported Frequency	2.4 GHz		
TCP/IP		Yes		
IP V4 / IP V6		Yes		
DPWS		Yes		
DHCP	Client	Yes		
	Server (Separate Network)	Yes		
Modbus/TCP Server	Max. number of client connection	64 <sup>(+2)</sup>		
Modbus/TCP Client	Max. number of TCP/Modbus devices	64 <sup>(+2)</sup>		
Schneider Cloud Services		Yes		
HTTPS		Yes		
External Wi-Fi/Bluetooth Antenna		PASA-ANT1		
<b>Wireless Devices (IEEE 802.15.4)</b>				
Number of devices	Total	100 devices <sup>(+2)</sup>		
	PowerTag Energy & Ambient <sup>(+1)</sup>	100 devices <sup>(+2)</sup>		
	Other type of devices <sup>(+1)</sup>	20 devices <sup>(+2)</sup>		
External IEEE 802.15.4 Antenna		Yes (2022)		
<b>Serial Ports</b>				
Modbus RS-485 Master	Max. number of devices w/o repeater	32 devices		
	Max. number of devices with repeater	128 devices		
	Maximum Length	1000 m		
	Baudrate	1200, 4800, 9600, 19200, 38400, 57600, 115200		
<b>Functionality</b>				
Data Buffering for cloud applications		1 month		
Data Logger and Web-Server	Data Logging	No		
	Event logging	Yes <sup>(+2)</sup>		
	Simple Monitoring Web-Pages	Yes		
	Monitoring Web-Pages with historical data	No		
Time Management	RTC (with battery)	Yes		
	TimeUpdate (NTP & SNTP)	Yes		
<b>Digital inputs</b>				
Two DI	WAGES & Dry-Contact	Yes	No	
<b>Environmental</b>				
Protection Degree	Front Face	IP40		
	Others	IP20		
OverVoltage Category		NA	OVC III	
Pollution Degree		3	2	
Temperature	Operation	-25°C to +70°C		
	Storage	-40°C to +85°C		
Altitude Max.		2000 m		
Relative Humidity		≤ 93%		
<b>Mechanical</b>				
Form factor		Acti9		
Installation		Din Rail		
Width		72 mm		
Weight		TBC		
<b>Standard &amp; Certification</b>				
Certifications		CE, CULus, RCM, UKCA, FCC, IC		
Standards		IEC 61010-2, UL 61010-2, CSA C22.2, IEC 62974-1, IEC 62443-4-1, IEC 61326-1, EN 301-489, EN 55032, CISPR 11, EN 300-328, IEEE 802.15.4, IEEE 802.11 a/b/g/n		

<sup>(+1)</sup> Consult the User Manual or other documentations to check the limit applicable to your wireless device.

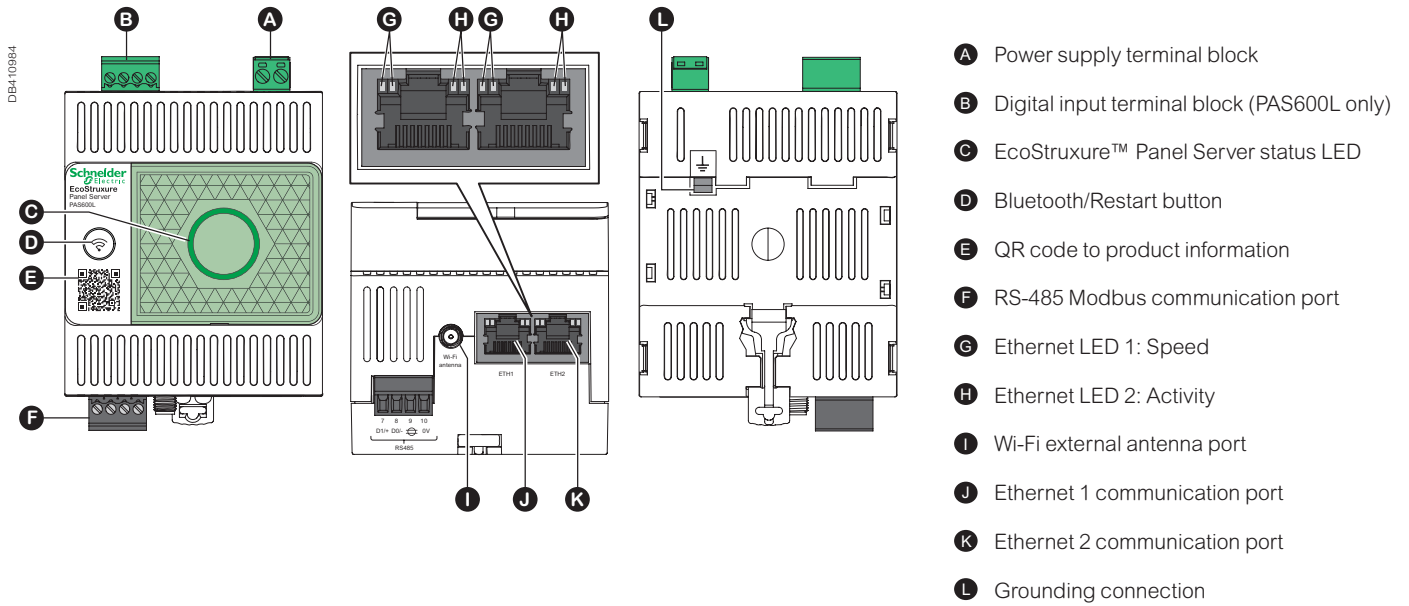
<sup>(+2)</sup> Lower limits may apply depending the firmware version, consult the User Manual, Release Notes or other documentations.

# Panel Server Universal

## Panel Server Universal dimensions

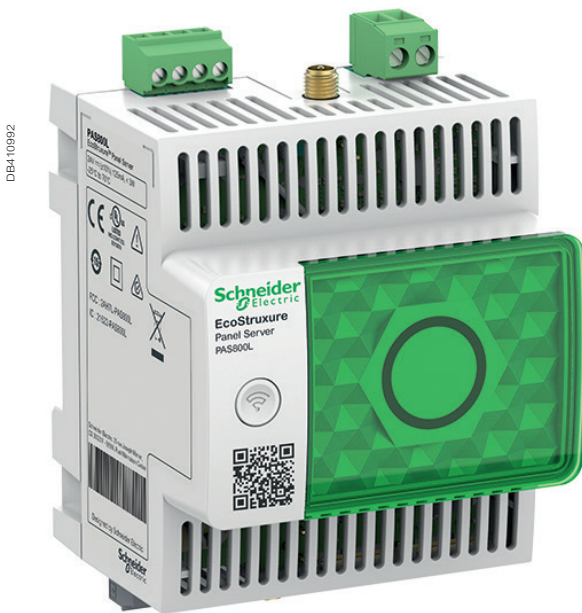


## Panel Server Universal physical descriptions



Please see the appropriate **Installation Guide** for accurate and complete information on the installation of this product.

# Panel Server Advanced



Panel Server Advanced- Front ISO view

### Standards & certifications

- IEC 61010-1 Ed.2010
- UL 61010-1 Ed.2012
- IEC 61974
- IEC 62443



### Functions

- An all-in-one gateway to retrieve data from both your wireless IEEE 802.15.4 devices and Modbus devices.
- Connect to your monitoring and control software such as EcoStruxure™ Power Monitoring Expert, EcoStruxure™ Power Operation or to your Building Management System.
- Connect to Schneider cloud applications such as Facility Expert or Asset Advisor.
- Ease of commissioning with EcoStruxure™ Power Commission software, enabling device plug-and-play and auto-discovery features.
- Ease of operation with user friendly embedded webpages, and data contextualization for more relevant analytics.

### Main features

- Power Supply 24 V DC, 110...277 V AC/DC, PoE-PD (CLASS 0, IEC 60950.3af/at)
- Designed to match demanding electrical switchboard environment (temperature, humidity electromagnetic compatibility)
- Two Ethernet 10Base-T/100Base-T port (supporting switched or separated network topology)
- Wi-Fi
- Bluetooth communication for commissioning
- Modbus RS-485 serial communication
- IEEE 802.15.4 wireless communication
- Modbus TCP/IP server and client
- Support of HTTPS, NTP, SNTP, DHCP client and server with proxy management
- Modbus RS-485 to Modbus/TCP Gateway
- Wireless devices concentrator to Modbus/TCP
- Two digital inputs (24 V DC version only) for contact information or WAGES pulse meter
- Designed through a Secured Development Life Cycle in accordance to IEC 62443-4-1
- Commissioning through EcoStruxure™ Power Commission or through Embedded Web-Pages
- Speed-up commissioning through device list import and configuration export to the monitoring software
- Fully integrated in Cybersecurity Admin Expert tool for security settings (Role Base Access and other security features such as enabling/disabling communication means)
- Embedded web server for real-time measurement and alarm visualization, energy & power consumption by usage and location, 3 years historical trending and dashboarding
- 3 years Data Logger with 32 GB memory
- Customizable alarm with alarm log
- Alarms can be viewed in the web-pages and notified by e-mail

### Compatible accessories

- Wi-Fi/Bluetooth external antenna (PASA-ANT1)
- IEEE 802.15.4 external antenna (PASA-ANT1)

Comm. Reference	Description
PAS800L	Panel Server Advanced with 24 V DC power supply
PAS800P	Panel Server Advanced with PoE power supply
PAS800	Panel Server Advanced with 100-277 V AC/DC power supply

# Panel Server Advanced

## Panel Server Advanced technical specification

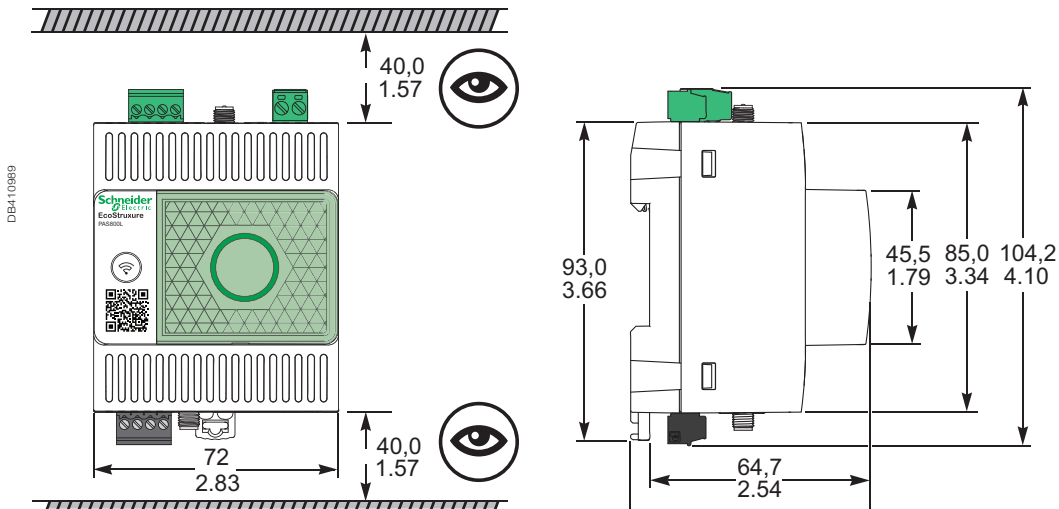
Technical data		EcoStruxure™ Panel Server Advanced		
Commercial Reference		PAS800L	PAS800P	PAS800
<b>Power Supply</b>				
Voltage		24 V DC	PoE	110-277 V AC/DC
Tolerance		± 10 %		± 10 %
Frequency		N.A.		45-65 Hz
Maximum consumption		3 W	3.5 W	3 W / 10 VA
<b>Ethernet &amp; Wi-Fi</b>				
Ethernet 10/100base T	Number of Ports	Two RJ45 ports		
	PoE 802.3af & 802.3at Class 0	No	1 port (PD)	No
Wi-Fi	Supported Frequency	2.4 & 5 GHz		
TCP/IP		Yes		
IP V4 / IP V6		Yes		
DPWS		Yes		
DHCP	Client	Yes		
	Server (Separate Network)	Yes		
Modbus/TCP Server	Max. number of client connection	64 <sup>(+2)</sup>		
Modbus/TCP Client	Max. number of TCP/Modbus devices	64 <sup>(+2)</sup>		
Schneider Cloud Services		Yes		
HTTPS		Yes		
External Wi-Fi/Bluetooth Antenna		PASA-ANT1		
<b>Wireless Devices (IEEE 802.15.4)</b>				
Number of devices	Total	100 devices <sup>(+2)</sup>		
	PowerTag Energy & Ambient <sup>(+1)</sup>	100 devices <sup>(+2)</sup>		
	Other type of devices <sup>(+1)</sup>	20 devices <sup>(+2)</sup>		
External IEEE 802.15.4 Antenna		PASA-ANT1		
<b>Serial Ports</b>				
Modbus RS-485 Master	Max. number of devices w/o repeater	32 devices		
	Max. number of devices with repeater	128 devices		
	Maximum Length	1000 m		
	Baudrate	1200, 4800, 9600, 19200, 38400, 57600, 115200		
<b>Functionality</b>				
Data Buffering for cloud applications		1 month		
Data Logger and Web-Server	Data Logging	3 years		
	Event logging	Yes <sup>(+2)</sup>		
	Simple Monitoring Web-Pages	Yes		
	Monitoring Web-Pages with historical data	Yes		
Time Management	RTC (with battery)	Yes		
	TimeUpdate (NTP & SNTP)	Yes		
<b>Digital inputs</b>				
Two DI	WAGES & Dry-Contact	Yes	No	
<b>Environmental</b>				
Protection Degree	Front Face	IP40		
	Others	IP20		
OverVoltage Category		NA	OVC III	
Pollution Degree		3	2	
Temperature	Operation	-25°C to +70°C		
	Storage	-40°C to +85°C		
Altitude Max.		2000 m		
Relative Humidity		≤ 93%		
<b>Mechanical</b>				
Form factor		Acti9		
Installation		Din Rail		
Width		72 mm		
Weight		TBC		
<b>Standard &amp; Certification</b>				
Certifications		CE, CULus, RCM, UKCA, FCC, IC		
Standards		IEC 61010-2, UL 61010-2, CSA C22.2, IEC 62974-1, IEC 62443-4-1, IEC 61326-1, EN 301-489, EN 55032, CISPR 11, EN 300-328, IEEE 802.15.4, IEEE 802.11 a/b/g/n		
		IEEE 802.3 af/at		

<sup>(+1)</sup> Consult the User Manual or other documentations to check the limit applicable to your wireless device.

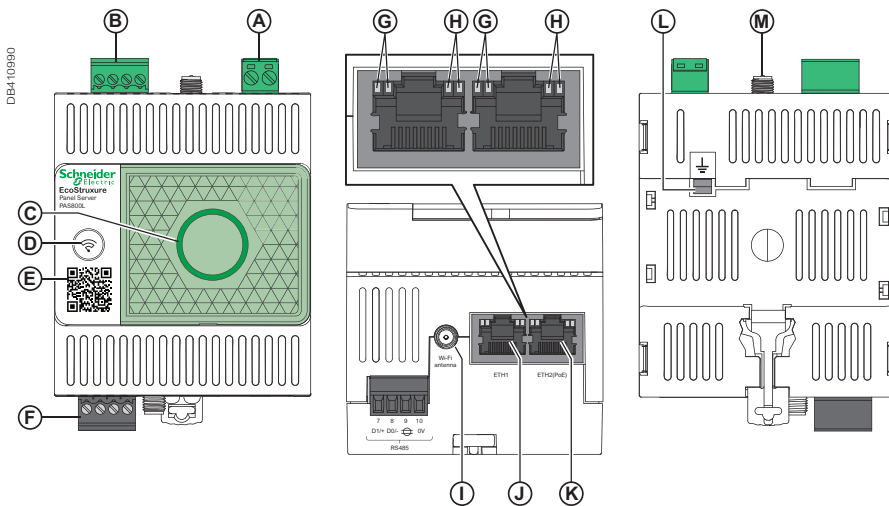
<sup>(+2)</sup> Lower limits may apply depending the firmware version, consult the User Manual, Release Notes or other documentations.

# Panel Server Advanced

## Panel Server Advanced dimensions



## Panel Server Advanced physical descriptions



- A** Power supply terminal block (PAS800 & PAS800L only)
- B** Digital input terminal block (PAS800L only)
- C** EcoStruxure™ Panel Server status LED
- D** Bluetooth/Restart button
- E** QR code to product information
- F** RS-485 Modbus communication port
- G** Ethernet LED 1: Speed
- H** Ethernet LED 2: Activity
- I** Wi-Fi external antenna port
- J** Ethernet 1 communication port
- K** Ethernet 2 communication port (PAS800 & PAS800L only) / Ethernet 2 communication port - PoE (PAS800P only)
- L** Grounding connection
- M** IEE802.15.4 external antenna port

Please see the appropriate **Installation Guide** for accurate and complete information on the installation of this product.

# Commercial Reference Numbers

Commercial reference number	Description	Page	Commercial reference number	Description	Page
	<b>Current Transformers</b>	<b>8</b>			
	<b>CT Ip/5 A ratio</b>	<b>9</b>			
16550	44 x 66 x 37 Adapter for DIN rails Mounting plate		METSECT5DB300	CT tropicalised 3000 5 dual out. bars 38x127	
16551	56 x 84 x 60 Adapter for DIN rails Mounting plate, insulated locking screw		METSECT5DC200	CT tropicalised 2000 5 dual out. bars 52x127	
METSECT5CC004	CC 40 A		METSECT5DC250	CT tropicalised 2500 5 dual out. bars 52x127	
METSECT5CC005	CC 50 A		METSECT5DC300	CT tropicalised 3000 5 dual out. bars 52x127	
METSECT5CC006	CC 60 A		METSECT5DC400	CT tropicalised 4000 5 dual out. bars 52x127	
METSECT5CC008	CC 75 A		METSECT5DD100	CT tropicalised 1000 5 dual out. bars 34x84	
METSECT5CC010	CC 100 A		METSECT5DD125	CT tropicalised 1250 5 dual out. bars 34x84	
METSECT5CC013	CC 125 A		METSECT5DD150	CT tropicalised 1500 5 dual out. bars 34x84	
METSECT5CC015	CC 150 A		METSECT5DE100	CT tropicalised 1000 5 dual out. bars 54x102	
METSECT5CC020	CC 200 A		METSECT5DE125	CT tropicalised 1250 5 dual out. bars 54x102	
METSECT5CC025	CC 250 A		METSECT5DE150	CT tropicalised 1500 5 dual out. bars 54x102	
METSECT5MB025	MB 250 A		METSECT5DE200	CT tropicalised 2000 5 dual out. bars 54x102	
METSECT5MB030	MB 300 A		METSECT5DH125	CT tropicalised 1250 5 dual out. bars 38x102	
METSECT5MB040	MB 400 A		METSECT5DH150	CT tropicalised 1500 5 dual out. bars 38x102	
METSECT5MA015	MA 150 A		METSECT5DH200	CT tropicalised 2000 5 dual out. bars 38x102	
METSECT5MA020	MA 200 A			<b>Split core CTs</b>	<b>19</b>
METSECT5MA025	MA 250 A			<b>Busbar Type H</b>	
METSECT5MA030	MA 300 A			<b>Frame 1</b>	
METSECT5MA040	MA 400 A		METSECT5HA015	IEC Split Core CT Cable 150/5 A 1 VA cl.1	
METSECT5MC025	MC 250 A		METSECT5HA020	IEC Split Core CT Cable 200/5 A 1.5 VA cl.1	
METSECT5MC030	MC 300 A		METSECT5HA025	IEC Split Core CT Cable 250/5 A 1 VA cl.0.5	
METSECT5MC040	MC 400 A			<b>Frame 2</b>	
METSECT5MC050	MC 500 A		METSECT5HD025	IEC Split Core CT Cable 250/5 A 1 VA cl.1	
METSECT5MC060	MC 600 A		METSECT5HD030	IEC Split Core CT Cable 300/5 A 1.5 VA cl.1	
METSECT5MC080	MC 800 A		METSECT5HD040	IEC Split Core CT Cable 400/5 A 2.5 VA cl.1	
METSECT5MD050	MD 500 A		METSECT5HD050	IEC Split Core CT Cable 500/5 A 1VA cl.0.5	
METSECT5MD060	MD 600 A			<b>Frame 3</b>	
METSECT5MD080	MD 800 A		METSECT5HG010	IEC Split Core CT Cable 100/5 A 1.5 VA cl.3	
METSECT5CYL1	Cylinder 8.5 mm dia.		METSECT5HG013	IEC Split Core CT Cable 125/5 A 2.5 VA cl.3	
METSECT5CYL2	Cylinder 10.5 mm dia.		METSECT5HG015	IEC Split Core CT Cable 150/5 A 3 VA cl.3	
METSECT5COVER	sealable cover 60.5 x 22 x 23.5 mm for CT TI		METSECT5HG020	IEC Split Core CT Cable 200/5 A 3 VA cl.3	
METSECT5VV500	CT tropicalised 5000 5 bars 55x165		METSECT5HG025	IEC Split Core CT Cable 250/5 A 3 VA cl.3	
METSECT5VV600	CT tropicalised 6000 5 bars 55x165		METSECT5HG030	IEC Split Core CT Cable 300/5 A 2.5 VA cl.1	
METSECT5DA040	CT tropicalised 400 5 dual out. bars 32x65		METSECT5HG040	IEC Split Core CT Cable 400/5 A 5 VA cl.1	
METSECT5DA050	CT tropicalised 500 5 dual out. bars 32x65		METSECT5HG050	IEC Split Core CT Cable 500/5 A 5 VA cl.1	
METSECT5DA060	CT tropicalised 600 5 dual out. bars 32x65		METSECT5HG060	IEC Split Core CT Cable 600/5 A 5 VA cl.1	
METSECT5DA080	CT tropicalised 800 5 dual out. bars 32x65			<b>Frame 4</b>	
METSECT5DA100	CT tropicalised 1000 5 dual out. bars 32x65		METSECT5HJ030	IEC Split Core CT Cable 300/5 A 2.5 VA cl.1	
METSECT5DA125	CT tropicalised 1250 5 dual out. bars 32x65		METSECT5HJ040	IEC Split Core CT Cable 400/5 A 5VA cl.1	
METSECT5DA150	CT tropicalised 1500 5 dual out. bars 32x65		METSECT5HJ050	IEC Split Core CT Cable 500/5 A 5VA cl.1	
METSECT5DB100	CT tropicalised 1000 5 dual out. bars 38x127		METSECT5HJ060	IEC Split Core CT Cable 600/5 A 2.5 VA cl.0.5	
METSECT5DB125	CT tropicalised 1250 5 dual out. bars 38x127		METSECT5HJ075	IEC Split Core CT Cable 750/5 A 2.5 VA cl.0.5	
METSECT5DB150	CT tropicalised 1500 5 dual out. bars 38x127		METSECT5HJ080	IEC Split Core CT Cable 800/5 A 2.5 VA cl.0.5	
METSECT5DB200	CT tropicalised 2000 5 dual out. bars 38x127				
METSECT5DB250	CT tropicalised 2500 5 dual out. bars 38x127				



# PowerLogic™ Commercial Reference Numbers

Commercial reference number	Description	Page	Commercial reference number	Description	Page
<b>Frame 5</b>			<b>Rogowski CTs</b> <b>24</b>		
METSECT5HM030	IEC Split Core CT Cable 300/5 A 2.5 VA cl.1		METSECTR25500	Rogowski CT, 250 mm core length, 80 mm dia.	
METSECT5HM040	IEC Split Core CT Cable 400/5 A 5 VA cl.1		METSECTR30500	Rogowski CT, 300 mm core length, 96 mm dia.	
METSECT5HM050	IEC Split Core CT Cable 500/5 A 5 VA cl.1		METSECTR46500	Rogowski CT, 400 mm core length, 146 mm dia.	
METSECT5HM060	IEC Split Core CT Cable 600/5 A 2.5 VA cl.0.5		METSECTR60500	Rogowski CT, 600 mm core length, 191 mm dia.	
METSECT5HM075	IEC Split Core CT Cable 750/5 A 2.5 VA cl.0.5		METSECTR90500	Rogowski CT, 900 mm core length, 287 mm dia.	
METSECT5HM080	IEC Split Core CT Cable 800/5 A 2.5 VA cl.0.5		<b>Panel Instruments</b> <b>25</b>		
<b>Frame 6</b>			<b>DIN rail analog ammeters, voltmeters</b> <b>26</b>		
METSECT5HP025	IEC Split Core CT Cable 250/5 A 1.5 VA cl.1		16029	0-30 A no 8	
METSECT5HP030	IEC Split Core CT Cable 300/5 A 2.5 VA cl.1		16030	X/5 8	
METSECT5HP040	IEC Split Core CT Cable 400/5 A 5 VA cl.1		16031	0-5 A	
METSECT5HP050	IEC Split Core CT Cable 500/5 A 5 VA cl.1		16032	0-50 A 50/5	
METSECT5HP060	IEC Split Core CT Cable 600/5 A 5 VA cl.1		16033	0-75 A 75/5	
METSECT5HP075	IEC Split Core CT Cable 750/5 A 5 VA cl.1		16034	0-100 A 100/5	
METSECT5HP080	IEC Split Core CT Cable 800/5 A 5 VA cl.1		16035	0-150 A 150/5	
METSECT5HP100	IEC Split Core CT Cable 1000/5 A 5 VA cl.1		16036	0-200 A 200/5	
<b>Busbar Type G</b>			16037	0-250 A 250/5	
<b>Frame 7</b>			16038	0-300 A 300/5	
METSECT5GA010	IEC CT Split Core Busbar 100/5 A 1.25 VA cl.3		16039	0-400 A 400/5	
METSECT5GA015	IEC CT Split Core Busbar 150/5 A 1.5 VA cl.3		16040	0-500 A 500/5	
METSECT5GA020	IEC CT Split Core Busbar 200/5 A 2.5 VA cl.3		16041	0-600 A 600/5	
METSECT5GA025	IEC CT Split Core Busbar 250/5 A 1.5 VA cl.1		16042	0-800 A 800/5	
METSECT5GA030	IEC CT Split Core Busbar 300/5 A 3.75 VA cl.1		16043	0-1000 A 1000/5	
METSECT5GA040	IEC CT Split Core Busbar 400/5 A 1 VA cl.0.5		16044	0-1500 A 1500/5	
<b>Frame 8</b>			16045	0-2000 A 2000/5	
METSECT5GD025	IEC CT Split Core Busbar 250/5 A 1.5 VA cl.1		16060	0-300 V 8	
METSECT5GD030	IEC CT Split Core Busbar 300/5 A 2.5 VA cl.1		16061	0-500 V 8	
METSECT5GD040	IEC CT Split Core Busbar 400/5 A 1 VA cl.0.5		<b>DIN rail digital ammeters, voltmeter, frequency meter</b> <b>27</b>		
METSECT5GD050	IEC CT Split Core Busbar 500/5 A 2.5 VA cl.0.5		15202	Direct reading iAMP 0-10 A No 4	
METSECT5GD060	IEC CT Split Core Busbar 600/5 A 2.5 VA cl.0.5		15209	Multi-rating iAMP 0-5000 A As per rating 4	
METSECT5GD075	IEC CT Split Core Busbar 750/5 A 2.5 VA cl.0.5		15201	iVLT 0-600 V 4	
METSECT5GD080	IEC CT Split Core Busbar 800/5 A 2.5 VA cl.0.5		15208	iFRE 20-100 Hz 4	
METSECT5GD100	IEC CT Split Core Busbar 1000/5 A 5 VA cl.0.5		<b>72x72 analog ammeter, voltmeter</b> <b>28</b>		
<b>Frame 9</b>			16003	AMP for motor feeder	
METSECT5GG025	IEC CT Split Core Busbar 250/5 A 1.5 VA cl.1		16004	AMP for standard feeder X/5	
METSECT5GG030	IEC CT Split Core Busbar 300/5 A 2.5 VA cl.1		16009	AMP for standard feeder 0-50 A 50/5	
METSECT5GG040	IEC CT Split Core Busbar 400/5 A 2.5 VA cl.1		16010	AMP for standard feeder 0-100 A 100/5	
METSECT5GG050	IEC CT Split Core Busbar 500/5 A 2.5 VA cl.0.5		16011	AMP for standard feeder 0-200 A 200/5	
METSECT5GG060	IEC CT Split Core Busbar 600/5 A 2.5 VA cl.0.5		16012	AMP for standard feeder 0-400 A 400/5	
METSECT5GG075	IEC CT Split Core Busbar 750/5 A 2.5 VA cl.0.5		16013	AMP for standard feeder 0-600 A 600/5	
METSECT5GG080	IEC CT Split Core Busbar 800/5 A 2.5 VA cl.0.5		16014	AMP for standard feeder 0-1000 A 1000/5	
METSECT5GG100	IEC CT Split Core Busbar 1000/5 A 5 VA cl.0.5		16015	AMP for standard feeder 0-1250 A 1250/5	
METSECT5GG120	IEC CT Split Core Busbar 1200/5 A 5 VA cl.0.5		16016	AMP for standard feeder 0-1500 A 1500/5	
METSECT5GG125	IEC CT Split Core Busbar 1250/5 A 7.5 VA cl.0.5		16019	AMP for standard feeder 0-2000 A 2000/5	
METSECT5GG150	IEC CT Split Core Busbar 1500/5 A 7.5 VA cl.0.5		16006	AMP for motor feeder 0-30-90 A 30/5	
<b>Frame 10</b>			16007	AMP for motor feeder 0-75-225 A 75/5	
METSECT5GJ100	IEC CT Split Core Busbar 1000/5 A 10 VA cl.0.5		16008	AMP for motor feeder 0-200-600 A 200/5	
METSECT5GJ120	IEC CT Split Core Busbar 1200/5 A 10 VA cl.0.5		16005	VLT 0-500 V	
METSECT5GJ150	IEC CT Split Core Busbar 1500/5 A 10 VA cl.0.5		<b>96x96 analog ammeter, voltmeter</b> <b>29</b>		
METSECT5GJ160	IEC CT Split Core Busbar 1600/5 A 10 VA cl.0.5		16074	AMP for standard feeder X/5	
METSECT5GJ200	IEC CT Split Core Busbar 2000/5 A 10 VA cl.0.5		16079	AMP for standard feeder 0-50 A 50/5	
METSECT5GJ250	IEC CT Split Core Busbar 2500/5 A 10 VA cl.0.5		16080	AMP for standard feeder 0-100 A 100/5	
METSECT5GJ300	IEC CT Split Core Busbar 3000/5 A 15 VA cl.0.5		16081	AMP for standard feeder 0-200 A 200/5	
METSECT5GJ400	IEC CT Split Core Busbar 4000/5 A 15 VA cl.0.5		16082	AMP for standard feeder 0-400 A 400/5	
			16083	AMP for standard feeder 0-600 A 600/5	
			16084	AMP for standard feeder 0-1000 A 1000/5	
			16085	AMP for standard feeder 0-1250 A 1250/5	
			16086	AMP for standard feeder 0-1500 A 1500/5	
			16087	AMP for standard feeder 0-2000 A 2000/5	
			16088	AMP for standard feeder 0-2500 A 2500/5	
			16089	AMP for standard feeder 0-3000 A 3000/5	

# PowerLogic™ Commercial Reference Numbers

Commercial reference number	Description	Page	Commercial reference number	Description	Page
16090	AMP for standard feeder 0-4000 A 4000/5		A9MEM3250	iEM3250 energy meter & electrical parameter plus Modbus RS-485 comm port	
16091	AMP for standard feeder 0-5000 A 5000/5		A9MEM3255	iEM3255 advanced multi-tariff energy meter & electrical parameter plus Modbus RS485 comm port	
16092	AMP for standard feeder 0-6000 A 6000/5		A9MEM3265	iEM3265 advanced multi-tariff energy meter & electrical parameter plus BACnet MS/TP comm port	
16073	AMP for motor feeder X/5		A9MEM3275	iEM3275 advanced multi-tariff energy meter & electrical parameter plus LON TP/FT-10 comm port	
16076	AMP for motor feeder 0-30-90 A 30/5		A9MEM3300	iEM3300 basic energy meter	
16077	AMP for motor feeder 0-75-225 A 75/5		A9MEM3310	iEM3310 energy meter with pulse output	
16078	AMP for motor feeder 0-200-600 A 200/5		A9MEM3335	iEM3335 advanced multi-tariff energy meter & electrical parameter plus M-Bus comm port	
16075	VLT 0-500 V		A9MEM3350	iEM3350 energy meter & electrical parameter plus Modbus RS-485 comm port	
	<b>48x48 CMA, CMV selector switches</b>	<b>30</b>	A9MEM3355	iEM3355 advanced multi-tariff energy meter & electrical parameter plus Modbus RS485 comm port	
16017	CMA 20 4		A9MEM3365	iEM3365 advanced multi-tariff energy meter & electrical parameter plus BACnet MS/TP comm port	
16018	CMV 500 7		A9MEM3375	iEM3375 advanced multi-tariff energy meter & electrical parameter plus LON TP/FT-10 comm port	
	<b>DIN rail iCMA, iCMV selector switches</b>	<b>32</b>	A9MEM3455	iEM3455 advanced multi-tariff energy meter & electrical parameter plus Modbus RS-485 comm port	
15126	iCMA 10 415 4		A9MEM3465	iEM3465 advanced multi-tariff energy meter & electrical parameter plus BACnet MS/TP comm port	
15125	iCMV 10 415 4		A9MEM3555	iEM3555 advanced multi-tariff energy meter & electrical parameter plus Modbus RS-485 comm port	
	<b>iCH hour counter</b>	<b>32</b>	A9MEM3565	iEM3565 advanced multi-tariff energy meter & electrical parameter plus BACnet MS/TP comm port	
15440	iCH "DIN" 230 V AC ± 10 %/50 Hz 4mm			<b>LVCTs</b>	<b>46</b>
15607	CH "48 x 48" 24 V AC ± 10 %/50 Hz		LVCT00050S	CT, split-core, Size 0, 50 A to 0.333 V	
15608	CH "48 x 48" 230 V AC ± 10 %/50 Hz		LVCT00101S	CT, split-core, Size 1, 100 A to 0.333 V	
15609	CH "48 x 48" 12 to 36 V DC		LVCT00201S	CT, split-core, Size 1, 200 A to 0.333 V	
	<b>iCI impulse counter</b>	<b>33</b>	LVCT00102S	CT, split-core, Size 2, 100 A to 0.333 V	
15443	iCI 4mm impulse counter DIN		LVCT00202S	CT, split-core, Size 2, 200 A to 0.333 V	
	<b>Basic Energy Metering</b>	<b>36</b>	LVCT00302S	CT, split-core, Size 2, 300 A to 0.333 V	
	<b>iEM2xxx</b>	<b>37</b>	LVCT00403S	CT, split-core, Size 3, 400 A to 0.333 V	
A9MEM2000T	iEM2000T basic energy meter, no display		LVCT00603S	CT, split-core, Size 3, 600 A to 0.333 V	
A9MEM2000	iEM2000 basic energy meter		LVCT00803S	CT, split-core, Size 3, 800 A to 0.333 V	
A9MEM2010	iEM2010 energy meter, kWh pulse output		LVCT00804S	CT, split-core, Size 4, 800 A to 0.333 V	
A9MEM2100	iEM2100 basic energy meter		LVCT01004S	CT, split-core, Size 4, 1000 A to 0.333 V	
A9MEM2050	iEM2050 modular single phase power meter 230 V - 45 A with Modbus		LVCT01204S	CT, split-core, Size 4, 1200 A to 0.333 V	
A9MEM2055	iEM2055 modular single phase power meter 230 V - 45 A with Modbus, MID		LVCT01604S	CT, split-core, Size 4, 1600 A to 0.333 V	
A9MEM2105	iEM2105 energy meter, kWh pulse output with partial meter		LVCT02004S	CT, split-core, Size 4, 2000 A to 0.333 V	
A9MEM2110	iEM2110 energy meter, kWh and kvarh pulse outputs with two tariffs, four quadrant energy measurement, MID certified		LVCT02404S	CT, split-core, Size 4, 2400 A to 0.333 V	
A9MEM2135	iEM2135 energy meter, M-Bus communication, four quadrant energy measurement, two tariffs, MID certified			<b>PM3000</b>	<b>48</b>
A9MEM2150	iEM2150 energy meter, Modbus communication, four quadrant energy measurement		METSEPM3200	PM3200 basic power meter	
A9MEM2155	iEM2155 energy meter, Modbus communication, four quadrant energy measurement, two tariffs, MID certified		METSEPM3210	PM3210 power meter with pulse output	
A9MEM2435	iEM2435 power and energy meter, Class 1, 230 V, 100 A, M-Bus, MID, 2 tariffs, 2 pulse outputs, 4 quadrants, LCD display		METSEPM3250	PM3250 power meter with RS485 port	
A9MEM2455	iEM2455 power and energy meter, Class 1, 230 V, 100 A, RS-485, MID, 2 tariffs, 2 pulse outputs, 4 quadrants, LCD display		METSEPM3255	PM3255 power meter plus 2 digital inputs, 2 digital outputs with RS-485 port	
	<b>iEM3000</b>	<b>42</b>		<b>PowerTag Energy</b>	<b>54</b>
A9MEM3100	iEM3100 basic energy meter		A9MEM1520	PowerTag Energy M63 1P+W	
A9MEM3110	iEM3110 energy meter with pulse output		A9MEM1521	PowerTag Energy M63 1P+N Top	
A9MEM3115	iEM3115 multi-tariff energy meter		A9MEM1522	PowerTag Energy M63 1P+N Bottom	
A9MEM3135	iEM3135 advanced multi-tariff energy meter & electrical parameter plus M-Bus comm port		A9MEM1540	PowerTag Energy M63 3P	
A9MEM3150	iEM3150 energy meter & electrical parameter plus Modbus RS-485 comm port		A9MEM1541	PowerTag Energy M63 3P+N Top	
A9MEM3155	iEM3155 advanced multi-tariff energy meter & electrical parameter plus Modbus RS-485 comm port		A9MEM1542	PowerTag Energy M63 3P+N Bottom	
A9MEM3165	iEM3165 advanced multi-tariff energy meter & electrical parameter plus BACnet MS/TP comm port		A9MEM1543	PowerTag Energy M63 3P 230 V LL	
A9MEM3175	iEM3175 advanced multi-tariff energy meter & electrical parameter plus LON TP/FT-10 comm port		A9MEM1560	PowerTag Energy F63 1P+N	
A9MEM3200	iEM3200 basic energy meter		A9MEM1561	PowerTag Energy P63 1P+N Top	
A9MEM3210	iEM3210 energy meter with pulse output		A9MEM1562	PowerTag Energy P63 1P+N Bottom	
A9MEM3215	iEM3215 multi-tariff energy meter		A9MEM1563	PowerTag Energy P63 1P+N B RCBO	
A9MEM3235	iEM3235 advanced multi-tariff energy meter & electrical parameter plus M-Bus comm port		A9MEM1564	PowerTag Energy F63 1P+N 110 V	
			A9MEM1570	PowerTag Energy F63 3P+N	
			A9MEM1571	PowerTag Energy P63 3P+N Top	
			A9MEM1572	PowerTag Energy P63 3P+N Bottom	
			A9MEM1573	PowerTag Energy F63 3P	

# PowerLogic™ Commercial Reference Numbers

Commercial reference number	Description	Page
A9MEM1574	PowerTag Energy F63 3P+N 127/220 V	
A9MEM1580	PowerTag Energy F160 3P / 3P+N	
A9MEM1590	PowerTag Energy R200 3P / 3P+N	
A9MEM1591	PowerTag Energy R600 3P / 3P+N	
A9MEM1592	PowerTag Energy R1000 3P / 3P+N	
A9MEM1593	PowerTag Energy R2000 3P / 3P+N	
LV434020	PowerTag Energy M250 3P	
LV434021	PowerTag Energy M250 3P+N	
LV434022	PowerTag Energy M630 3P	
LV434023	PowerTag Energy M630 3P+N	
R9M20	PowerTag Energy R9 M63 1P+W	
R9M21	PowerTag Energy R9 M63 1P+N Top	
R9M22	PowerTag Energy R9 M63 1P+N Bottom	
R9M40	PowerTag Energy R9 M63 3P	
R9M41	PowerTag Energy R9 M63 3P+N Top	
R9M42	PowerTag Energy R9 M63 3P+N Bottom	
R9M43	PowerTag Energy R9 M63 3P 230 V LL	
R9M60	PowerTag Energy R9 F63 1P+N	
R9M70	PowerTag Energy R9 F63 3P+N	
	<b>Wireless Products</b>	<b>96</b>
	<b>PowerTag Control</b>	<b>97</b>
A9XMC2D3	PowerTag C 2DI 230V digital input module	
	<b>HeatTag</b>	<b>101</b>
SMT10020	HeatTag smart sensor cable overheating	
	<b>Basic Multi-Function Metering</b>	<b>105</b>
	<b>PM5000</b>	<b>115</b>
METSEPM5100	Power Meter, 600V AC L-L/ 5A or 1A input, 415V AC L-L or 250V DC control power, CI 0.5S, 15th harmonic, 1DO	
METSEPM5110	Power Meter, 600V AC L-L/ 5A or 1A input, 415V AC L-L or 250V DC control power, CI 0.5S, 15th harmonic, 1DO, RS-485	
METSEPM5111	Power Meter, 600V AC L-L/ 5A or 1A input, 415V AC L-L or 250V DC control power, CI 0.5S, 15th harmonic, 1DO, RS-485, MID	
METSEPM5310	Power Meter, 600V AC L-L/ 5A or 1A input, 415V AC L-L or 250V DC control power, CI 0.5S, 31st harmonic, 256 kB, 2DI/2DO, RS-485	
METSEPM5310R	Power Meter, 600V AC L-L/ RJ45 LVCT input, 415V AC L-L or 250V DC control power, CI 0.5S, 31st harmonic, 256 kB, 2DI/2DO, RS-485	
METSEPM5320	Power Meter, 600V AC L-L/ 5A or 1A input, 415V AC L-L or 250V DC control power, CI 0.5S, 31st harmonic, 256 kB, 2DI/2DO, Ethernet	
METSEPM5320R	Power Meter, 600V AC L-L/ RJ45 LVCT input, 415V AC L-L or 250V DC control power, CI 0.5S, 31st harmonic, 256 kB, 2DI/2DO, Ethernet	
METSEPM5330	Power Meter, 600V AC L-L/ 5A or 1A input, 415V AC L-L or 250V DC control power, CI 0.5S, 31st harmonic, 256 kB, 2DI/2DO/2-Relay, RS-485	
METSEPM5331	Power Meter, 600V AC L-L/ 5A or 1A input, 415V AC L-L or 250V DC control power, CI 0.5S, 31st harmonic, 256 kB, 2DI/2DO/2-Relay, RS-485, MID	
METSEPM5340	Power Meter, 600V AC L-L/ 5A or 1A input, 415V AC L-L or 250V DC control power, CI 0.5S, 31st harmonic, 256 kB, 2DI/2DO/2-Relay, Ethernet	
METSEPM5341	Power Meter, 600V AC L-L/ 5A or 1A input, 415V AC L-L or 250V DC control power, CI 0.5S, 31st harmonic, 256 kB, 2DI/2DO/2-Relay, Ethernet, MID	
METSEPM5560	Power Meter, 690V AC L-L/ 5A or 1A input, 480V AC L-L or 250V DC control power, CI 0.2S, 63rd harmonic, 1.1 MB, 4DI/2-DO, RS-485, Ethernet	
METSEPM5561	Power Meter, 690V AC L-L/ 5A or 1A input, 480V AC L-L or 250V DC control power, CI 0.2S, 63rd harmonic, 1.1 MB, 4DI/2-DO, RS-485, Ethernet, MID	
METSEPM5562	Power Meter, 690V AC L-L/ 5A or 1A input, 480V AC L-L or 250V DC control power, CI 0.2S, 63rd harmonic, 1.1 MB, 4DI/2-DO, RS-485, Ethernet, RMI CAN approved, Hardware lockable	
METSEPM5562MC	Power Meter, 690V AC L-L/ 5A or 1A input, 480V AC L-L or 250V DC control power, CI 0.2S, 63rd harmonic, 1.1 MB, 4DI/2-DO, RS-485, Ethernet, RMI CAN approved, Factory sealed	

Commercial reference number	Description	Page
METSEPM5563	Power Meter, 690V AC L-L/ 5A or 1A input, 480V AC L-L or 250V DC control power, CI 0.2S, 63rd harmonic, 1.1 MB, 4DI/2-DO, RS-485, Ethernet, DIN mount, No display	
METSEPM5563RD	Power Meter, 690V AC L-L/ 5A or 1A input, 480V AC L-L or 250V DC control power, CI 0.2S, 63rd harmonic, 1.1 MB, 4DI/2-DO, RS-485, Ethernet, DIN mount, Remote display	
METSEPM5570	Power Meter, 690V AC L-L/ 5A or 1A input, 480V AC L-L or 250V DC control power, CI 0.2S, 63rd harmonic, 1.1 MB, 2DI/2AI/2-DO, RS-485, Ethernet	
METSEPM5580	Power Meter, 690V AC L-L/ 5A or 1A input, 24 to 64V DC control power, CI 0.2S, 63rd harmonic, 1.1 MB, 4DI/2-DO, RS-485, Ethernet	
METSEPM5650	Power Meter, 690V AC L-L/ 5A or 1A input, 480V AC L-L or 250V DC control power, CI 0.2S, 63rd harmonic, 1.1 MB, 4DI/2-DO, RS-485, Ethernet, Wave Form Capture and Sag/swell	
METSEPM5660	Power Meter, 690V AC L-L/ 5A or 1A input, 480V AC L-L or 250V DC control power, CI 0.2S, 63rd harmonic, 1.1 MB, 2DI/2-DO, RS-485, Ethernet, Residual Current Monitor	
METSEPM5661	Power Meter, 690V AC L-L/ 5A or 1A input, 480V AC L-L or 250V DC control power, CI 0.2S, 63rd harmonic, 1.1 MB, 2DI/2-DO, RS-485, Ethernet, Residual Current Monitor, MID	
METSEPM5760	Power Meter, 690V AC L-L/ 5A or 1A input, 480V AC L-L or 250V DC control power, CI 0.2S, 63rd harmonic, 1.1 MB, 2DI/2-DO, RS-485, Ethernet, Wave Form Capture and Sag/swell, Residual current monitor	
METSEPM5761	Power Meter, 690V AC L-L/ 5A or 1A input, 480V AC L-L or 250V DC control power, CI 0.2S, 63rd harmonic, 1.1 MB, 2DI/2-DO, RS-485, Ethernet, Wave Form Capture and Sag/swell, Residual current monitor, MID	
	<b>Residual Current Monitoring Toroids (Vigirex) - Closed Toroids, A Type</b>	<b>115</b>
50437	TA30 - closed toroid A type, for RCM enabled power meters, 30 mm inner diameter, rated current 65 Amps, 1000 turns	
50438	PA50 - closed toroid A type, for RCM enabled power meters, 50 mm inner diameter, rated current 85 Amps, 1000 turns	
50439	IA80 - closed toroid A type, for RCM enabled power meters, 80 mm inner diameter, rated current 160 Amps, 1000 turns	
50440	MA120 - closed toroid A type, for RCM enabled power meters, 120 mm inner diameter, rated current 250 Amps, 1000 turns	
50441	SA200 - closed toroid A type, for RCM enabled power meters, 200 mm inner diameter, rated current 400 Amps, 1000 turns	
50442	GA300 - closed toroid A type, for RCM enabled power meters, 300 mm inner diameter, rated current 630 Amps, 1000 turns	
	<b>Accessories for Closed Toroids</b>	<b>115</b>
56055	Magnetic ring/ Iron screen accessory for TA30 toroid sensor	
56056	Magnetic ring/ Iron screen accessory for PA50 toroid sensor	
56057	Magnetic ring/ Iron screen accessory for IA80 toroid sensor	
56058	Magnetic ring/ Iron screen accessory for MA120 toroid sensor	
	<b>Residual Current Monitoring Toroids (Vigirex) - Split Toroids, OA Type</b>	<b>115</b>
50420	TOA80 - split toroid OA type, 80 mm inner diameter, rated current 160 Amps, 1000 turns	
50421	TOA120 - split toroid OA type, 120 mm inner diameter, rated current 250 Amps, 1000 turns	
56053	L1 type - rectangular sensor, width 280 x height 115 mm, rated current 1600 Amps, 1000 turns	
56054	L2 type - rectangular sensor, width 470 x height 160 mm, rated current 3200 Amps, 1000 turns	
	<b>0.333V (1/3 Volts), 3-in-1 CTs with RJ45 connectors for PM53x0R LVCT enabled power meter</b>	<b>116</b>
METSECTV25006	LVCT Solid core 3 in 1 with RJ45 cable, 25 mm phase center, 60 Amps, 0.333V output	
METSECTV25010	LVCT Solid core 3 in 1 with RJ45 cable, 25 mm phase center, 100 Amps, 0.333V output	
METSECTV25013	LVCT Solid core 3 in 1 with RJ45 cable, 25 mm phase center, 125 Amps, 0.333V output	
METSECTV25016	LVCT Solid core 3 in 1 with RJ45 cable, 25 mm phase center, 160 Amps, 0.333V output	

# PowerLogic™ Commercial Reference Numbers

Commercial reference number	Description	Page
METSECTV35006	LVCT Solid core 3 in 1 with RJ45 cable, 35 mm phase center, 60 Amps, 0.333V output	
METSECTV35010	LVCT Solid core 3 in 1 with RJ45 cable, 35 mm phase center, 100 Amps, 0.333V output	
METSECTV35012	LVCT Solid core 3 in 1 with RJ45 cable, 35 mm phase center, 120 Amps, 0.333V output	
METSECTV35013	LVCT Solid core 3 in 1 with RJ45 cable, 35 mm phase center, 125 Amps, 0.333V output	
METSECTV35015	LVCT Solid core 3 in 1 with RJ45 cable, 35 mm phase center, 150 Amps, 0.333V output	
METSECTV35016	LVCT Solid core 3 in 1 with RJ45 cable, 35 mm phase center, 160 Amps, 0.333V output	
METSECTV35020	LVCT Solid core 3 in 1 with RJ45 cable, 35 mm phase center, 200 Amps, 0.333V output	
METSECTV35025	LVCT Solid core 3 in 1 with RJ45 cable, 35 mm phase center, 250 Amps, 0.333V output	
METSECTV45025	LVCT Solid core 3 in 1 with RJ45 cable, 45 mm phase center, 250 Amps, 0.333V output	
METSECTV45030	LVCT Solid core 3 in 1 with RJ45 cable, 45 mm phase center, 300 Amps, 0.333V output	
METSECTV45040	LVCT Solid core 3 in 1 with RJ45 cable, 45 mm phase center, 400 Amps, 0.333V output	
METSECTV45050	LVCT Solid core 3 in 1 with RJ45 cable, 45 mm phase center, 500 Amps, 0.333V output	
METSECTV45060	LVCT Solid core 3 in 1 with RJ45 cable, 45 mm phase center, 600 Amps, 0.333V output	
METSECTV45063	LVCT Solid core 3 in 1 with RJ45 cable, 45 mm phase center, 630 Amps, 0.333V output	
METSECTV29006	LVCT Solid core 3 in 1 with RJ45 cable, 29 mm phase center, 60 Amps, 0.333V output	
METSECTV29010	LVCT Solid core 3 in 1 with RJ45 cable, 29 mm phase center, 100 Amps, 0.333V output	
METSECTV29012	LVCT Solid core 3 in 1 with RJ45 cable, 29 mm phase center, 120 Amps, 0.333V output	
METSECTV29013	LVCT Solid core 3 in 1 with RJ45 cable, 29 mm phase center, 125 Amps, 0.333V output	
METSECTV29015	LVCT Solid core 3 in 1 with RJ45 cable, 29 mm phase center, 150 Amps, 0.333V output	
METSECTV29016	LVCT Solid core 3 in 1 with RJ45 cable, 29 mm phase center, 160 Amps, 0.333V output	
METSECTV29020	LVCT Solid core 3 in 1 with RJ45 cable, 29 mm phase center, 200 Amps, 0.333V output	
METSECTV70080	LVCT Solid core 3 in 1 with RJ45 cable, 70 mm phase center, 800 Amps, 0.333V output	
METSECTV70100	LVCT Solid core 3 in 1 with RJ45 cable, 70 mm phase center, 1000 Amps, 0.333V output	
METSECTV70125	LVCT Solid core 3 in 1 with RJ45 cable, 70 mm phase center, 1250 Amps, 0.333V output	
	<b>Cable</b>	<b>116</b>
METSEPM5CAB03	RJ25 cable assembly for interfacing PM5563 meter and PM5RD remote display with 0.3 meter cable length	
METSEPM5CAB1	RJ25 cable assembly for interfacing PM5563 meter and PM5RD remote display with 1.0 meter cable length	
METSEPM5CAB10	RJ25 cable assembly for interfacing PM5563 meter and PM5RD remote display with 10 meter cable length	
METSEPM5CAB3	RJ25 cable assembly for interfacing PM5563 meter and PM5RD remote display with 3 meter cable length	
METSEPM5CAB4	RJ25 cable assembly for interfacing PM5563 meter and PM5RD remote display with 4 meter cable length	
	<b>Other related products</b>	<b>116</b>
METSEPM5RD	Remote display unit for PM5563 power meter supplied with mounting bracket, gasket, anti-rotation pin and RJ25 cable METSEPM5CABxy	
METSEPM51HK	Hardware kit for PM51xx comprises 2 retainer clips and spare connectors for - Voltage in, Control power in, Digital IO & RS-485	
METSEPM53HK	Hardware kit for PM51xx comprises 2 retainer clips and spare connectors for - Voltage in, Control power in, Digital IO, Relay & RS-485	
METSEPM51_3RSK	Revenue sealing kit for PM51XX & PM53XX	
METSEPM55RSK	Revenue sealing kit for PM55XX	
METSEPM55HK	Hardware kit for PM55xx	
METSEPM5CAB3	Remote Display cable	

Commercial reference number	Description	Page
	<b>PM5350</b>	<b>118</b>
METSEPM5350	RS-485 Modbus, THD, 4DI, 2Relay	
METSEPM5350IB	RS-485, 4DI/2Relay, Multi-level alarm, UL480V, 4DI/2Relay	
METSEPM5350PB	RS-485, 4DI/2Relay, Multi-level alarm, UL300V, 4DI/2Relay	
METSEPM5350P	RS-485 Modbus, THD, 31st Individual harmonics, Multi-tariff, 4DI/2Relay	
	<b>EcoStruxure™ Panel Server</b>	<b>125</b>
	<b>Panel Server Entry</b>	<b>127</b>
PAS400	Panel Server Entry 110..277 V AC/DC	
	<b>Panel Server Universal</b>	<b>130</b>
PAS600L	Panel Server Universal with 24 V DC power supply	
PAS600T	Panel Server Universal with 100-240 V AC/DC power supply	
PAS600	Panel Server Universal with 100-277 V AC/DC power supply	
	<b>Panel Server Advanced</b>	<b>133</b>
PAS800L	Panel Server Advanced with 24 V DC power supply	
PAS800P	Panel Server Advanced with PoE power supply	
PAS800	Panel Server Advanced with 100-277 V AC/DC power supply	
<p><b>For any enclosure or product configuration not listed, please see your Schneider Electric Representative for complete ordering information.</b></p>		





[www.se.com](http://www.se.com)

Schneider Electric Industries SAS  
35, Rue Joseph Monier  
CS 30323  
92506 Rueil Malmaison Cedex

RCS Nanterre 954 503 439  
Capital social 928 298 512 €  
[www.se.com](http://www.se.com)

May 2022  
Panel Builders Catalog  
**PLSED310126EN**

© 2022 - Schneider Electric. All rights reserved.  
All trademarks are owned by Schneider Electric  
Industries SAS or its affiliated companies.

As standards, specifications and designs develop from time to time, please  
ask for confirmation of the information given in this document.

Over 75 % of Schneider Electric products  
have been awarded the Green Premium ecolabel.

