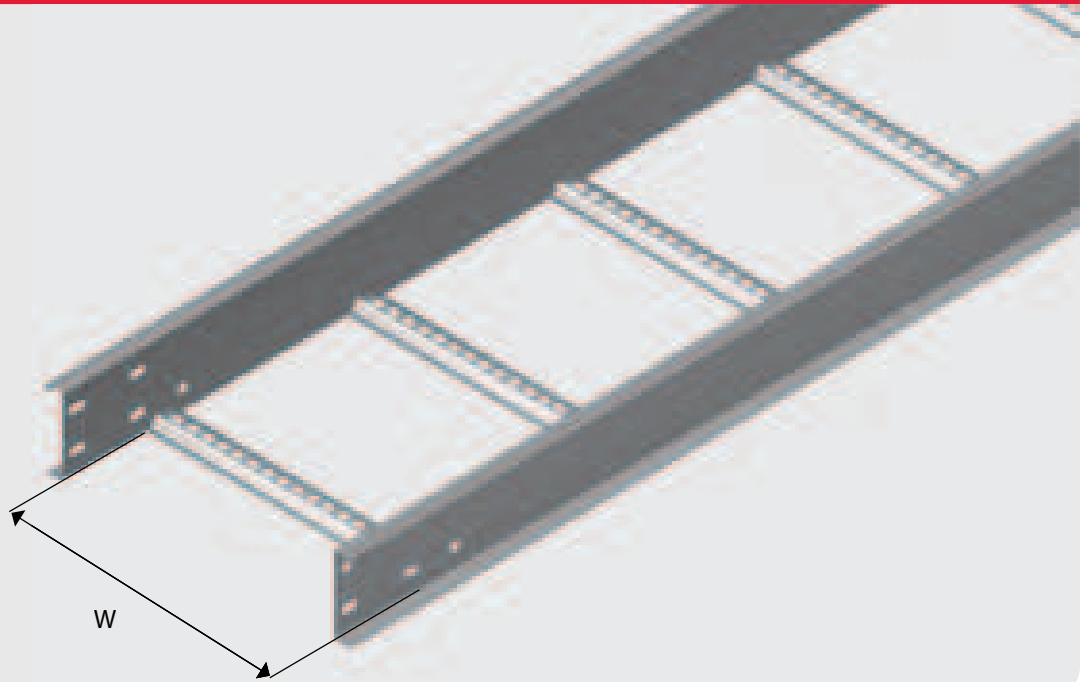


NEMA 3 CABLE LADDER



PRODUCT DETAILS

EzyStrut Nema 3 Steel Cable Ladder is manufactured from strip steel to the following Standards:

- Mild steel and Hot Dip Galvanised to AS/NZS1365, AS1594, AS/NZS4680, ISO1461
- Stainless Steel to AS1449/AS2837
- Meets the loading requirements of NEMA 20B Classification

STANDARD LENGTH

- 6 Metres
- 3 Metre lengths manufactured against firm orders only

ORDERING DETAILS

Supplied per length

AVAILABLE FINISH	ORDERING CODE
Hot Dip Galvanised	N3L...H
Stainless Steel	N3L...S

Stainless Steel products are manufactured against firm orders only. Minimum production quantities may apply.

Ordering Code	Cable Laying Width - W (mm)	Cable Laying Depth (mm)	Overall Width (mm)	Side Rail Height (mm)
N3L150	150	115	206	130
N3L300	300	115	356	130
N3L450	450	115	506	130
N3L600	600	115	656	130
N3L900	900	115	956	130

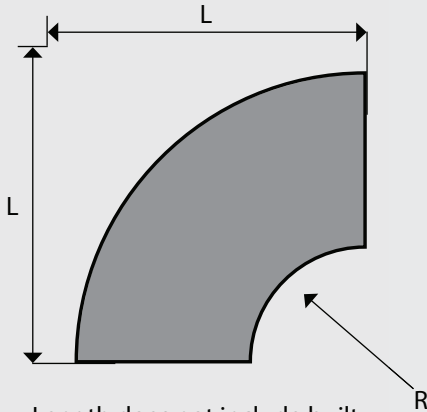
LOAD RATING AND DEFLECTION

SPAN METRE	LOAD PER METRE	DEFLECTION
6.0	111kg	Deflection 31mm
5.5	127kg	Deflection 26mm
5.0	134kg	Deflection 19mm
4.5	165kg	Deflection 16mm
4.0	209kg	Deflection 13mm

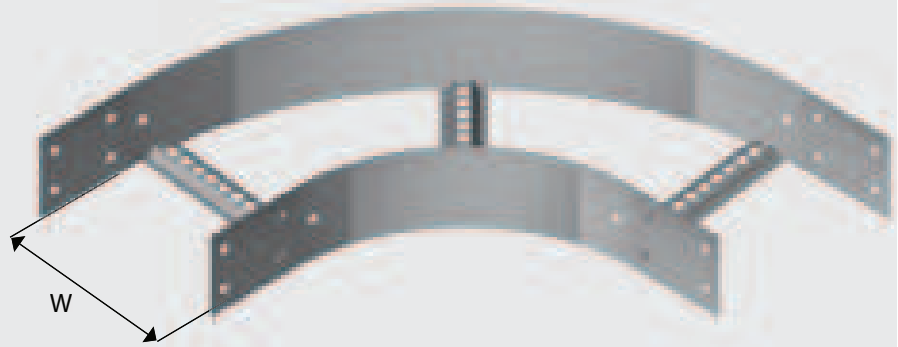
Nema 3 Steel Cable Ladder has been tested in accordance with NEMA standards and the load ratings certified by a NATA accredited testing facility.

A guide to deflection for continuous runs has been included for easy reference, however it should be noted that the positioning of splice joints and loading techniques can significantly impact upon the actual deflection. Refer to NEMA VE2 Installation guidelines for further explanation.

NEMA 3 CABLE LADDER BEND



Length does not include built in splice plates. Splice plate length is 150mm.



Fitting shown for illustration purposes only. The rung layout shown is typical and will vary on each fitting, depending on width and radius.

PRODUCT DETAILS

EzyStrut Nema 3 Steel Cable Ladder Bends are manufactured from strip steel to the following standards:

- Mild steel and Hot Dip Galvanised to AS/NZS1365, AS1594, AS/NZS4680, ISO1461
- Stainless Steel to AS1449/AS2837
- Meets the loading requirements of NEMA 20B Classification

The standard radius for EzyStrut Nema 3 Bends is 450mm.

16 splice bolts (SBH or SBS) and splice nuts (SNH or SNS) should be ordered separately for installation. See Page 2.2.

ORDERING DETAILS

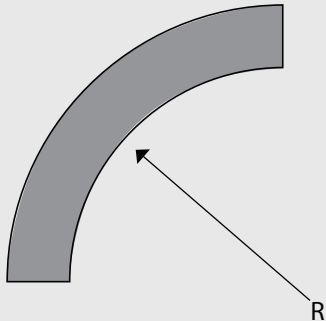
Supplied individually

AVAILABLE FINISH	ORDERING CODE
Hot Dip Galvanised	N3B...H
Stainless Steel	N3B...S

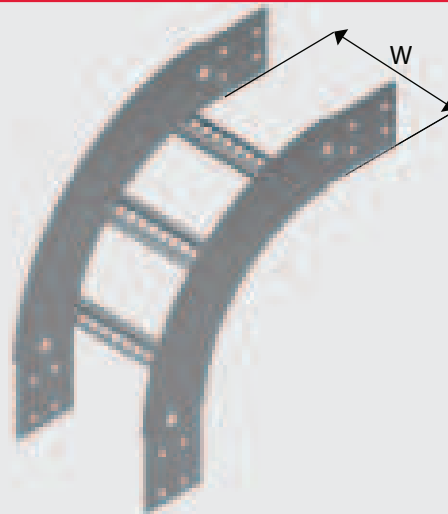
Stainless Steel products are manufactured against firm orders only. Minimum production quantities may apply.

	Ordering Code	Cable Laying Width - W (mm)	Cable Laying Depth (mm)	Length - L (mm)	Radius - R (mm)
300mm Radius	N3B1503	150	112	450	300
	N3B3003	300	112	600	300
	N3B4503	450	112	750	300
	N3B6003	600	112	900	300
	N3B9003	900	112	1200	300
450mm Radius	N3B1504	150	112	600	450
	N3B3004	300	112	750	450
	N3B4504	450	112	900	450
	N3B6004	600	112	1050	450
	N3B9004	900	112	1350	450
600mm Radius	N3B1506	150	112	750	600
	N3B3006	300	112	900	600
	N3B4506	450	112	1050	600
	N3B6006	600	112	1200	600
	N3B9006	900	112	1500	600

NEMA 3 CABLE LADDER EXTERNAL RISER



Radius does not include built in splice plates. Splice plate length is 150mm.



Fitting shown for illustration purposes only. The rung layout shown is typical and will vary on each fitting, depending on width and radius.

PRODUCT DETAILS

EzyStrut Nema 3 Steel Cable Ladder External Risers are manufactured from strip steel to the following standards:

- Mild steel and Hot Dip Galvanised to AS/NZS1365, AS1594, AS/NZS4680, ISO1461
- Stainless Steel to AS1449/AS2837
- Meets the loading requirements of NEMA 20B Classification

ORDERING DETAILS

Supplied individually

AVAILABLE FINISH

- Hot Dip Galvanised
- Stainless Steel

ORDERING CODE

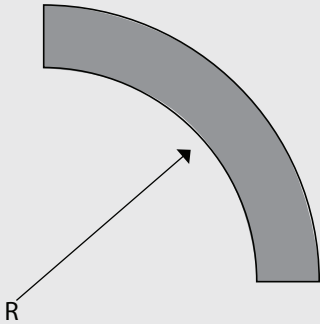
- N3ER...H
- N3ER...S

The standard radius for EzyStrut Nema 3 External Risers is 450mm. Stainless Steel products are manufactured against firm orders only. Minimum production quantities may apply.

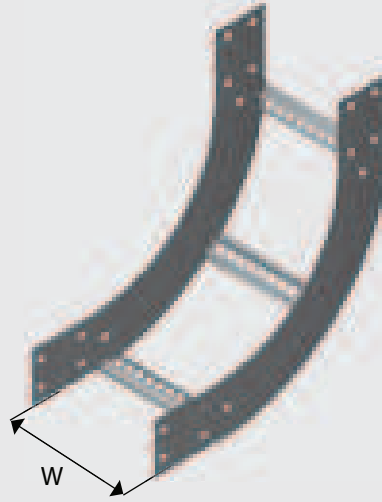
16 splice bolts (SBH or SBS) and splice nuts (SNH or SNS) should be ordered separately for installation. See Page 2.2.

	Ordering Code	Cable Laying Width - W (mm)	Cable Laying Depth (mm)	Radius - R (mm)
300mm Radius	N3ER1503	150	112	300
	N3ER3003	300	112	300
	N3ER4503	450	112	300
	N3ER6003	600	112	300
	N3ER9003	900	112	300
450mm Radius	N3ER1504	150	112	450
	N3ER3004	300	112	450
	N3ER4504	450	112	450
	N3ER6004	600	112	450
	N3ER9004	900	112	450
600mm Radius	N3ER1506	150	112	600
	N3ER3006	300	112	600
	N3ER4506	450	112	600
	N3ER6006	600	112	600
	N3ER9006	900	112	600

NEMA 3 CABLE LADDER INTERNAL RISER



Radius does not include built in splice plates. Splice plate length is 150mm.



Fitting shown for illustration purposes only. The rung layout shown is typical and will vary on each fitting, depending on width and radius.

PRODUCT DETAILS

EzyStrut Nema 3 Steel Cable Ladder Internal Risers are manufactured from strip steel to the following standards:

- Mild steel and Hot Dip Galvanised to AS/NZS1365, AS1594, AS/NZS4680, ISO1461
- Stainless Steel to AS1449/AS2837
- Meets the loading requirements of NEMA 20B Classification

ORDERING DETAILS

Supplied individually

AVAILABLE FINISH

Hot Dip Galvanised
Stainless Steel

ORDERING CODE

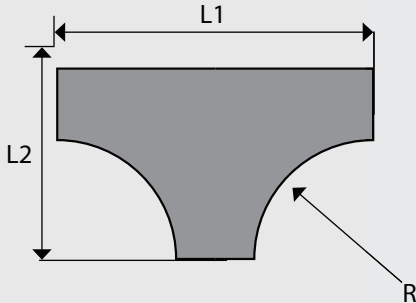
N3IR...H
N3IR...S

The standard radius for EzyStrut Nema 3 Internal Risers is 450mm. Stainless Steel products are manufactured against firm orders only. Minimum production quantities may apply.

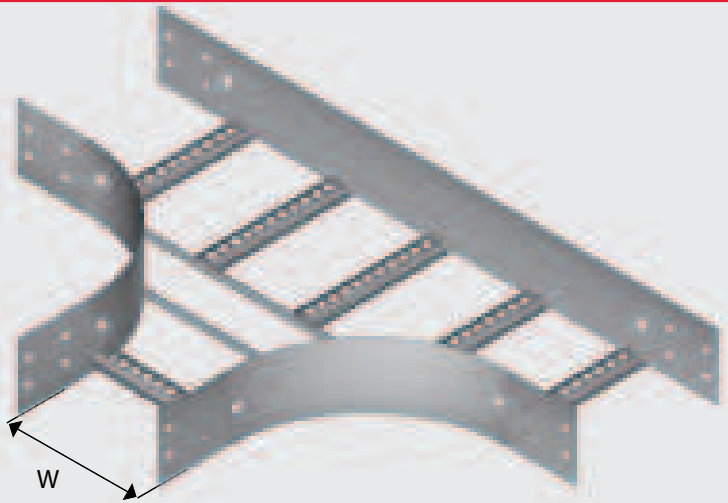
16 splice bolts (SBH or SBS) and splice nuts (SNH or SNS) should be ordered separately for installation. See Page 2.2.

	Ordering Code	Cable Laying Width - W (mm)	Cable Laying Depth (mm)	Radius - R (mm)
300mm Radius	N3IR1503	150	112	300
	N3IR3003	300	112	300
	N3IR4503	450	112	300
	N3IR6003	600	112	300
	N3IR9003	900	112	300
450mm Radius	N3IR1504	150	112	450
	N3IR3004	300	112	450
	N3IR4504	450	112	450
	N3IR6004	600	112	450
	N3IR9004	900	112	450
600mm Radius	N3IR1506	150	112	600
	N3IR3006	300	112	600
	N3IR4506	450	112	600
	N3IR6006	600	112	600
	N3IR9006	900	112	600

NEMA 3 CABLE LADDER TEE



Length does not include built in splice plates. Splice plate length is 150mm.



Fitting shown for illustration purposes only. The rung layout shown is typical and will vary on each fitting, depending on width and radius.

PRODUCT DETAILS

EzyStrut Nema 3 Steel Cable Ladder Tees are manufactured from strip steel to the following standards:

- Mild steel and Hot Dip Galvanised to AS/NZS1365, AS1594, AS/NZS4680, ISO1461
- Stainless Steel to AS1449/AS2837
- Meets the loading requirements of NEMA 20B Classification

The standard radius for EzyStrut Nema 3 Tees is 450mm.

24 splice bolts (SBH or SBS) and splice nuts (SNH or SNS) should be ordered separately for installation. See Page 2.2.

ORDERING DETAILS

Supplied individually

AVAILABLE FINISH

Hot Dip Galvanised
Stainless Steel

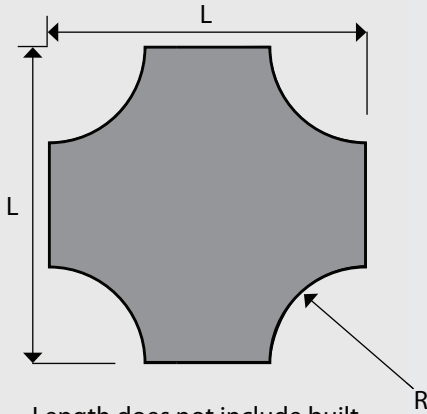
ORDERING CODE

N3T...H
N3T...S

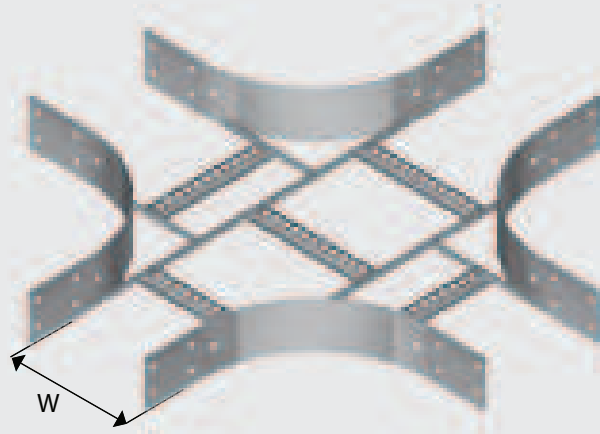
Stainless Steel products are manufactured against firm orders only. Minimum production quantities may apply.

	Ordering Code	Cable Laying Width - W (mm)	Cable Laying Depth	Length 1 - L1 (mm)	Length 2 - L2 (mm)	Radius - R (mm)
300mm Radius	N3T1503	150	112	750	450	300
	N3T3003	300	112	900	600	300
	N3T4503	450	112	1050	750	300
	N3T6003	600	112	1200	900	300
	N3T9003	900	112	1500	1200	300
450mm Radius	N3T1504	150	112	1050	600	450
	N3T3004	300	112	1200	750	450
	N3T4504	450	112	1350	900	450
	N3T6004	600	112	1500	1050	450
	N3T9004	900	112	1800	1350	450
600mm Radius	N3T1506	150	112	1350	750	600
	N3T3006	300	112	1500	900	600
	N3T4506	450	112	1650	1050	600
	N3T6006	600	112	1800	1200	600
	N3T9006	900	112	2100	1500	600

NEMA 3 CABLE LADDER CROSS



Length does not include built in splice plates. Splice plate length is 150mm.



Fitting shown for illustration purposes only. The rung layout shown is typical and will vary on each fitting, depending on width and radius.

PRODUCT DETAILS

EzyStrut Nema 3 Steel Cable Ladder Crosses are manufactured from strip steel to the following standards:

- Mild steel and Hot Dip Galvanised to AS/NZS1365, AS1594, AS/NZS4680, ISO1461
- Stainless Steel to AS1449/AS2837
- Meets the loading requirements of NEMA 20B Classification

The standard radius for EzyStrut Nema 3 Crosses is 450mm.

32 splice bolts (SBH or SBS) and splice nuts (SNH or SNS) should be ordered separately for installation. See Page 2.2.

ORDERING DETAILS

Supplied individually

AVAILABLE FINISH

Hot Dip Galvanised
Stainless Steel

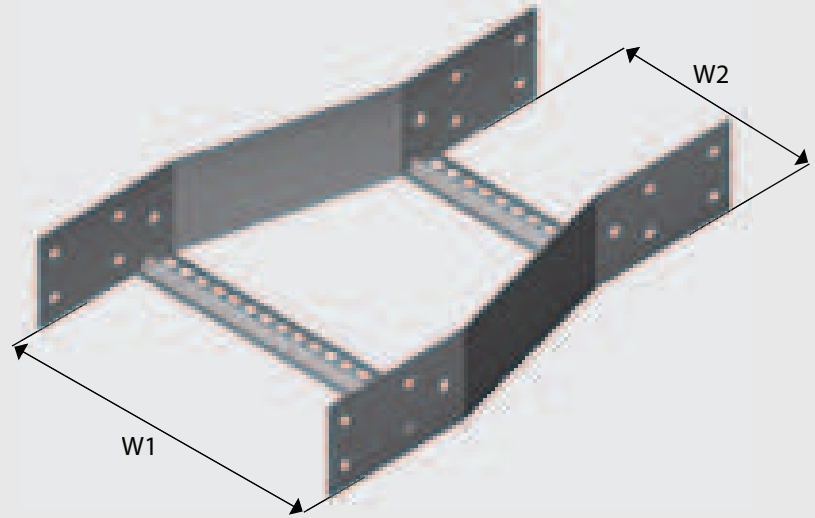
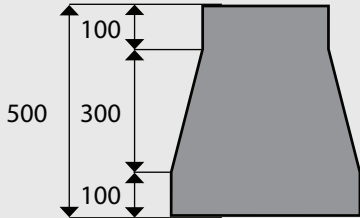
ORDERING CODE

N3C...H
N3C...S

Stainless Steel products are manufactured against firm orders only. Minimum production quantities may apply.

	Ordering Code	Cable Laying Width - W (mm)	Cable Laying Depth (mm)	Length - L (mm)	Radius - R (mm)
300mm Radius	N3C1503	150	112	750	300
	N3C3003	300	112	900	300
	N3C4503	450	112	1050	300
	N3C6003	600	112	1200	300
	N3C9003	900	112	1500	300
450mm Radius Standard Radius	N3C1504	150	112	1050	450
	N3C3004	300	112	1200	450
	N3C4504	450	112	1350	450
	N3C6004	600	112	1500	450
	N3C9004	900	112	1800	450
600mm Radius	N3C1506	150	112	1350	600
	N3C3006	300	112	1500	600
	N3C4506	450	112	1650	600
	N3C6006	600	112	1800	600
	N3C9006	900	112	2100	600

NEMA 3 CABLE LADDER STRAIGHT REDUCER



Length does not include built in splice plates. Splice plate length is 150mm.

PRODUCT DETAILS

EzyStrut Nema 3 Steel Cable Ladder Straight Reducers are manufactured from strip steel to the following standards:

- Mild steel and Hot Dip Galvanised to AS/NZS1365, AS1594, AS/NZS4680, ISO1461
- Stainless Steel to AS1449/AS2837
- Meets the loading requirements of NEMA 20B Classification

16 splice bolts (SBH or SBS) and splice nuts (SNH or SNS) should be ordered separately for installation. See Page 2.2.

ORDERING DETAILS

Supplied individually

AVAILABLE FINISH

- Hot Dip Galvanised
- Stainless Steel

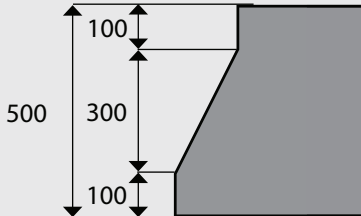
ORDERING CODE

- N3SR...H
- N3SR...S

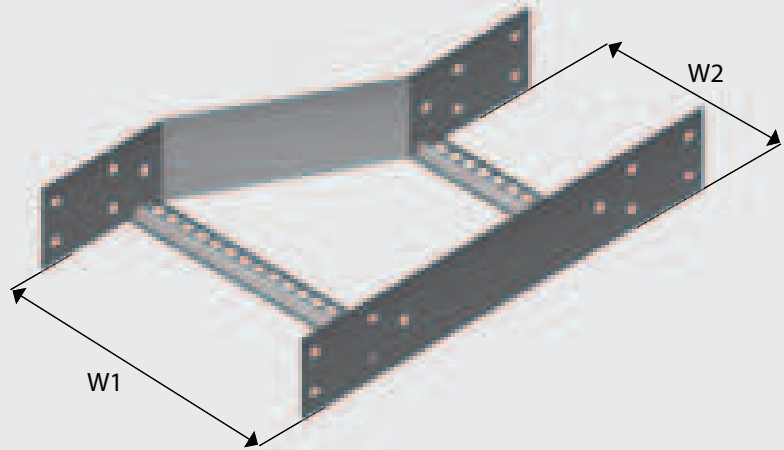
Stainless Steel products are manufactured against firm orders only. Minimum production quantities may apply.

Ordering Code	Cable Laying Depth (mm)	Width 1 - W1 (mm)	Width 2 - W2 (mm)
N3SR900600	112	900	600
N3SR900450	112	900	450
N3SR900300	112	900	300
N3SR900150	112	900	150
N3SR600450	112	600	450
N3SR600300	112	600	300
N3SR600150	112	600	150
N3SR450300	112	450	300
N3SR450150	112	450	150
N3SR300150	112	300	150

NEMA 3 CABLE LADDER RIGHT HAND REDUCER



Length does not include built in splice plates. Splice plate length is 150mm.



PRODUCT DETAILS

EzyStrut Nema 3 Steel Cable Ladder Right Hand Reducers are manufactured from strip steel to the following standards:

- Mild steel and Hot Dip Galvanised to AS/NZS1365, AS1594, AS/NZS4680, ISO1461
- Stainless Steel to AS1449/AS2837
- Meets the loading requirements of NEMA 20B Classification

16 splice bolts (SBH or SBS) and splice nuts (SNH or SNS) should be ordered separately for installation. See Page 2.2.

ORDERING DETAILS

Supplied individually

AVAILABLE FINISH

Hot Dip Galvanised
Stainless Steel

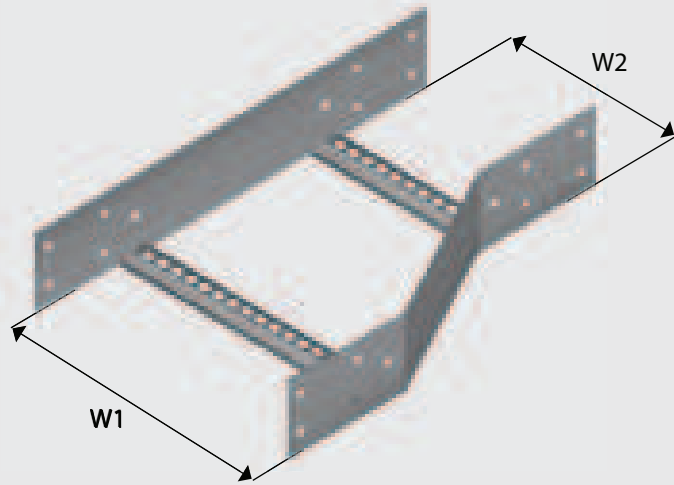
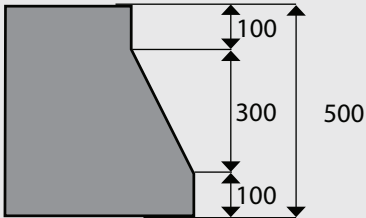
ORDERING CODE

N3RHR...H
N3RHR...S

Stainless Steel products are manufactured against firm orders only. Minimum production quantities may apply.

Ordering Code	Cable Laying Depth (mm)	Width 1 - W1 (mm)	Width 2 - W2 (mm)
N3RHR900600	112	900	600
N3RHR900450	112	900	450
N3RHR900300	112	900	300
N3RHR900150	112	900	150
N3RHR600450	112	600	450
N3RHR600300	112	600	300
N3RHR600150	112	600	150
N3RHR450300	112	450	300
N3RHR450150	112	450	150
N3RHR300150	112	300	150

NEMA 3 CABLE LADDER LEFT HAND REDUCER



Length does not include built in splice plates. Splice plate length is 150mm.

PRODUCT DETAILS

EzyStrut Nema 3 Steel Cable Ladder Left Hand Reducers are manufactured from strip steel to the following standards:

- Mild steel and Hot Dip Galvanised to AS/NZS1365, AS1594, AS/NZS4680, ISO1461
- Stainless Steel to AS1449/AS2837
- Meets the loading requirements of NEMA 20B Classification

16 splice bolts (SBH or SBS) and splice nuts (SNH or SNS) should be ordered separately for installation. See Page 2.2.

ORDERING DETAILS

Supplied individually

AVAILABLE FINISH

- Hot Dip Galvanised
- Stainless Steel

ORDERING CODE

- N3LHR...H
- N3LHR...S

Stainless Steel products are manufactured against firm orders only. Minimum production quantities may apply.

Ordering Code	Cable Laying Depth (mm)	Width 1 - W1 (mm)	Width 2 - W2 (mm)
N3LHR900600	112	900	600
N3LHR900450	112	900	450
N3LHR900300	112	900	300
N3LHR900150	112	900	150
N3LHR600450	112	600	450
N3LHR600300	112	600	300
N3LHR600150	112	600	150
N3LHR450300	112	450	300
N3LHR450150	112	450	150
N3LHR300150	112	300	150

PRODUCT DETAILS

EzyStrut Steel Cable Ladder Splice Plates are manufactured from sheet steel to the following standards:

- Mild steel to AS/NZS1365 and Hot Dip Galvanised to AS/NZS4680, ISO1461
- Stainless Steel to AS1449, AS1837

ORDERING DETAILS

Supplied individually

AVAILABLE FINISH

Hot Dip Galvanised
Stainless Steel
Zinc Plated
Pre-Galvanised

ORDERING CODE

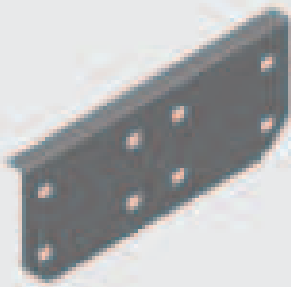
N3...H
N3...S
N3...Z (HDU only)
N3...G (DS only)

Stainless Steel products are manufactured against firm orders only. Minimum production quantities may apply.

N3S

NEMA 3 SPLICE PLATE

Wt: 0.69kg



2 Splices required per length of ladder.

Order fasteners separately for installation:

- 8 x SB[H/S]
- 8 x SN[H/S]

N3HDU

NEMA 3 HOLD DOWN UNIT

Wt: 0.15kg



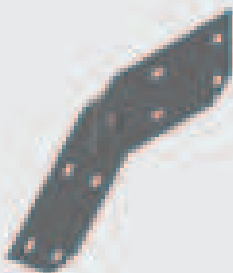
Supplied complete with hold down plate, spring nut and screw.

Hold Down Units are supplied with zinc plated fasteners as standard.

N3VS

NEMA 3 VERTICAL SPLICE PLATE

Wt: 0.85kg



2 Vertical Splices required per length of ladder.

Order fasteners separately for installation:

- 8 x SB[H/S]
- 8 x SN[H/S]

N3CC

NEMA 3 COVER CLAMP

Wt: 0.14kg



Supplied complete with cone screw for installation.

Suitable for use on both cable ladders and fittings.

N3HS

NEMA 3 HORIZONTAL SPLICE PLATE

Wt: 0.86kg



2 Horizontal Splices required per length of ladder.

Order fasteners separately for installation:

- 8 x SB[H/S]
- 8 x SN[H/S]

N3DS

NEMA 3 DIVIDER STRIP

Wt: 1.59kg

Order fasteners separately for installation:

- 2 x HS620
- 2 x E3016



Standard Length: **2.4m**
Standard Finish:
Pre-Galvanised