

## PRODUCT DETAILS

A full range of Ezytray accessories are available to complement the system and provide easy on site installation.

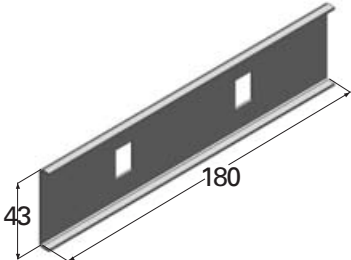
Ezytray accessories are common for all tray widths and can be used to make tees, risers, bends and crosses.

## ORDERING DETAILS

Available finish:

- G** – Galvabond
- H** – Hot Dip Galvanised

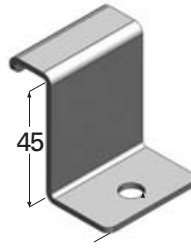
Hot dip galvanised products are manufactured against firm orders only. Minimum production quantities may apply.



2 Splices required per length of tray.  
Order fasteners separately for installation (per splice plate)

- 2 x SBH
- 2 x CNH

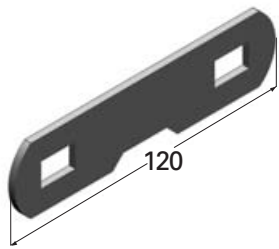
**ETS** Wt: 0.09 kg



Order fasteners separately for installation

- 1 x HS825
- 1 x E1007


**ETHD** Wt: 0.06 kg



6 Riser Links required to perform a 90 degree set.  
Order fasteners separately for installation (per riser link)

- 2 x SBH
- 2 x CNH

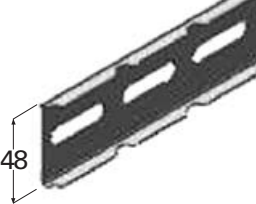
**ETRL** Wt: 0.05 kg



2 TX Brackets required to make a tee, and 4 required to make a cross.  
Order fasteners separately for installation (per TX Bracket)

- 4 x SBH
- 4 x CNH


**ETXX** Wt: 0.43 kg



Standard 2.0 metre length.  
Order fasteners separately for installation.  
Approximate length required to make a 150 radius bend

| Tray Size | Length Req'd | Fasteners Req'd |
|-----------|--------------|-----------------|
| ET150     | 0.7 metre    | 6               |
| ET300     | 0.9 metre    | 6               |
| ET450     | 1.2 metre    | 6               |
| ET600     | 1.4 metre    | 6               |

**ETRP** Wt: 1.00 kg



EzyStrut Splice Bolts have a smooth head to eliminate the risk of sheathing the cable during installation. Purpose made Counterbore Nuts ensure that full tension is achieved during installation.  
Both items are ordered separately.  
Specify ETFKH when both parts are required.

**SBH & CNH** Wt: 0.03 kg