

PRODUCT DETAILS

A full range of ET3 accessories are available to complement the system and provide easy on site fabrication.

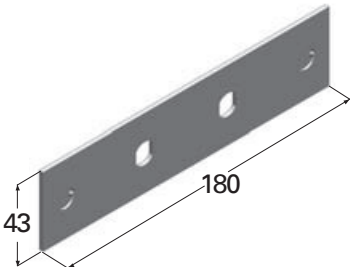
ET3 accessories are common for all tray widths and can be used to make tees, risers, bends and crosses.

ORDERING DETAILS

Available finish:

- G** – Galvabond
- H** – Hot Dip Galvanised

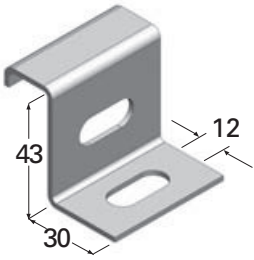
Hot Dip Galvanised products are manufactured against firm orders only. Minimum production quantities may apply.



2 Splices required per length of tray.
Order fasteners separately for installation (per splice plate)

- 2 x SBH
- 2 x CNH

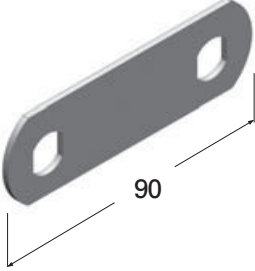
ET3S Wt: 0.15 kg



Order fasteners separately for installation

- 1 x HS1025
- 1 x E1007


ET3HD Wt: 0.06 kg



6 Riser Links required to perform a 90 degree set.
Order fasteners separately for installation (per riser link)

- 2 x SBH
- 2 x CNH

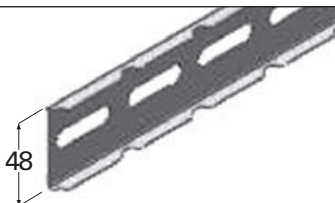
ET3RL Wt: 0.04 kg



2 TX Brackets required to make a tee, and 4 required to make a cross.
Order fasteners separately for installation (per TX Bracket)

- 4 x SBH
- 4 x CNH


ET3TX Wt: 0.38 kg



Nominal length 2.0 metres.
Order fasteners separately for installation.
Approximate length required to make a 150 radius bend

Tray Size	Length Req'd	Fasteners Req'd
ET3150	0.7 metre	6
ET3300	0.9 metre	6
ET3450	1.2 metre	8
ET3600	1.4 metre	8

ET3RP Wt: 0.70 kg



Both items are ordered separately.
EzyStrut Splice Bolts have a smooth head to eliminate the risk of sheathing the cable during installation.
Purpose made Counterbore Nuts ensure that full tension is achieved during installation.
Specify ETFKH when both parts are required.

SBH & CNH Wt: 0.03 kg