

SINGLE CHANNEL ROLLER

Working Load: **22kg**
Box Qty: **20**



Available Finish	Part Number	Service Guide
Z	E2749Z	A

DOUBLE CHANNEL ROLLER

Working Load: **44kg**
Box Qty: **20**

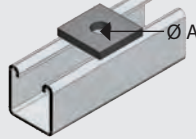


Available Finish	Part Number	Service Guide
Z	E2750Z	A

FASTENERS

FLAT PLATE FITTING (1 HOLE)

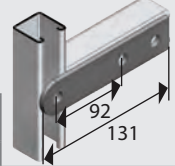
40mm width
Box Qty: **50**



Ø A	Hot Dip Galvanised	Stainless Steel
M8	E1062H A	E1062S B
M10	E1063H A	E1063S A
M12	E1064H A	E1064S A
M16	E1964H A	E1964S C

E2324 FLAT PLATE FITTING

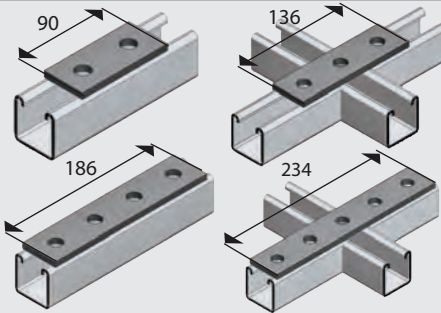
14mm hole diameter



Available Finish	Part Number	Service Guide
H	E2324H	A

STRUT SYSTEMS

FLAT PLATE FITTING (2-5 HOLES)

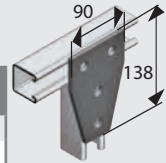


40mm width and 14mm hole diameter.
20.5mm hole spacing from the end
(47.5mm on centres).

Length (mm)	Box Qty	Hot Dip Galvanised	Stainless Steel
90	30	E1065H A	E1065S B
136	20	E1066H A	E1066S B
186	20	E1067H A	E1067S B
234	10	E1941H A	E1941S C

E1358 FLAT PLATE FITTING

14mm hole diameter
Box Qty: **10**

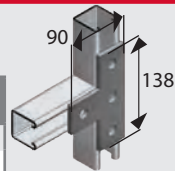


Available Finish	Part Number	Service Guide
H	E1358H	A
S	E1358S	C

CABLE SUPPORTS

E1031 FLAT PLATE FITTING

14mm hole diameter
Box Qty: **10**

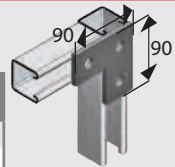


Available Finish	Part Number	Service Guide
H	E1031H	A
S	E1031S	B

FIRERATED

E1036 FLAT PLATE FITTING

14mm hole diameter
Box Qty: **20**



Available Finish	Part Number	Service Guide
H	E1036H	A
S	E1036S	B

PIPE SUPPORTS