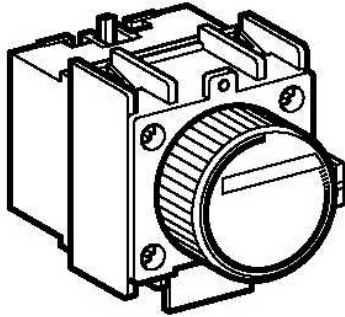


LADR2

TeSys D - time delay auxiliary contact block - 1 NO + 1 NC - screw clamp terminals



Main

Commercial Status	Commercialised
Range of product	TeSys D TeSys D control relay TeSys F
Product or component type	Time delay auxiliary contact block
Pole contact composition	1 NO + 1 NC
Connections - terminals	Screw clamp terminals 2 cable 1...2.5 mm ² - cable stiffness: solid - without cable end Screw clamp terminals 2 cable 1...2.5 mm ² - cable stiffness: solid - with cable end Screw clamp terminals 2 cable 1...2.5 mm ² - cable stiffness: flexible - without cable end Screw clamp terminals 2 cable 1...2.5 mm ² - cable stiffness: flexible - with cable end Screw clamp terminals 1 cable 1...2.5 mm ² - cable stiffness: solid - without cable end Screw clamp terminals 1 cable 1...2.5 mm ² - cable stiffness: solid - with cable end Screw clamp terminals 1 cable 1...2.5 mm ² - cable stiffness: flexible - without cable end Screw clamp terminals 1 cable 1...2.5 mm ² - cable stiffness: flexible - with cable end

Complementary

Mounting location	Front
[Ui] rated insulation voltage	600 V - certifications CSA 690 V - conforming to IEC 60947-5-1 600 V - certifications UL
[Ue] rated operational voltage	690 V AC 25...400 Hz
[Ith] conventional free air thermal current	10 A at ≤ 60 °C
Irms rated making capacity	250 A at ≤ 690 V DC conforming to IEC 60947-5-1 140 A at ≤ 690 V AC conforming to IEC 60947-5-1
Permissible short-time rating	140 A at -5...60 °C 100 ms 120 A at -5...60 °C 500 ms 100 A at -5...60 °C 1 s
Protection type	GG fuse ≤ 10 A rating according to operational current for Ue ≤ 690 V
Associated fuse rating	IEC 60947-5-1
Mechanical durability	5 Mcycles
Minimum switching current	5 mA
Minimum switching voltage	17 V
Non-overlap time	1.5 ms on energisation (no overlap between NC and NO contact) 1.5 ms on de-energisation (no overlap between NC and NO contact)
Timer type	Off delay
Time delay range	0.1...30 s
Insulation resistance	> 10 MOhm
Product weight	0.060 kg

The information provided in this documentation contains general descriptions and/or technical characteristics of the performance of the products contained herein. This documentation is not intended as a substitute for and is not to be used for determining suitability or reliability of these products for specific user applications. It is the duty of any such user or integrator to perform the appropriate and complete risk analysis, evaluation and testing of the products with respect to the relevant specific application or use thereof. Neither Schneider Electric Industries SAS nor any of its affiliates or subsidiaries shall be responsible or liable for misuse of the information contained herein.

Environment

Environmental characteristic	Normal environment
Standards	BS 4794 EN 60947-5-1 IEC 60947-5-1 NF C 63-140 VDE 0660
Product certifications	CSA UL
IP degree of protection	IP2x conforming to VDE 0106
Protective treatment	TH conforming to IEC 60068
Ambient air temperature for operation	-5...60 °C
Ambient air temperature for storage	-60...80 °C
Operating altitude	3000 m without derating in temperature