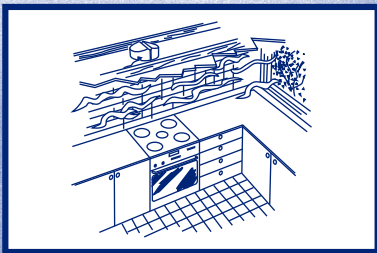


You canna toppa

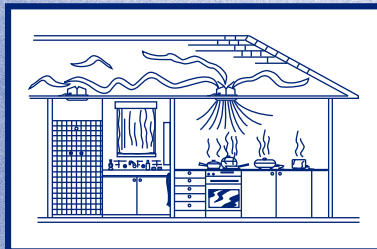
Draftstoppa!



Prevents heating & cooling from escaping through exhaust fan openings, saving money on electricity & gas bills.



Allows normal operation of exhaust fan.



Prevents polluted air or cooking smells from entering into other parts of the home or workplace.

When it comes to reducing the cost of heating and cooling, it's hard to top a Draftstoppa. The Draftstoppa is a great new product from AIRFLOW that increases the efficiency of air-conditioning or heaters by preventing air from escaping through exhaust fan openings. Likewise it prevents cool or warm air entering from the roof cavity into the room below.

The Draftstoppa features cleverly designed gravity shutters that remain closed while the fan is not in use to prevent air from entering and escaping via the roof cavity. They also prevent foul air such as pollution or cooking smells from entering into parts of the home or workplace. When the fan is operating the shutters will open, allowing fumes and steam to escape.

The AIRFLOW Draftstoppa is inexpensive and ideal for homes and commercial premises where these problems exist, from kitchens to manufacturing plants. It easily adapts to most existing ceiling exhaust fans and offers easy and fast installation.

Backdraft shutter that adapts easily to most exhaust fans.

Installation Instructions

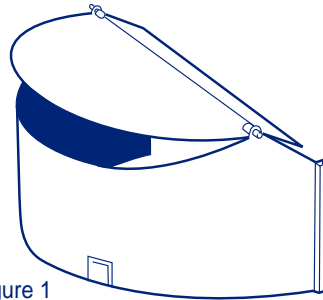
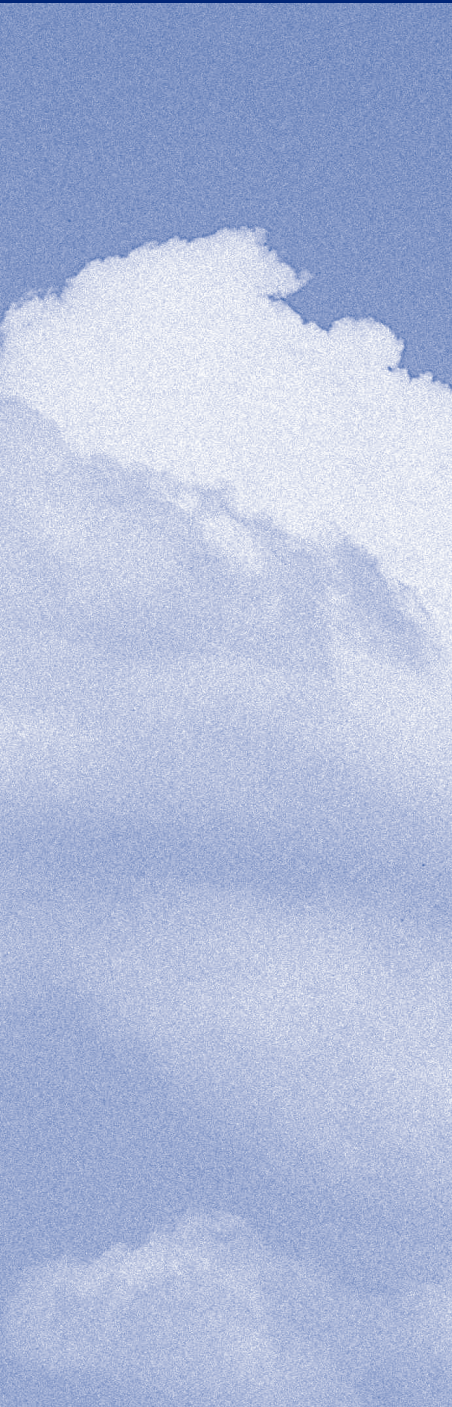


Figure 1

STEP 1

Fit lids to body as follows:
Insert pin of lid into closed hole of
body then push opposite pin
through open slot.
(Figure 1)

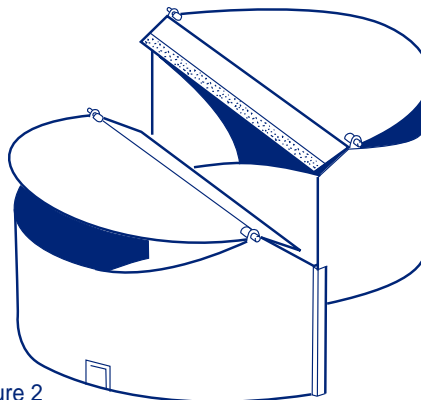
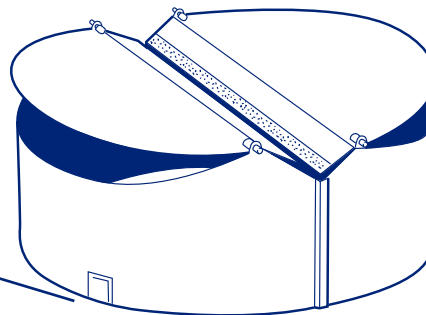


Figure 2

STEP 2

Place one assembled body on a
flat surface and slide other body
into corresponding slot.
(Figure 2)



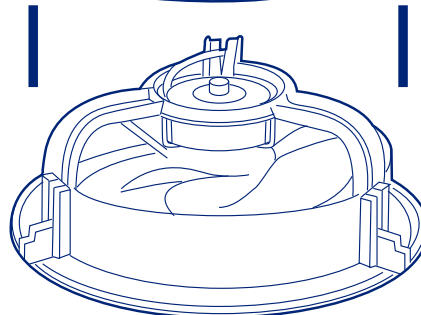
Cut-out hole.

STEP 3

Slide down until click is heard.

STEP 4

Place fan lead in cut-out hole.



STEP 5

Take assembled unit into ceiling
space and place unit over the top
of the exhaust fan.

NOTE: Exhaust fan not included.



Product of Gerard Industries Pty Ltd
ABN 27 007 873 529
Head Office
12 Park Terrace, Bowden
South Australia 5007
Telephone (08) 8269 0511
Facsimile (08) 8340 1724
Email plugin@clipsal.com.au