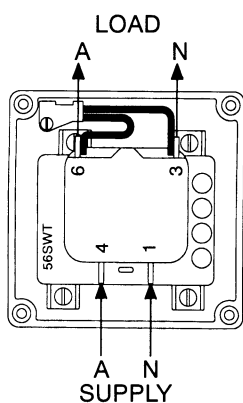




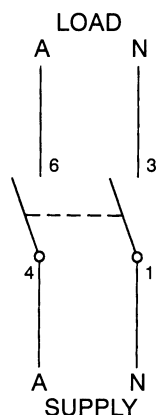
56SWT216 Wiring Diagram

16A, 250V, Double Pole, IP56

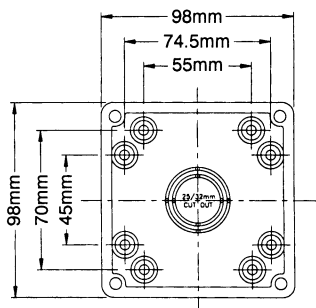
Two Hour Process Timer Switch with 'Power On' Neon



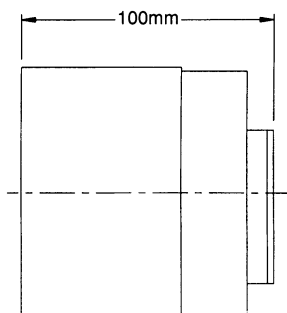
BACK VIEW



SCHEMATIC DIAGRAM OF
PROCESS TIMER



MOUNTING LOCATIONS
(VIEW INSIDE ENCLOSURE)



OVERALL HEIGHT

NOTE: MINIMUM CABLE SIZE TO BE USED IS 2.5mm²