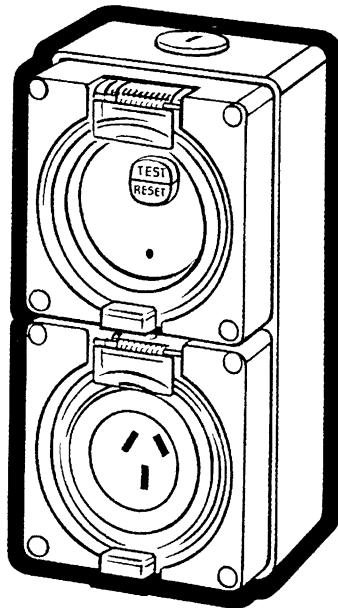


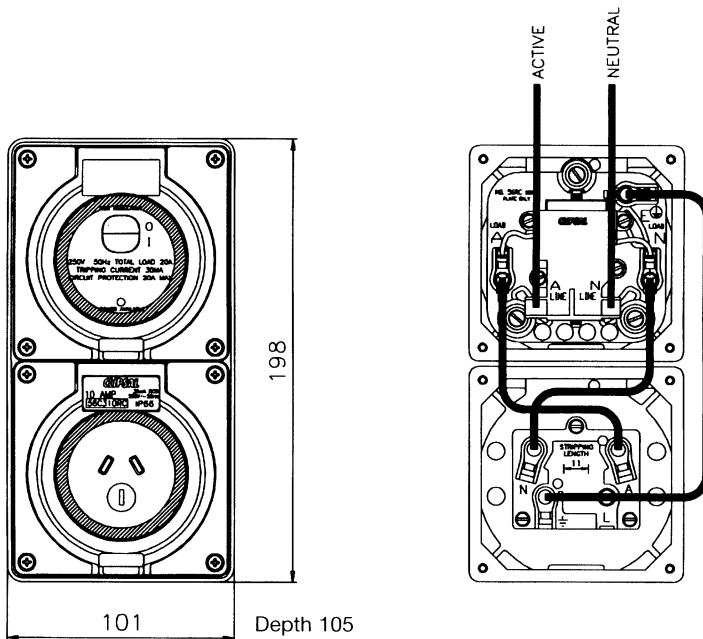
Combination R.C.D. and Socket Outlet.

Installation and Operating Instructions

56C3RC Series**

3 pin, 250V, 10A and 15A, IP66.





INSTALLATION

Please note: This product is to be installed in accordance with AS3000 Wiring Rules.

1. Check all terminals are tight as they may have loosened during transit.
2. Strip ends of Active & Neutral conductors for a length of 6mm and the earth conductor for a length of 10mm.
3. Connect incoming cables to RCD unit as per diagram above.
4. Connect incoming earth conductor to the earth terminal provided.
5. Fit socket outlet and RCD cover into position on the enclosure ensuring the bridge is correctly fitted in place.
6. Tighten all cover screws.
7. Ensure all cable entries are suitable sealed to maintain the IP66 rating of this product.
8. Connect power to the 56C3**RC Unit.
9. Press the RESET button on the RCD, the 'POWER ON' indicator should illuminate.
10. Test the function of the RCD by pressing the TEST button. The RCD should switch to the OFF position and the POWER ON indicator should be extinguished if functioning correctly.
11. A Problem Action Guide has been included with this product for assistance with rectifying any problems you may have with the RCD.

WARNING

The RCD module in this product has been designed to operate at no more than 4 reset and test cycles per minute.

Do not exceed these limits.