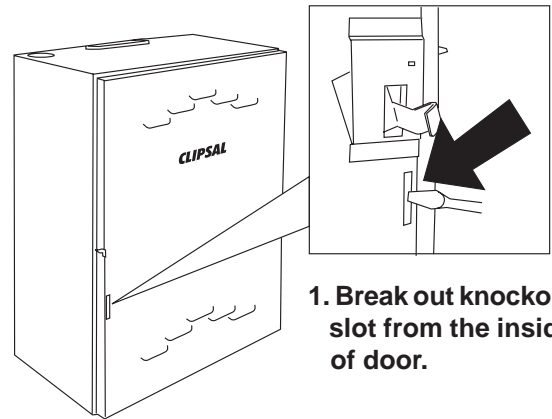
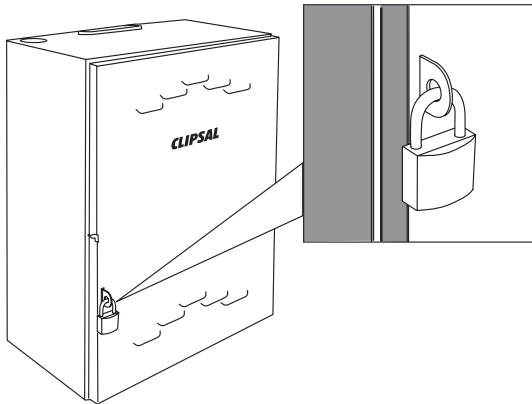


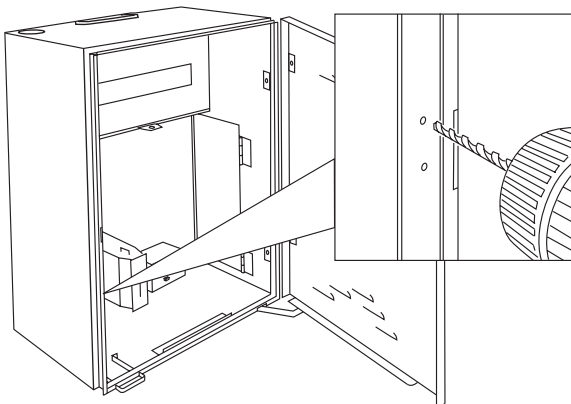
Padlock, Temporary Mounting and Security Panel Installation Instructions

230LKV, 230PBV & 230DRAWSEC

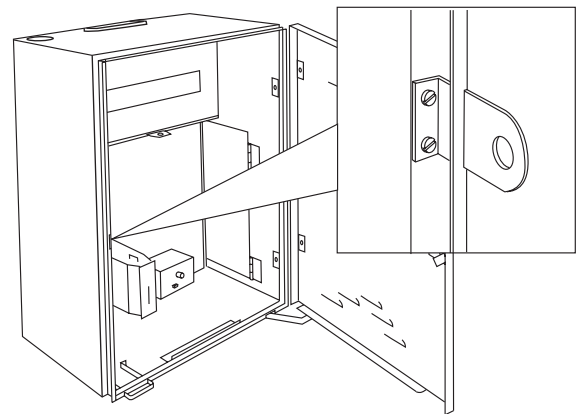
PADLOCK INSTALLATION 230LKV



1. Break out knockout slot from the inside of door.

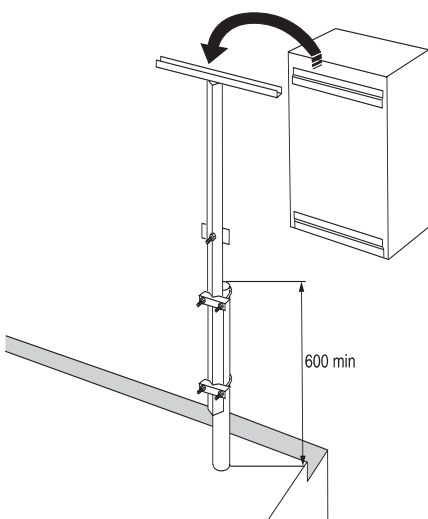


2. Drill holes at position indicated on frame.

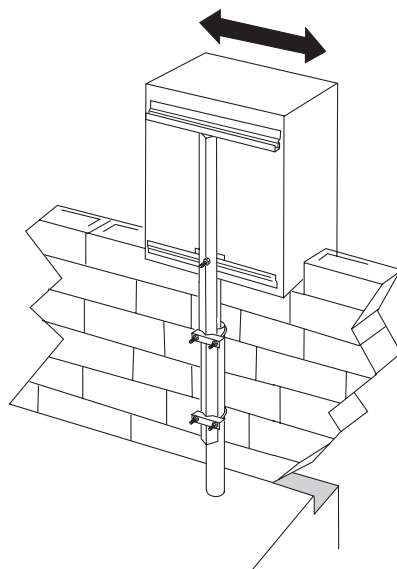


3. Bolt bracket to body and close door.

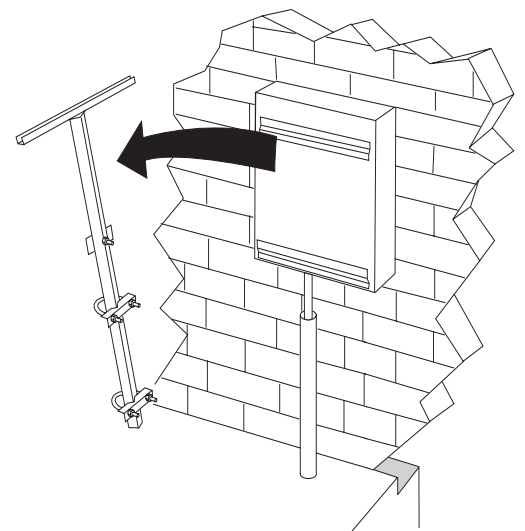
TEMPORARY MOUNTING 230PBV



Lift enclosure onto bracket and fix into place. Tighten clamp securely.

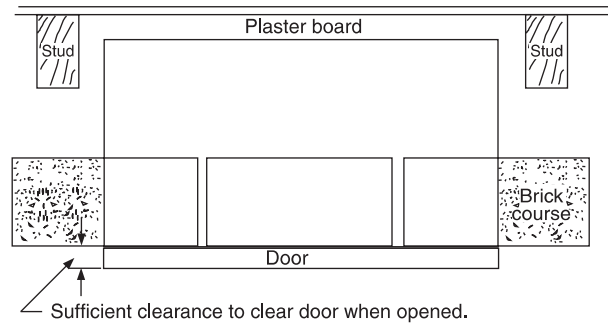


Slide enclosure sideways to suit brick course.

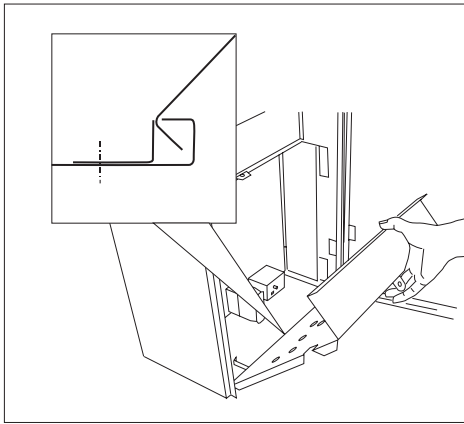


Remove U-clamps and brackets.

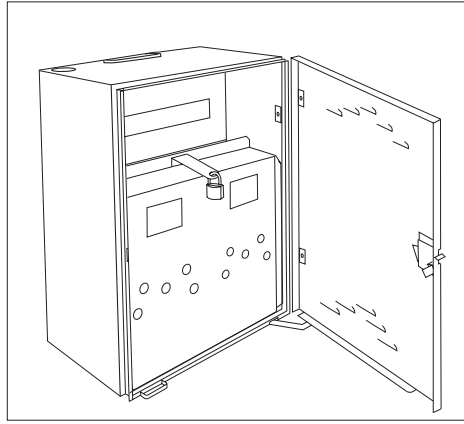
BOX MOUNTING



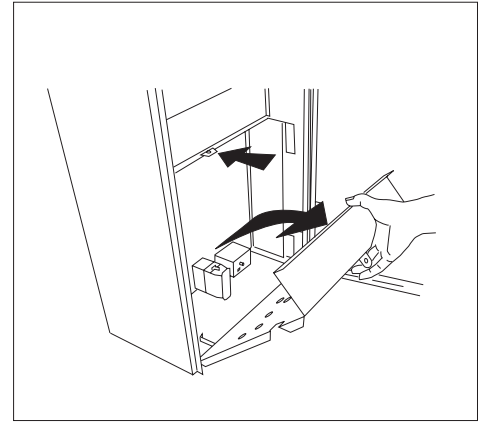
SECURITY PANEL 230DRAWSEC



1. Locate bottom of security panel between inside front of box and bracket, then hinge into position.

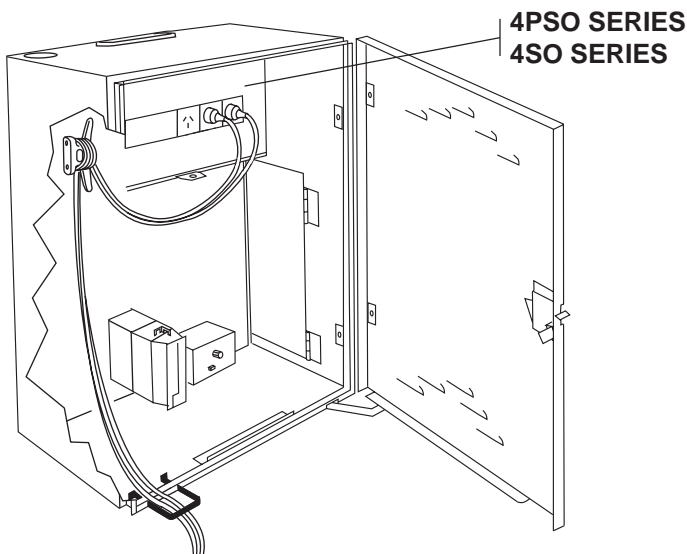


2. Padlock security panel in place.

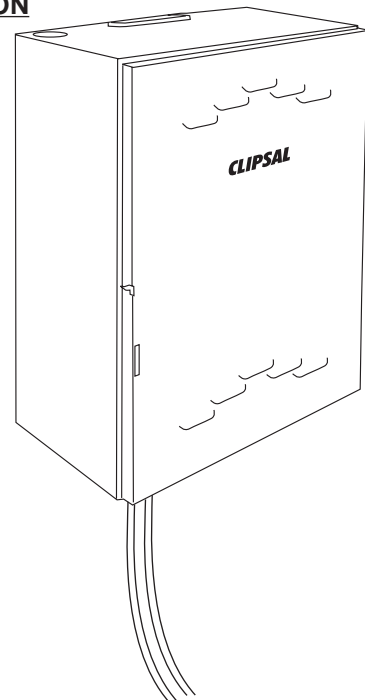


3. After installation commissioned, remove security panel from installation and push slider back.

AS 3012 COMPLIANT TIE BAR AND EXTENSION LEAD ENTRY INSTALLATION



1. Pass leads through bottom cable protection opening and tie off before plugging into socket outlet.



2. Ensure door is closed after installation.

Gerard Industries Pty Ltd
 ABN 27 007 873 529
Head Office 12 Park Terrace,
 Bowden, South Australia 5007
 Telephone (08) 8269 0511
 Facsimile (08) 8340 1724
 Internet clipsal.com
 E-Mail plugin@clipsal.com.au

State Offices and Distribution Centres

SA Adelaide	(08) 8269 0555
WA Perth	(09) 9442 4444
VIC Melbourne	(03) 9207 3200
Country areas	1800 653 893
NT Darwin	(08) 8947 0278
TAS Launceston	(03) 6343 5900
Hobart	(03) 6272 3177

Sydney	(02) 9794 9200
Albury	(02) 6041 2377
QLD Brisbane	(07) 3244 7444
Townsville	(07) 4729 3333

International Enquires
Head Office Export Department
 Telephone + 61 8 8269 0587
 Facsimile + 61 8 8340 7350 • E-Mail export@clipsal.com.au

Clipsal Industries
New Zealand
(NZ) Ltd (Auckland)
 Telephone (09) 576 3403
 Facsimile (09) 576 1015
 E-Mail headoffice@clipsal.co.nz

Customer Service
 Free Fax (0508) 250 305
 Auckland/Mobile Phone
 (09) 572 0014
 Free Ph (0508) CLIPSAL
 2 5 4 7 7 2 5