



CLIPSAL[®]

by Schneider Electric

IP66 Weatherproof Switches

2031V66, 2031H66, 2032V66, 2032H66
C2031V66, C2031H66, C2032V66, C2032H66

SERIES
2000

CLASSIC
C2000



Installation Instructions

Product Range

2031V66	One gang vertical IP66 weatherproof switch (2000 Series)
2031H66	One gang horizontal IP66 weatherproof switch (2000 Series)
2032V66	Two gang vertical IP66 weatherproof switch (2000 Series)
2032H66	Two gang horizontal IP66 weatherproof switch (2000 Series)
C2031V66	One gang vertical IP66 weatherproof switch (Classic C2000)
C2031H66	One gang horizontal IP66 weatherproof switch (Classic C2000)
C2032V66	Two gang vertical IP66 weatherproof switch (Classic C2000)
C2032H66	Two gang horizontal IP66 weatherproof switch (Classic C2000)

Important:

Clipsal IP66 rated flush switches have been designed to achieve IP66 on a **smooth, flat, non porous surface** from the front of the switch only. No provision has been made to prevent water and dust entering from behind the switch. Please take this into consideration when choosing a suitable location for mounting the switch. Care should be taken when mounting to ensure that water and dust cannot bypass the perimeter gasket and come into contact with live parts.

Mounting Instructions

1. Ensure that the mounting surface is completely flat, smooth and non porous. Porous surfaces may allow moisture to travel past the perimeter gasket and come into contact with live parts. All mounting accessories should be mounted below the wall surface so as not to interfere with the sealing of the perimeter gasket.
2. Connect cables to the switch mechanism as required.
3. Make sure the main gasket seal is located in its correct position. Place 'O' - rings (supplied) over the mounting screws and screw down into position (see Figure 2). Do not over-tighten.
4. Check that the perimeter gasket correctly aligns around gridplate, and reposition if necessary. If mounting the switch using the corner mounting holes, remove the circular bungs from the main gasket and place them into the standard mounting holes (84mm centres). This will prevent water from entering this area (Figure 1).
5. Clip on 2000 Series surround or C2000 cover plate.

Figure 1

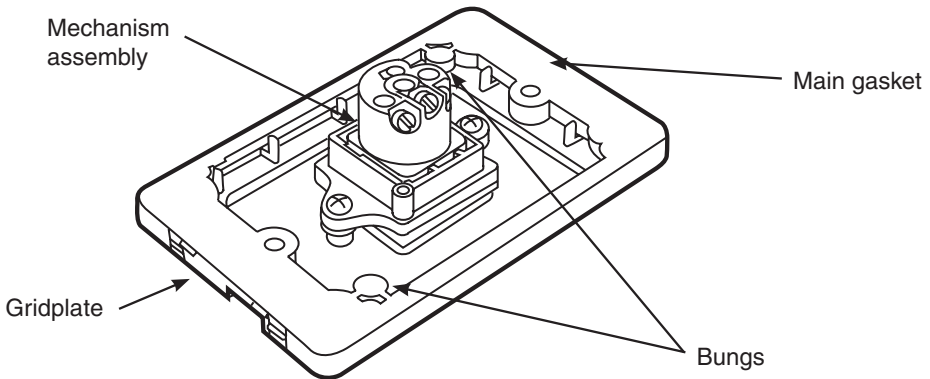
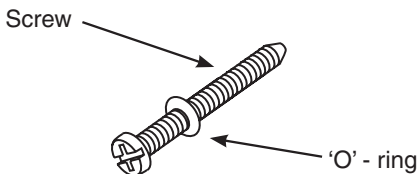


Figure 2



Clipsal Australia Pty Ltd

A member of Schneider Electric

Contact us: clipsal.com/feedback

National Customer Care Enquiries:

Tel 1300 2025 25

Fax 1300 2025 56

clipsal.com

Clipsal Australia Pty Ltd reserves the right to change specifications, modify designs and discontinue items without incurring obligation and whilst every effort is made to ensure that descriptions, specifications and other information in this catalogue are correct, no warranty is given in respect thereof and the company shall not be liable for any error therein.

© Clipsal Australia Pty Ltd. The identified trademarks and copyrights are the property of Clipsal Australia Pty Ltd unless otherwise noted.