

CLIPSAL[®]

by **Schneider Electric**



Lifesaver[®]
Power
Outlet
2025RC
Series



Installation Instructions

Table of Contents

1.0 Product Range	3
2.0 Description	3
3.0 Important Warnings	3
4.0 Installation Instructions.....	4
5.0 Operating and Testing	5
6.0 Troubleshooting Guide.....	6
7.0 Technical Specifications	7
8.0 Warranty	8

Copyright Notice

The concepts, products and designs described in this document are the subject of international patents, and protected by international law.

Copyright 2009 Clipsal Australia Pty Ltd. All rights reserved.

Trademarks

- Clipsal is a registered trademark of Clipsal Australia Pty Ltd.
- Clipsal Lifesaver is a registered trademark of Clipsal Australia Pty Ltd.

All other logos and trademarks are the property of their respective owners.

Disclaimer

Clipsal Australia Pty Ltd reserves the right to change specifications or designs described in this manual without notice and without obligation.

1.0 Product Range

30mA RCD Protection - Professional Range

2025RC	RCD Protected Twin Switched Socket Outlet, 2000 Series 250V a.c., 50Hz, 10A, RCD 20A Total Load, 30mA Tripping Current.
C2025RC	RCD Protected Twin Switched Socket Outlet, Classic Series 250V a.c., 50Hz, 10A, RCD 20A Total Load, 30mA Tripping Current.

10mA RCD Protection - Medical Grade

2025RC10	RCD Protected Twin Switched Socket Outlet, 2000 Series 250V a.c., 50Hz, 10A, RCD 20A Total Load, 10mA Tripping Current.
2025RC10C	RCD Protected Twin Switched Socket Outlet, 2000 Series 250V a.c., 50Hz, 10A, RCD 20A Total Load, 10mA Tripping Current, CLEANING PURPOSES ONLY (available in Beige Only).
C2025RC10	RCD Protected Twin Switched Socket Outlet, Classic Series 250V a.c., 50Hz, 10A, RCD 20A Total Load, 10mA Tripping Current.
ML2025RC10	Medilec RCD Protected Twin Switched Socket Outlet, Classic Series 250V a.c., 50Hz, 10A, RCD 20A Total Load, 10mA Tripping Current.
ML2025VRC10	Medilec RCD Protected Twin Switched Socket Outlet, Classic Series 250V a.c., 50Hz, 10A, RCD 20A Total Load, 10mA Tripping Current.

2.0 Description

The Clipsal 2025RC Series RCD Protected Socket Outlet features twin switched socket outlets and incorporates a powerful Residual Current Device (RCD) - an electronic sensing device specifically designed to protect both people and property from damage or injury in case of an electrical fault.

The RCD constantly monitors the balance of current flow in Active and Neutral conductors of an electrical installation. Should an electrical fault develop, or if the user should come into contact with live parts, the unit will detect the imbalance and automatically cut the electrical supply, virtually eliminating the risk of electrocution from such faults.

The Clipsal 2025RC Series RCD Protected Socket Outlet is capable of protecting any device hard-wired directly to the LOAD terminals, any socket outlet connected 'downstream' of the LOAD terminals and any appliance plugged into a 'downstream' socket outlet.

3.0 Important Warnings

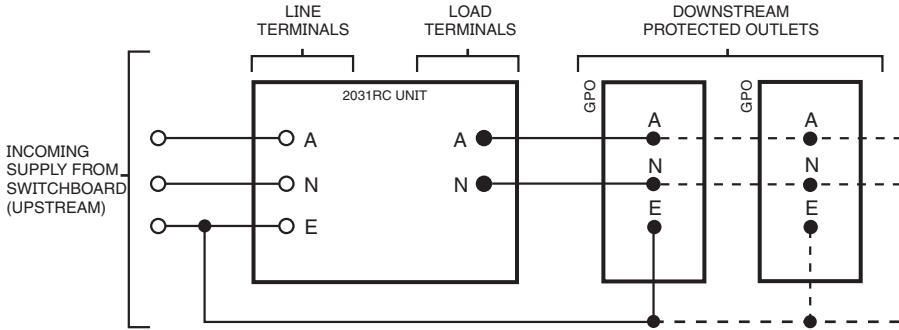
When installing and operating the Clipsal Lifesaver® Safety Switch, the following must be observed and complied with:

1. The unit must be installed correctly by a qualified electrician and in accordance with the detailed instructions in this manual.
2. The unit must be tested and reset at least once a month.
3. The unit must never exceed 4 test and reset operations per minute.
4. The protection device must not be tampered with or repaired by anyone other than the manufacturer.
5. The unit must not have LINE conductors connected to the LOAD terminals.
6. If the unit is installed in a ring circuit, only LINE terminals are to be wired.
7. This product should not be seen as a replacement for safe electrical practices.

NOTE: The Clipsal Lifesaver® Safety Switch will only protect individuals from Active to Earth contact which is the largest cause of electrocution. It will not protect against Active to Neutral faults.

4.0 Installation Instructions

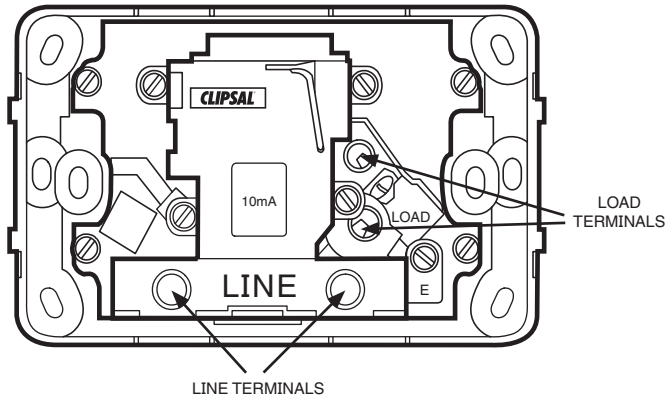
Figure 1. Wiring Diagram



WARNING:

DO NOT connect incoming supply cables to the LOAD terminals, damage to the RCD will result.

Figure 2. Terminal Configuration



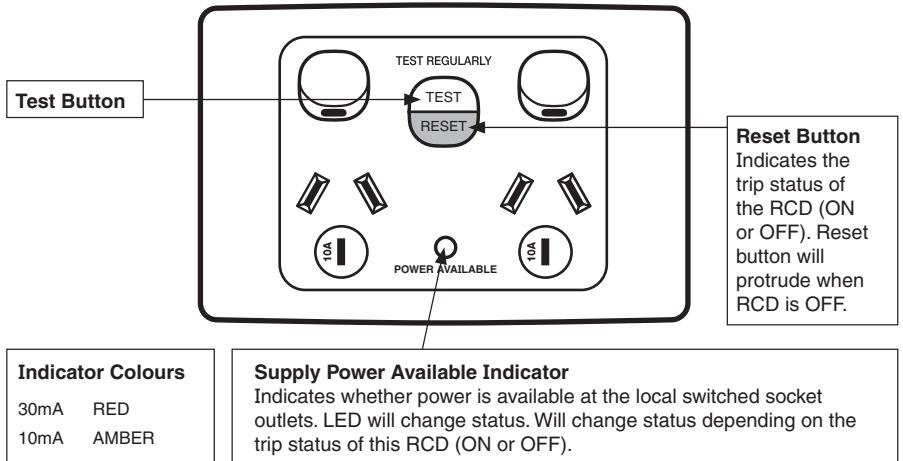
IMPORTANT NOTES:

1. LINE terminals MUST be wired with incoming supply wires.
2. LOAD terminals MUST NOT be wired with incoming supply wires. Such wiring will DESTROY the unit and VOID the product warranty.
3. If there are 2 or more sets of cable and Earth leakage protection is required in downstream circuits, Active and Neutral supply cables MUST be separated from other Active(s) and Neutral(s) by testing the circuit with a meter or test lamp.
4. When the Clipsal Lifesaver® Safety Switch is installed at the beginning of a circuit and wired correctly, all downstream outlets will be Safety Switch (RCD) protected.
5. Upstream outlets will NOT be protected by this Safety Switch (RCD).
6. The Safety Switch (RCD) incorporates a double pole 20 amp isolating switch.
7. The Safety Switch (RCD) protects against Earth leakage faults, but will not protect from overload. Fuses or circuit breakers must be installed at the switchboard for affected circuits and must be 20 amp maximum rating.

THIS PRODUCT WILL REMAIN UNAFFECTED BY LOSS OF UPSTREAM POWER SUPPLY.

5.0 Operating and Testing

Example Illustration:
2025RC



Resetting the Unit

1. Firmly push the RESET button.
2. The 'POWER AVAILABLE' LED indicator will light up and the RESET button will remain at the same height as the TEST button.

NOTE:

When the indicator is illuminated, further operation of the RESET button will have no effect.

Testing the Unit

1. Firmly push the TEST button.
2. The 'POWER AVAILABLE' LED indicator will go out and the RESET button will protrude further than the TEST button.

IMPORTANT NOTES:

1. When the unit is tested, it checks the operation of the Clipsal Lifesaver® Safety Switch by introducing an actual leakage signal into the detection mechanism.
2. When all indicators are illuminated, further operation of the RESET button will have no effect.
3. When any indicators are extinguished (black), further operation of the TEST button will have no effect.
4. The Clipsal Lifesaver® Safety Switch is a safety device and should be tested at least once a month.
5. The Clipsal Lifesaver® Safety Switch has been designed to operate at no more than 4 reset and 4 test cycles per minute. Do not exceed these limits.
6. Should there be no response to the RESET procedure, DO NOT USE connected devices. Consult the Troubleshooting Guide or seek advice from a qualified electrician.

6.0 Troubleshooting Guide

PROBLEM	LED	BUTTON POSITION	REASON	ACTION
1. Clipsal Lifesaver® Power Outlet will not reset.	OFF	RESET is in level position.	No power to Clipsal Lifesaver® Power Outlet.	<ol style="list-style-type: none"> 1. Check supply fuse/circuit breaker. 2. Check incoming power supply to Clipsal Lifesaver® Power Outlet.
2. Clipsal Lifesaver® Power Outlet resets then immediately trips out (power available LED gives a quick flash).	Flashes ON then OFF	RESET is level then flashes to protruded position.	Faulty appliance plugged into Clipsal Lifesaver® Power Outlet or protected circuit.	<ol style="list-style-type: none"> 1. Disconnect all appliances on protected circuit. 2. Reset Clipsal Lifesaver® Power Outlet then test each appliance individually using the Power Outlet until the faulty appliance is discovered. 3. Faulty appliances should be checked by a qualified person.
3. Clipsal Lifesaver® Power Outlet resets then some time later trips out.	ON then OFF	RESET is level then sets to protruded position.	Faulty appliances with a slow leakage build up plugged into Clipsal Lifesaver® Power Outlet, protected circuit or cumulative leakage from several appliances combining to exceed rating of outlet.	<ol style="list-style-type: none"> 1. Determine time taken for Clipsal Lifesaver® Power Outlet to cut out. 2. Disconnect all appliances on protected circuit. 3. Reset Clipsal Lifesaver® Power Outlet then test each appliance individually using the Power Outlet for the duration of cut out time until the faulty appliance is discovered. 4. Faulty appliance should be checked by a qualified person using Clipsal 489D Clamp Meter.
4. Clipsal Lifesaver® Power Outlet will not trip out when 'TEST' button is pushed.	OFF	RESET is in level position.	No power to Clipsal Lifesaver® Power Outlet.	<ol style="list-style-type: none"> 1. Check supply fuse/circuit breaker. 2. Check incoming power supply to Clipsal Lifesaver® Power Outlet.
5. Clipsal Lifesaver® Power Outlet will not trip out when 'TEST' button is pushed.	ON	RESET is in level position.	Clipsal Lifesaver® Power Outlet is faulty. Neutral to Earth fault upstream.	<ol style="list-style-type: none"> 1. Have electrical contractor check wiring. 2. Have Clipsal Lifesaver® Power Outlet checked by a qualified person and if faulty, return to manufacturer.

GENERAL NOTES REGARDING PROBLEMS:

1. The following appliances may occasionally cause problem No. 3: water heaters, electric jugs and kettles, steam irons, dishwashers, swimming pool equipment, auto defrost refrigerators and freezers). These items may also cause the Clipsal Lifesaver® Safety Switch to 'trip out' initially, due to the presence of moisture.
2. If problem No. 4 occurs, the number of appliances operating from the Clipsal Lifesaver® Safety Switch and protected circuit may exceed 20A in total loading and will, after a period of time, blow the fuse or 'trip out' the circuit breaker. It is therefore necessary to determine the total current being drawn by the appliances. If exceeding 20A, appliances must be disconnected until the total current is less than 20A.
3. **IMPORTANT:** The Clipsal Lifesaver® Safety Switch, when first installed, may result in numerous faulty appliances 'tripping out' the unit. These initial situations should be rectified once the faulty appliances have been located and repaired.

NOTE: Unplug equipment to achieve isolation before any inspection or repair of faulty appliances is attempted. Clipsal's Lifesaver® is designed and manufactured to help protect human life, whether in a home, commercial or industrial situation. If a faulty appliance is discovered when using the unit, DO NOT use it in an unprotected outlet under any circumstances. The faulty appliance MUST be fixed by a qualified person before it is used again.

WARNING: Electricity can be dangerous - the use of this product cannot be regarded as a substitute for basic electrical safety precautions. In the interests of safety this unit should be installed by a licensed electrician or warranty will become void.

7.0 Technical Specifications

Parameter	2025RC Series	2025RC10 Series
Socket Outlet Specifications		
Nominal Operating Voltage	250V a.c.	
Nominal Operating Frequency	50 Hz	
Socket Outlet Maximum Load	10A per outlet 10A total load	
Socket Switching Type	Single pole	
RCD Specifications		
RCD Type	Type II	Type I
RCD Contact Type	Double pole	
Maximum Load	20A	
Maximum Tripping Current	30mA	10mA
Typical Trip Time	30ms	
RCD Capability	a.c. and pulsating d.c. protection	
Circuit Protection Required	Inc 3kA circuit protection by MCB or HRC fuse, 20A Max	
General Specifications		
Operating Temperature Range	-10 to 40°C	
Operating Humidity Range	10 to 90% R.H.	
Mounting Centres	84mm Australian pattern plate	
Compliant Standards	<p>AS/NZS 3100: Approval and test specification - general requirements for electrical equipment.</p> <p>AS/NZS 3112: Approval and test specification - plugs and socket outlets.</p> <p>AS/NZS 3190: Approval and test specification - residual current devices (current operated Earth leakage devices).</p> <p>AS/NZS 3003: Electrical installations - patient areas of hospitals, medical and dental practices and dialyzing locations.</p> <p>This device complies with the requirements of AS/NZS 3175 Clause 9.21, Type A residual current devices.</p>	
EMC Emission Compliance	AS/NZS CISPR 15:2002	
Specifications typical @ 25°C ± 5°C		
No user serviceable parts inside.		

8.0 Warranty Statement

1. The benefits conferred herein are in addition to, and in no way shall be deemed to derogate, either expressly or by implication, any or all other rights and remedies in respect to the Clipsal product, which the consumer has under the Commonwealth Trade Practices Act or any other similar State or Territory Laws.
2. The warrantor is Clipsal Australia Pty Ltd. With registered offices in all Australian States.
3. This Clipsal product is guaranteed against faulty workmanship and materials for a period of two (2) years from the date of installation.
4. Clipsal Australia Pty Ltd reserves the right, at its discretion, to either repair (free of parts and labour charges), replace or offer a refund, in respect to any article found to be faulty due to materials, parts or workmanship.
5. This warranty is expressly subject to the Clipsal product being installed, wired, tested, operated and used in accordance with the manufacturer's instructions.
6. All costs of a claim shall be met by Clipsal Australia Pty Ltd, however should the product that is the subject of the claim be found in good working order, all such costs shall be met by the claimant.
7. When making a claim the consumer shall forward the Clipsal product to the nearest office of Clipsal Australia Pty Ltd with adequate particulars of the defect within 28 days of the fault occurring. The product should be returned securely packed, complete with details of the date and place of purchase, description of load, and circumstances of malfunction.



Clipsal and Moduline - a winning combination!

Moduline is the company behind the Medilec brand. Offering an extensive range of premium electrical products to suit hospital and other medical applications, the Medilec team includes some of Australia's leading designers and manufacturers of hospital grade electrical safety equipment. The range includes high quality residual current devices that provide high levels of protection against electric shock and electrocution.

Clipsal and Moduline have now teamed up to provide the best hospital electrical solutions available on the Australian market. Backed by Clipsal, and with more than 80 years combined experience it is easy to see why a team like Moduline and Medilec are clear market leaders in providing innovative hospital electrical solutions.

Please contact Moduline for all your Medilec electrical solutions needs on 1300 196 565 or visit moduline.com.au



Product of Clipsal Australia Pty Ltd

A member of Schneider Electric

Contact us: clipsal.com/feedback

National Customer Care Enquiries:

Tel 1300 2025 25

Fax 1300 2025 56

clipsal.com

Clipsal Australia Pty Ltd reserves the right to change specifications, modify designs and discontinue items without incurring obligation and whilst every effort is made to ensure that descriptions, specifications and other information in this catalogue are correct, no warranty is given in respect thereof and the company shall not be liable for any error therein.

© Clipsal Australia Pty Ltd. The identified trademarks and copyrights are the property of Clipsal Australia Pty Ltd unless otherwise noted.