

Locknuts, Earth Tags & Shrouds

Locknuts

Nickel Silver Plated Brass Metric Locknuts

Our metal glands do not include locknuts as standard.

LNM12	Brass locknut 12mm
LNM16	Brass locknut 16mm
LNM20	Brass locknut 20mm
LNM25	Brass locknut 25mm
LNM32	Brass locknut 32mm
LNM40	Brass locknut 40mm
LNM50	Brass locknut 50mm
LNM63	Brass locknut 63mm



PG Locknuts, Brass and Nylon

PG glands, nylon and brass do not include locknuts.

Nylon

LNN9PG	Nylon locknut for GN9PG
LNN11PG	Nylon locknut for GN11PG
LNN13.5PG	Nylon locknut for GN13.5PG
LNN16PG	Nylon locknut for GN16PG
LNN21PG	Nylon locknut for GN21PG



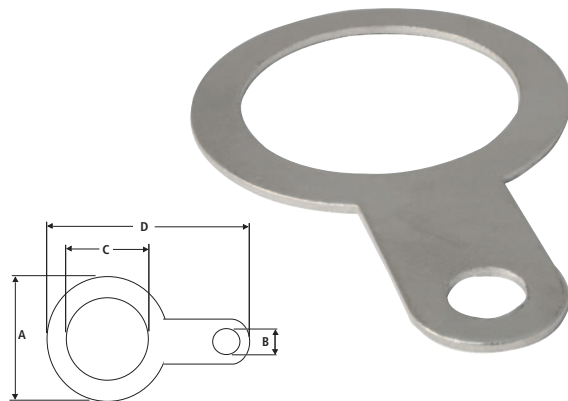
Brass

LNM9PG	Brass locknut for GU9PG
LNM11PG	Brass locknut for GU11PG
LNM13.5PG	Brass locknut for GU13.5PG
LNM16PG	Brass locknut for GU16PG
LNM21PG	Brass locknut for GU21PG

Earth Tags

Earth tags are used to earth metal glands. They are made of brass and have a tag hole to which the earth conductor can be attached.

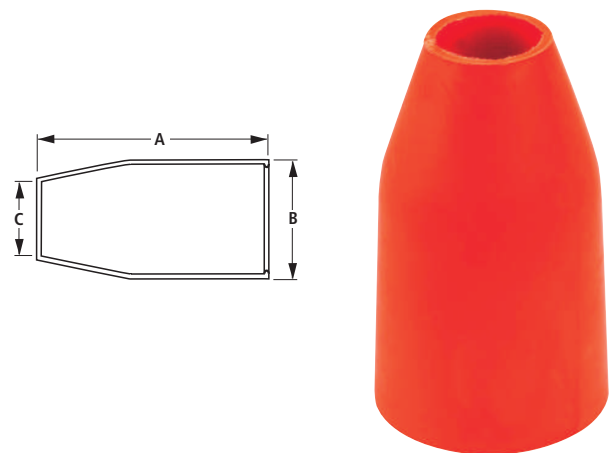
Catalogue No.	Dimensions (mm)				Thickness
	A	B	C	D	
ET16	27	7	16	50	1.2
ET20	29	7	20	50	1.2
ET25	36	7	26	61	1.2
ET32	44	7	32	70	1.2
ET40	52	7	40	84	1.2
ET50	64	7	51	94	1.4
ET63	78	7	64	109	1.4



PVC Glands Shroud

CABAC's shrouds are made from a unique "stretchy" PVC material so that they have a large range taking capability. They are coloured orange, and are halogen free, low smoke, and flame retardant.

Catalogue No.	Dimensions (mm)			Carton Quantity
	Length Diameter	Gland Diameter	C Cable	
SH1	70	23	7	50
SH2	65	29	14	40
SH3	75	39	16	20
SH4	85	48	25	20
SH5	95	56	30	5
SH6	110	70	31	5
SH7	125	75	33	5



Note: Because of stretch capability dimensions should be regarded as minimum.