

COPPER 'C' CONNECTORS

The Copper 'C' Connector range is specifically designed for applications requiring corrosion resistant and high current jointing or tapping of buried copper earthing grids, or to earth rods. The range is dimensionally identical to the normally accepted dimensions in the Australian market. The crimp dies for the 'C' Connectors are individually packed in plastic bags. The connectors are supplied pre-loaded with jointing compound if essential. The 'C' Connector range is installed with 12 or 13 ton hydraulic crimping tools with a long throat and stroke e.g. HT131LN-C or B1350L-CT.

CAEC RANGE - TAP OFF 'C' CONNECTORS

These Tap Off Style 'C' Connectors are specifically designed to take a tap off 1.5 to 120mm² from a run or join 13 to 15mm diameter earth rod. The resultant joint is tamper proof and highly corrosion resistant, and can be directly buried.

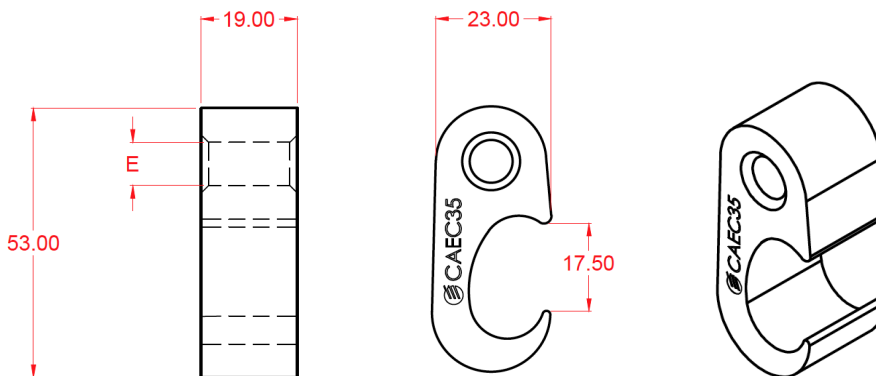


SPECIFICATIONS

Part No.	Conductor/Earth Rod Range Conductor mm ² or Earth Rod Diameter mm	Tap Off (mm ²)	Dimensions (mm)		Tooling	Crimp Die	No. of Crimps				
			E								
CAEC1.5	50 to 120mm ² conductor	1.5	2.00		HT13-1-C, HT131-UC, B131-C	RHC131, RHU131-C	ECW-H3D	MSS-C120-42-18V	HT-CAEC	1	
CAEC2.5		2.5	2.50						HT-CAEC	1	
CAEC4		4	3.00						HT-CAEC	1	
CAEC6		6	3.50						HT-CAEC	1	
CAEC10		10	4.50						HT-CAEC	1	
CAEC16		16	5.50						HT-CAEC	1	
CAEC25		25	7.50						HT-CAEC	1	
CAEC35		13, 14 or 15mm diameter earth rod	35	8.50					HT-CAEC	1	
CAEC50		50	9.50						HT-CAEC	1	
CAEC70		70	11.50						HT-CAEC	1	
CAEC95	95	13.50		HT-CAEC	1						
CAEC120	120	15.20		HT-CAEC	1						



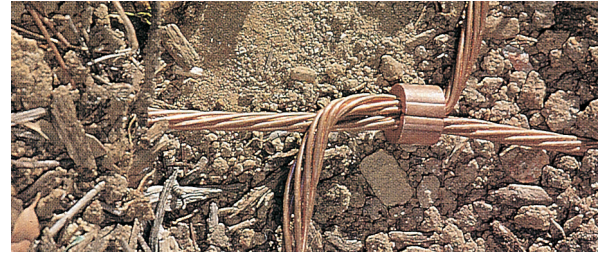
LINE DRAWINGS



In support of our policy of continuous product improvement we reserve the right to change materials and specifications without notice. Drawings, where used, are not to scale. All dimensions are in millimetres and sizes given are approximate. Where possible, technical MSDS data sheets are made available on the website. All products should be installed and used in accordance with manufacturer's instructions provided. Warning: products may be the subject of registered designs and patents. Refer to website for terms and conditions on warranty.

'C' CONNECTORS

The CACD and CACE range of 'C'-connectors are suitable for buried joining and tapping applications. The smaller 'C' Connectors are used to connect 16, 25, & 35 sq. mm conductors in earth distribution systems, while the larger connectors are primarily used to connect earth grids. Specific dies are required and these are interchangeable with Burndy dies. CACD and CACE conforms to IEEE 837.



TECHNICAL DATA

Conductive Material

Copper: 99.95% pure
Tensile Strength: 200 MPa
Ducting Rating: 40%

Operating Temperature

-55°C to 155°C

General Electrical Properties

Total Conductivity: 99.7% IACS
Total Resistivity 1.738 micro-ohm cm

Dimensional Specification

Tooling is interchangeable between CABAC and Burndy.

Accepting Authorities

Rail Authorities, Power Utilities, major Telecommunication Companies etc.

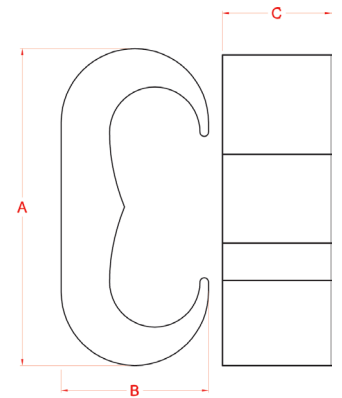
Conformant Standards

International Standard
(Heat Cycling Test) IEEE 837 2003 & 2014



WIDE JAW CONNECTORS

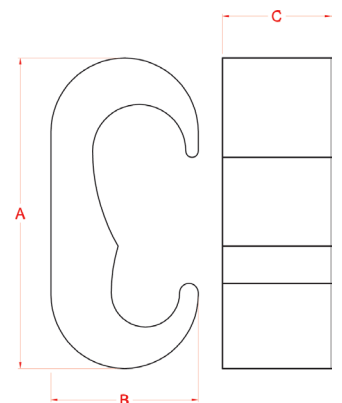
Part No.	Conductor Range mm ² Run or Tap		Dimensions (mm)			Crimp Die 5 Tonne	Crimp Die 13 Tonne 'C'	No. of Crimps
	Min	Max	A	B	C			
CACD35	10	35	30.0	14.3	19.0	MC35-50	HT130-CC	1
CACD70	35	70	39.0	19.0	19.0		HT130-CO	1
CACD120	95	120	52.0	24.0	22.0		HT130-C997	2
CACD240	150	240	74.0	34.4	28.0		HT130-C1011	3



Wide Jaw C-Connector CACD

MULTIFIT CONNECTORS

Part No.	Conductor Range mm ² Run				Dimensions (mm)			Crimp Die 13 Tonne 'C'	No. of Crimps
	Run		Tap		A	B	C		
	Min	Max	Min	Max					
CACE35/70	35	70	10	35	36.0	18.3	19.0	HT130-C0	1
CACE70/120	95	120	10	70	50.0	23.2	19.0	HT130-C997	1
CACE70/240	150	240	10	70	62.0	30.9	22.0	HT130-C1011	2
CACE120/240	150	240	95	120	68.0	33.9	28.0	HT130-C1011	3



Multifit C-Connector CACE

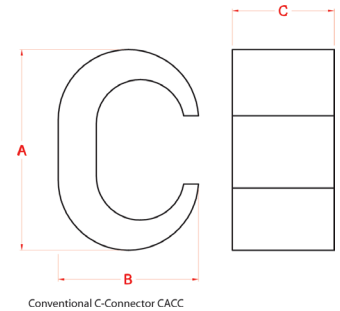
In support of our policy of continuous product improvement we reserve the right to change materials and specifications without notice. Drawings, where used, are not to scale. All dimensions are in millimetres and sizes given are approximate. Where possible, technical MSDS data sheets are made available on the website. All products should be installed and used in accordance with manufacturer's instructions provided. Warning: products may be the subject of registered designs and patents. Refer to website for terms and conditions on warranty.

'C' CONNECTORS

CONVENTIONAL CONNECTORS

The CACC style of 'C' Connectors are suitable for earth bonding applications and in some cases may be buried. Manufactured from pure copper, the range has specific dies for crimping.

Part No.	Conductor Range mm ² Run or Tap		Dimensions (mm)			Crimp Die 5 Tonne	Crimp Die 13 Tonne 'C'	No. of Crimps
	Min	Max	A	B	C			
CACC25	16	25	21.4	13.0	17.0	MC25-50	MC25-C	1
CACC35	35	35	26.6	15.6	21.0	MC35-50	MC35-C	1
CACC70	50	70	34.0	21.0	28.0		MC70-C	1
CACC95	70	95	41.0	26.0	29.0		MC95-C	1
CACC120	110	125	45.0	28.0	30.0		MC185-C	1



Conventional C-Connector CACC

In support of our policy of continuous product improvement we reserve the right to change materials and specifications without notice. Drawings, where used, are not to scale. All dimensions are in millimetres and sizes given are approximate. Where possible, technical MSDS data sheets are made available on the website. All products should be installed and used in accordance with manufacturer's instructions provided. Warning: products may be the subject of registered designs and patents. Refer to website for terms and conditions on warranty.