

OM type ballasts

- Compact size
- Varnish impregnation and short heat paths
- Long service life
- Very low noise level
- Glass-fibre filled nylon coil end covers
- Winding insulation Class H materials
- Nomex fixed air gap ensuring permanent calibration
- Integral terminals
- tw130 winding temperature rating
- Resistant to moisture and corrosion

100% final testing

- continuity
- winding short circuit
- insulation
- impedance



Figure 1

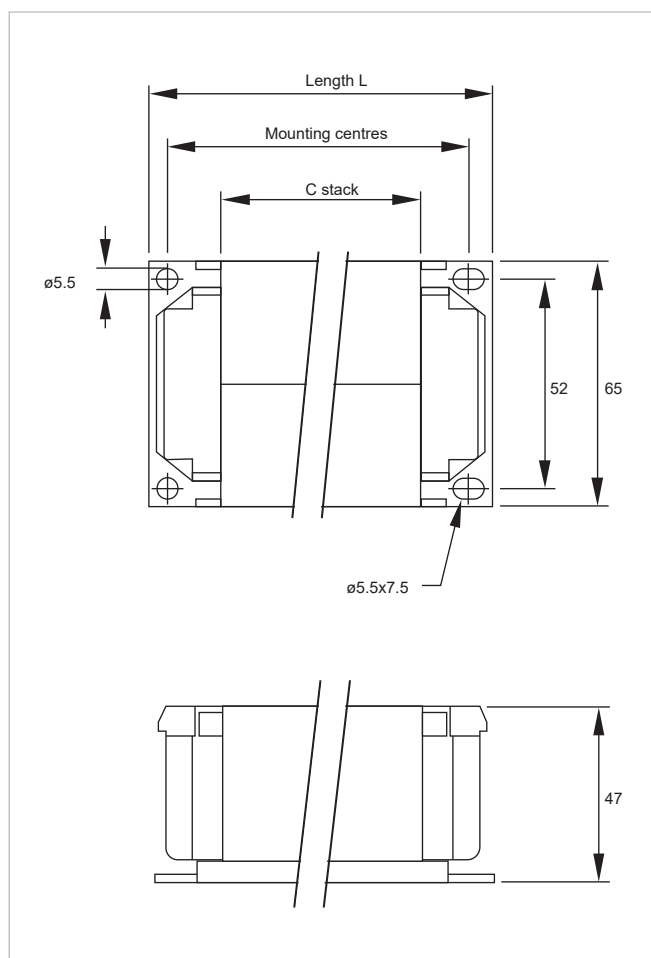
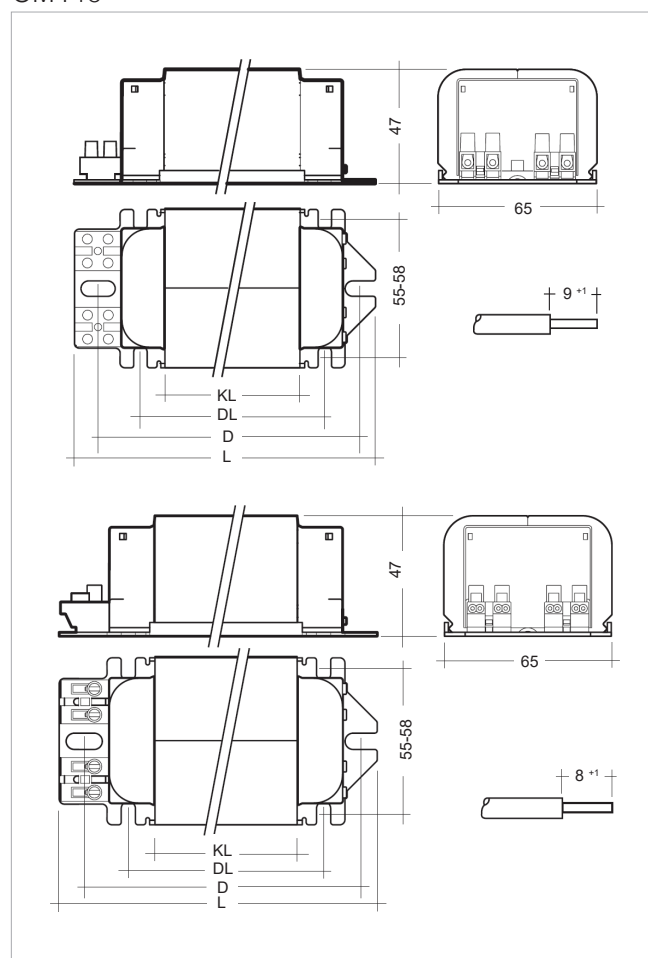


Figure 2
OM Pro



220 V 50 Hz – OM ballasts

Lamp			Ballast		Electrical								Thermal	Physical			
wattage	voltage	current	type	article number	loss hot	input power	lamp current	lamp start current	circuit P F	line current	line start current	capacitor	Δt	stack	length	mtg centres	weight
W	V	A			W	W	A	A	cos φ	A@0.9PF	A@0.9PF	μF@0.9PF		mm	mm	mm	kg
High-pressure mercury vapour																	
40	90	0.53	OMB40-01		8.0	48.0	0.53	0.66	0.41	0.24	0.32	6	65	30	65	51	0.8
50	95	0.61	OMB50-04		8.5	58.5	0.61	0.80	0.44	0.30	0.41	7	60	30	65	51	0.8
80	115	0.80	OMB80-06	89001036	9.0	89.0	0.80	1.10	0.51	0.45	0.65	8	65	35	70	56	1.0
80	115	0.80	OMB80-11		13.0	93.0	0.80	1.15	0.53	0.47	0.71	7	70	30	70	56	0.9
100	130	0.85	OMB100-01		8.5	108.5	0.85	1.35	0.58	0.55	0.91	7	45	55	90	76	1.3
100	130	0.85	OMB100-03		11.5	111.5	0.85	1.50	0.60	0.56	1.04	7	65	40	90	76	1.2
100	115	1.00	OMB100A-06		11.5	111.5	1.00	1.36	0.51	0.56	0.80	9	65	55	90	76	1.3
125	125	1.15	OMB125-06	89000981	11.5	136.5	1.15	1.66	0.54	0.69	1.04	10	55	55	90	76	1.3
125	125	1.15	OMB125-10		14.5	139.5	1.15	1.91	0.55	0.70	1.23	10	70	40	90	76	1.2
175	130	1.50	OMB175-01		14.5	189.5	1.50	2.48	0.57	0.96	1.66	12	65	75	110	96	1.7
175	130	1.50	OMB175-09		17.5	192.5	1.50	2.56	0.58	0.97	1.74	12	70	55	110	96	1.6
250	130	2.13	OMB250-02		19.5	269.5	2.13	3.25	0.58	1.36	2.18	18	65	105	140	126	2.4
250	130	2.13	OMB250-04		21.0	271.0	2.13	3.50	0.58	1.37	2.36	18	70	85	140	126	2.1
250	130	2.13	OMB250-06		22.0	272.0	2.13	3.60	0.58	1.37	2.44	18	75	75	140	126	1.8
400	135	3.25	OMB400-01		31.0	431.0	3.25	5.64	0.60	2.18	3.97	25	75	120	180	166	2.9
Metal-halide																	
35	85	0.53	OMS35-01	89001137	8.0	43.0	0.53	0.65	0.37	0.22	0.28	6	55	30	65	51	0.8
35	85	0.53	OMS35-03 (TH) ¹		8.0	43.0	0.53	0.65	0.37	0.22	0.28	6	55	30	65	51	0.8
50	95	0.61	OMB50-04		8.5	58.5	0.61	0.80	0.44	0.30	0.41	7	60	30	65	51	0.8
70	90	1.00	OMS70A-04		13.0	83.0	1.00	1.16	0.38	0.42	0.51	11	60	55	90	76	1.3
70	90	1.00	OMS70A-08 (TH) ¹		13.0	83.0	1.00	1.16	0.38	0.42	0.51	11	60	55	90	76	1.3
70	90	1.00	OMS70A-16	89001172	15.0	85.0	1.00	1.29	0.39	0.43	0.58	11	65	40	90	76	1.2
70	90	1.00	OMS70A-20 (TH) ¹		15.0	85.0	1.00	1.29	0.39	0.43	0.58	11	65	40	90	76	1.2
100	100	1.10	OMH100-03 (TH) ¹	89001058	13.0	113.0	1.10	1.45	0.47	0.57	0.79	11	65	65	100	86	1.5
100	100	1.10	OMH100-06		16.0	116.0	1.10	1.50	0.48	0.59	0.84	11	70	55	100	86	1.4
150	100	1.80	OMS150-26 ²	89001109	18.5	168.5	1.80	2.30	0.43	0.85	1.14	20	55	105	155	141	2.5
150	100	1.80	OMS150-08	89001100	20.0	170.0	1.80	2.32	0.43	0.86	1.16	20	65	85	140	126	2.1
150	100	1.80	OMS150-10 (TH) ¹	89001102	20.0	170.0	1.80	2.32	0.43	0.86	1.16	20	65	85	140	126	2.1
150	100	1.80	OMS150-27	89001110	22.0	172.0	1.80	2.35	0.43	0.87	1.19	18	70	75	140	126	1.8
175	130	1.50	OMB175-01		14.5	189.5	1.50	2.48	0.57	0.96	1.66	12	65	75	110	96	1.7
175	130	1.50	OMB175-09		17.5	192.5	1.50	2.56	0.58	0.97	1.74	12	70	55	110	96	1.6
250	130	2.13	OMB250-02		19.5	269.5	2.13	3.25	0.58	1.36	2.18	18	65	105	140	126	2.4
250	130	2.13	OMB250-04		21.0	271.0	2.13	3.50	0.58	1.37	2.36	18	70	85	140	126	2.1
250	130	2.13	OMB250-06		22.0	272.0	2.13	3.60	0.58	1.37	2.44	18	75	75	140	126	1.8
250	100	3.00	OMS250-01	89001132	35.0	285.0	2.95	3.67	0.44	1.44	1.88	30	75	120	180	166	2.9
400	135	3.25	OMB400-01		31.0	431.0	3.25	5.64	0.60	2.18	3.97	25	75	120	180	166	2.9
High-pressure sodium																	
35	85	0.53	OMS35-01	89001137	8.0	43.0	0.53	0.65	0.37	0.22	0.28	6	55	30	65	51	0.8
35	85	0.53	OMS35-03 (TH) ¹		8.0	43.0	0.53	0.65	0.37	0.22	0.28	6	55	30	65	51	0.8
50	85	0.76	OMS50-02		10.5	60.5	0.76	0.90	0.36	0.31	0.38	9	65	40	75	61	1.1
70	90	0.95	OMS70-03		11.5	81.5	0.94	1.16	0.39	0.41	0.53	10	60	55	90	76	1.4
70	90	1.00	OMS70A-04		13.0	83.0	1.00	1.16	0.38	0.42	0.51	11	60	55	90	76	1.3
70	90	1.00	OMS70A-08 (TH) ¹		13.0	83.0	1.00	1.16	0.38	0.42	0.51	11	60	55	90	76	1.3
70	90	1.00	OMS70A-16	89001172	15.0	85.0	1.00	1.29	0.39	0.43	0.58	11	65	40	90	76	1.2
70	90	1.00	OMS70A-20 (TH) ¹		15.0	85.0	1.00	1.29	0.39	0.43	0.58	11	65	40	90	76	1.2
100	100	1.20	OMS100-01	89001078	13.5	113.5	1.20	1.50	0.43	0.57	0.75	13	70	65	100	86	1.5
150	100	1.80	OMS150-26 ²	89001109	18.5	168.5	1.80	2.30	0.43	0.85	1.14	20	55	105	155	141	2.5
150	100	1.80	OMS150-08	89001100	20.0	170.0	1.80	2.32	0.43	0.86	1.16	20	65	85	140	126	2.1
150	100	1.80	OMS150-10 (TH) ¹	89001102	20.0	170.0	1.80	2.32	0.43	0.86	1.16	20	65	85	140	126	2.1
150	100	1.80	OMS150-27	89001110	22.0	172.0	1.80	2.35	0.43	0.87	1.19	18	70	75	140	126	1.8
150	100	1.80	OMS150/100		20.0	170.0	1.80	2.30	0.43	0.86	1.15	20	55	105	155	141	2.5
250	100	3.00	OMS250-01	89001132	35.0	285.0	2.95	3.67	0.44	1.44	1.88	30	75	120	180	166	2.9

Notes

- Ballasts have built-in thermal cutout devices specifically for short-arc metal-halide lamps.
- With multiple voltage tappings
Ballasts for other wattage ratings available on request.

220 V 60 Hz – OM ballasts

Lamp			Ballast		Electrical								Thermal	Physical			
wattage	voltage	current	type	article number	loss hot	input power	lamp current	lamp start current	circuit P F	line current	line start current	capacitor	Δt	stack	length	mtg centres	weight
W	V	A			W	W	A	A	cos φ	A@0.9PF	A@0.9PF	μF0.9PF		mm	mm	mm	kg
High-pressure mercury vapour																	
40	90	0.53	OMB40-02		8.0	48.0	0.53	0.65	0.41	0.24	0.31	5	65	30	65	51	0.8
50	95	0.61	OMB50-05		8.0	58.0	0.61	0.84	0.43	0.29	0.42	6	60	30	65	51	0.8
80	115	0.80	OMB80-07		8.5	88.5	0.80	1.30	0.50	0.45	0.76	6	65	30	65	51	0.8
100	130	0.85	OMB100-02		9.0	109.0	0.85	1.50	0.58	0.55	1.02	6	65	40	75	61	1.1
100	115	1.00	OMB100A-05		10.0	110.0	1.00	1.60	0.50	0.56	0.93	8	65	40	75	61	1.1
125	125	1.15	OMB125-08		10.0	135.0	1.15	1.80	0.53	0.68	1.12	9	65	55	90	76	1.3
125	125	1.15	OMB125-16		13.0	138.0	1.15	1.90	0.55	0.70	1.21	8	70	35	90	76	1.1
175	130	1.50	OMB175-03	89000993	13.5	188.5	1.50	2.35	0.57	0.95	1.57	10	65	75	110	96	1.7
250	130	2.13	OMB250-09		16.5	266.5	2.13	3.15	0.57	1.35	2.09	15	60	105	140	126	2.4
250	130	2.13	OMB250-05		18.0	268.0	2.13	3.20	0.57	1.35	2.14	15	65	85	140	126	2.1
250	130	2.13	OMB250-10	89001014	19.5	269.5	2.13	3.25	0.58	1.36	2.18	15	70	75	140	126	1.8
400	135	3.25	OMB400-02		26.0	426.0	3.25	5.00	0.60	2.15	3.48	25	65	120	180	166	2.9
400	135	3.25	OMB400-03		27.5	427.5	3.25	5.30	0.60	2.16	3.70	25	70	105	180	166	2.5
Metal-halide																	
35	85	0.53	OMS35-08	89002543	8.0	43.0	0.53	0.65	0.37	0.22	0.28	5	55	30	65	51	0.8
35	85	0.53	OMS35-05 (TH) ¹	89001141	8.0	43.0	0.53	0.65	0.37	0.22	0.28	5	55	30	65	51	0.8
50	95	0.61	OMB50-05		8.0	58.0	0.61	0.84	0.43	0.29	0.42	6	60	30	65	51	0.8
70	90	1.00	OMS70A-01		11.5	81.5	1.00	1.30	0.37	0.41	0.56	9	60	40	75	61	1.1
70	90	1.00	OMS70A-09 (TH) ¹	89001167	11.5	81.5	1.00	1.30	0.37	0.41	0.56	9	60	40	75	61	1.1
70	90	1.00	OMS70A-32		13.0	83.0	1.00	1.45	0.38	0.42	0.64	9	70	35	75	61	1.1
100	100	1.10	OMH100-04		14.0	114.0	1.10	1.46	0.47	0.58	0.80	9	70	45	90	76	1.3
100	100	1.10	OMH100-12 (TH) ¹	89001065	14.0	114.0	1.10	1.46	0.47	0.58	0.80	9	70	45	90	76	1.3
150	100	1.80	OMS150-02		18.5	168.5	1.80	2.26	0.43	0.85	1.12	16	65	75	120	106	1.8
150	100	1.80	OMS150-09 (TH) ¹	89001101	18.5	168.5	1.80	2.26	0.43	0.85	1.12	16	65	75	120	106	1.8
150	100	1.80	OMS150-32		20.5	170.5	1.80	2.26	0.43	0.86	1.14	16	70	65	120	106	1.6
175	130	1.50	OMB175-03	89000993	13.5	188.5	1.50	2.35	0.57	0.95	1.57	10	65	75	110	96	1.7
250	130	2.13	OMB250-09		16.5	266.5	2.13	3.15	0.57	1.35	2.09	15	60	105	140	126	2.4
250	130	2.13	OMB250-05		18.0	268.0	2.13	3.20	0.57	1.35	2.14	15	65	85	140	126	2.1
250	130	2.13	OMB250-10	89001014	19.5	269.5	2.13	3.25	0.58	1.36	2.18	15	70	75	140	126	1.8
250	100	3.00	OMS250-02		31.0	281.0	2.95	3.70	0.43	1.42	1.87	25	80	105	180	166	2.5
250	100	3.00	OMS250		31.0	281.0	2.95	3.70	0.43	1.42	1.87	25	80	105	155	141	2.4
400	135	3.25	OMB400-02		26.0	426.0	3.25	5.00	0.60	2.15	3.48	25	65	120	180	166	2.9
400	135	3.25	OMB400-03		27.5	427.5	3.25	5.30	0.60	2.16	3.70	25	70	105	180	166	2.5
High-pressure sodium																	
35	85	0.53	OMS35-08	89002543	8.0	43.0	0.53	0.65	0.37	0.22	0.28	5	55	30	65	51	0.8
35	85	0.53	OMS35-05 (TH) ¹	89001141	8.0	43.0	0.53	0.65	0.37	0.22	0.28	5	55	30	65	51	0.8
50	85	0.76	OMS50-04		10.0	60.0	0.76	0.92	0.36	0.30	0.39	7	60	35	70	56	1.0
70	90	0.95	OMS70-04		10.5	80.5	0.94	1.16	0.39	0.41	0.53	9	60	40	75	61	1.1
70	90	1.00	OMS70A-01		11.5	81.5	1.00	1.30	0.37	0.41	0.56	9	60	40	75	61	1.1
70	90	1.00	OMS70A-09 (TH) ¹	89001167	11.5	81.5	1.00	1.30	0.37	0.41	0.56	9	60	40	75	61	1.1
70	90	1.00	OMS70A-32		13.0	83.0	1.00	1.45	0.38	0.42	0.64	9	70	35	75	61	1.1
70	90	1.00	OMS70A/50 ²		12.3	82.3	1.00	1.30	0.37	0.42	0.57	9	65	40	75	61	1.1
100	100	1.20	OMS100-05		12.5	112.5	1.20	1.50	0.43	0.57	0.75	11	60	55	90	76	1.3
150	100	1.80	OMS150-02		18.5	168.5	1.80	2.26	0.43	0.85	1.12	16	65	75	120	106	1.8
150	100	1.80	OMS150-09 (TH) ¹	89001101	18.5	168.5	1.80	2.26	0.43	0.85	1.12	16	65	75	120	106	1.8
150	100	1.80	OMS150-32		20.5	170.5	1.80	2.26	0.43	0.86	1.14	16	70	65	120	106	1.6
250	100	3.00	OMS250-02		31.0	281.0	2.95	3.70	0.43	1.42	1.87	25	80	105	180	166	2.5
250	100	3.00	OMS250		31.0	281.0	2.95	3.70	0.43	1.42	1.87	25	80	105	155	141	2.4

Notes

- Ballasts have built-in thermal cutout devices specifically for short-arc metal-halide lamps.
- With power tappings
Ballasts for other wattage ratings available on request.

230 V 50 Hz – OM ballasts

Lamp			Ballast		Electrical								Thermal	Physical				
wattage	voltage	current	type	article number	loss hot W	input power W	lamp current A	lamp start current A	circuit P F cos φ	line current A@0.9PF	line start current A@0.9PF	capacitor μF@0.9PF	Δt	stack mm	length mm	mtg centres mm	weight kg	
W	V	A			W	W	A	A		A@0.9PF	A@0.9PF	μF@0.9PF	Δt	mm	mm	mm	kg	
High-pressure mercury vapour																		
50	95	0.61	OMB50-01		9.0	59.0	0.61	0.78	0.42	0.29	0.38	6	65	30	65	51	0.8	
80	115	0.80	OMB80-05		9.5	89.5	0.80	1.20	0.49	0.43	0.68	8	65	40	75	61	1.1	
80	115	0.80	OMB80-08		13.0	93.0	0.80	1.25	0.51	0.45	0.74	7	70	30	75	61	0.9	
125	125	1.15	OMB125-03		12.0	137.0	1.15	1.66	0.52	0.66	1.00	10	60	55	90	76	1.4	
125	125	1.15	OMB125-09		14.5	139.5	1.15	1.92	0.53	0.67	1.18	10	65	45	90	76	1.3	
175	130	1.50	OMB175-02		15.0	190.0	1.50	2.34	0.55	0.92	1.50	12	65	85	120	106	2.0	
250	130	2.13	OMB250-15		19.5	269.5	2.13	3.15	0.55	1.30	2.02	18	65	105	140	126	2.4	
250	130	2.13	OMB250-07		23.0	273.0	2.13	3.60	0.56	1.32	2.34	18	70	85	140	126	2.1	
Metal-halide																		
35	85	0.53	OMS35-02 (TH) ¹		9.0	44.0	0.53	0.64	0.36	0.21	0.27	6	60	30	65	51	0.8	
50	95	0.61	OMB50-01		9.0	59.0	0.61	0.78	0.42	0.29	0.38	6	65	30	65	51	0.8	
70	90	1.00	OMS70A-15		13.5	83.5	1.00	1.11	0.36	0.40	0.47	11	65	65	100	86	1.5	
70	90	1.00	OMS70A-11 (TH) ¹		13.5	83.5	1.00	1.11	0.36	0.40	0.47	11	65	65	100	86	1.5	
70	90	1.00	OMS70A-23	89001179	15.5	85.5	1.00	1.25	0.37	0.41	0.54	11	65	45	100	86	1.3	
100	100	1.10	OMH100		13.5	113.5	1.10	1.43	0.45	0.55	0.75	11	65	65	100	86	1.5	
100	100	1.10	OMH100-02 (TH) ¹		13.5	113.5	1.10	1.43	0.45	0.55	0.75	11	65	65	100	86	1.5	
150	100	1.80	OMS150-15		19.0	169.0	1.80	2.34	0.41	0.82	1.11	18	50	105	155	141	2.5	
150	100	1.80	OMS150-05 (TH) ¹		21.0	171.0	1.80	2.34	0.41	0.83	1.13	18	60	105	155	141	2.5	
150	100	1.80	OMS150-28		21.5	171.5	1.80	2.39	0.41	0.83	1.16	18	65	85	155	141	2.1	
175	130	1.50	OMB175-02		15.0	190.0	1.50	2.34	0.55	0.92	1.50	12	65	85	120	106	2.0	
250	130	2.13	OMB250-15		19.5	269.5	2.13	3.15	0.55	1.30	2.02	18	65	105	140	126	2.4	
250	130	2.13	OMB250-07		23.0	273.0	2.13	3.60	0.56	1.32	2.34	18	70	85	140	126	2.1	
35	85	0.53	OMS35-02 (TH) ¹		9.0	44.0	0.53	0.64	0.36	0.21	0.27	6	60	30	65	51	0.8	
50	95	0.61	OMB50-01		9.0	59.0	0.61	0.78	0.42	0.29	0.38	6	65	30	65	51	0.8	
70	90	1.00	OMS70A-15		13.5	83.5	1.00	1.11	0.36	0.40	0.47	11	65	65	100	86	1.5	
70	90	1.00	OMS70A-11 (TH) ¹		13.5	83.5	1.00	1.11	0.36	0.40	0.47	11	65	65	100	86	1.5	
70	90	1.00	OMS70A-23		15.5	85.5	1.00	1.25	0.37	0.41	0.54	11	65	45	100	86	1.3	
100	100	1.10	OMH100		13.5	113.5	1.10	1.43	0.45	0.55	0.75	11	65	65	100	86	1.5	
High-pressure sodium																		
35	85	0.53	OMS35-02 (TH) ¹		9.0	44.0	0.53	0.64	0.36	0.21	0.27	6	60	30	65	51	0.8	
50	85	0.76	OMS50-15		10.5	60.5	0.76	0.84	0.35	0.29	0.34	9	65	55	90	76	1.3	
70	90	0.95	OMS70-02		12.0	82.0	0.94	1.14	0.38	0.40	0.50	10	70	55	90	76	1.4	
70	90	1.00	OMS70A-15		13.5	83.5	1.00	1.11	0.36	0.40	0.47	11	65	65	100	86	1.5	
70	90	1.00	OMS70A-11 (TH) ¹		13.5	83.5	1.00	1.11	0.36	0.40	0.47	11	65	65	100	86	1.5	
70	90	1.00	OMS70A-23	89001179	15.5	85.5	1.00	1.25	0.37	0.41	0.54	11	65	45	100	86	1.3	
100	100	1.20	OMS100-04		14.0	114.0	1.20	1.52	0.41	0.55	0.73	12	65	75	110	96	1.7	
150	100	1.80	OMS150-15		19.0	169.0	1.80	2.34	0.41	0.82	1.11	18	50	105	155	141	2.5	
150	100	1.80	OMS150-05 (TH) ¹		21.0	171.0	1.80	2.34	0.41	0.83	1.13	18	60	105	155	141	2.5	
150	100	1.80	OMS150-28		21.5	171.5	1.80	2.39	0.41	0.83	1.16	18	65	85	155	141	2.1	

Notes

- Ballasts have built-in thermal cutout devices specifically for short-arc metal-halide lamps.
Ballasts for other wattage ratings available on request.

240 V 50 Hz – OM ballasts

Lamp			Ballast		Electrical								Thermal	Physical			
wattage	voltage	current	type	article number	loss hot W	input power W	lamp current A	lamp start current A	circuit P F cos φ	line current A@0.9PF	line start current A@0.9PF	capacitor μF@0.9PF	Δt	stack mm	length mm	mtg centres mm	weight kg
W	V	A			W	W	A	A		A	A	μF	°C	mm	mm	mm	kg
High-pressure mercury vapour																	
40	90	0.53	OMB40		8.0	48.0	0.53	0.65	0.38	0.22	0.29	6	65	30	65	51	0.8
50	95	0.61	OMB50	89001024	9.0	59.0	0.61	0.76	0.40	0.27	0.36	6	65	30	65	51	0.8
75	130	0.64	OMB75		9.5	84.5	0.64	0.92	0.55	0.39	0.59	5	65	35	70	56	1.0
80	115	0.80	OMB80	89001030	9.5	89.5	0.80	1.11	0.47	0.41	0.60	7	65	40	75	61	1.1
80	115	0.80	OMB80-00		13.5	93.5	0.80	1.33	0.49	0.43	0.76	7	70	30	75	61	0.9
100	130	0.85	OMB100		10.0	110.0	0.85	1.21	0.54	0.51	0.76	7	60	55	90	76	1.3
100	130	0.85	OMB100-00		13.0	113.0	0.85	1.22	0.55	0.52	0.79	7	65	45	90	76	1.3
100	115	1.00	OMB100A		12.0	112.0	1.00	1.36	0.47	0.52	0.74	9	65	55	90	76	1.3
100	115	1.00	OMB100A-00		15.0	115.0	1.00	1.40	0.48	0.53	0.78	9	70	45	90	76	1.3
125	125	1.15	OMB125	89000974	12.0	137.0	1.15	1.66	0.50	0.63	0.96	10	60	65	100	86	1.5
125	125	1.15	OMB125-00	89000976	15.5	140.5	1.15	1.90	0.51	0.65	1.13	10	65	45	100	86	1.3
175	130	1.50	OMB175	89000990	16.0	191.0	1.50	2.29	0.53	0.88	1.42	12	65	85	120	106	2.0
175	130	1.50	OMB175-00		20.0	195.0	1.50	2.12	0.54	0.90	1.34	12	75	65	120	106	1.6
250	130	2.13	OMB250	89001000	19.5	269.5	2.13	3.15	0.53	1.25	1.94	18	65	120	155	141	2.8
250	130	2.13	OMB250-00	89001004	24.5	274.5	2.13	3.60	0.54	1.27	2.26	18	70	85	155	141	2.1
Metal-halide																	
35	85	0.53	OMS35	89001136	9.0	44.0	0.53	0.60	0.35	0.20	0.24	6	55	40	75	61	1.1
35	85	0.53	OMS35-04 (TH) ¹	89001140	9.0	44.0	0.53	0.60	0.35	0.20	0.24	6	55	40	75	61	1.1
35	85	0.53	OMS35-00		10.0	45.0	0.53	0.61	0.35	0.21	0.25	6	60	30	75	61	0.9
35	85	0.53	OMS35 (TH) ¹		10.0	45.0	0.53	0.61	0.35	0.21	0.25	6	60	30	75	61	0.9
50	95	0.61	OMB50	89001024	9.0	59.0	0.61	0.76	0.40	0.27	0.36	6	65	30	65	51	0.8
70	90	1.00	OMSL70A-01 ⁶	89001195	8.2	78.2	1.00	1.12	0.33	0.36	0.43	11	30	85	120	106	2.0
70	90	1.00	OMS70A	89001157	14.0	84.0	1.00	1.16	0.35	0.39	0.47	11	65	65	100	86	1.5
70	90	1.00	OMS70A-02 (TH) ¹	89001160	14.0	84.0	1.00	1.16	0.35	0.39	0.47	11	65	65	100	86	1.5
70	90	1.00	OMS70A-00	89001158	16.0	86.0	1.00	1.22	0.36	0.40	0.51	11	70	45	100	86	1.3
70	90	1.00	OMS70A-21 (TH) ¹	89001177	16.0	86.0	1.00	1.22	0.36	0.40	0.51	11	70	45	100	86	1.3
100	100	1.10	OMH100	89001055	14.0	114.0	1.10	1.40	0.43	0.53	0.71	11	70	65	100	86	1.5
100	100	1.10	OMH100-01 (TH) ¹	89001056	14.0	114.0	1.10	1.40	0.43	0.53	0.71	11	70	65	100	86	1.5
150	100	1.80	OMS150	89001093	20.0	170.0	1.80	2.30	0.39	0.79	1.06	18	55	105	155	141	2.4
150	100	1.80	OMS150-26 ⁶	89001109	20.0	170.0	1.80	2.30	0.39	0.79	1.06	18	55	105	155	141	2.5
150	100	1.80	OMS150-04 (TH) ¹	89001096	22.0	172.0	1.80	2.30	0.40	0.80	1.07	18	60	105	155	141	2.4
150	100	1.80	OMS150-00	89001094	22.5	172.5	1.80	2.35	0.40	0.80	1.09	18	65	85	155	141	2.1
150	100	1.80	OMS150-17 (TH) ¹	89001105	22.5	172.5	1.80	2.35	0.40	0.80	1.09	18	65	85	120	106	2.0
150	100	1.80	OMS150-22 (TH) ¹		22.5	172.5	1.80	2.35	0.40	0.80	1.09	18	65	85	155	141	2.1
175	130	1.50	OMB175	89000990	16.0	191.0	1.50	2.29	0.53	0.88	1.42	12	65	85	120	106	2.0
175	130	1.50	OMB175-00		20.0	195.0	1.50	2.12	0.54	0.90	1.34	12	75	65	120	106	1.6
250	130	2.13	OMB250	89001000	19.5	269.5	2.13	3.15	0.53	1.25	1.94	18	65	120	155	141	2.8
250	130	2.13	OMB250-00	89001004	24.5	274.5	2.13	3.60	0.54	1.27	2.26	18	70	85	155	141	2.1
250	100	3.00	OMS250.5 ⁵		36.0	286.0	3.00	3.60	0.40	1.32	1.67	30	65	85	120	106	2.1

Notes

- Ballasts have built-in thermal cutout devices specifically for short-arc metal-halide lamps.
- Capacitor – dual function – power factor correction and starting aid.
- Use with ZRM36-LP/B.
- Use with suitable ignitor.
- Split ballast, two required.
- With multiple voltage tappings
Ballasts for other wattage ratings available on request.

240 V 50 Hz – OM ballasts

Lamp			Ballast		Electrical								Thermal	Physical			
wattage	voltage	current	type	article number	loss hot W	input power W	lamp current A	lamp start current A	circuit P F cos φ	line current A@0.9PF	line start current A@0.9PF	capacitor μF@0.9PF	Δt	stack mm	length mm	mtg centres mm	weight kg
W	V	A			W	W	A	A		A	A	μF	°C	mm	mm	mm	kg
High-pressure mercury vapour																	
35	85	0.53	OMS35	89001136	9.0	44.0	0.53	0.60	0.35	0.20	0.24	6	55	40	75	61	1.1
35	85	0.53	OMS35-04 (TH) ¹	89001140	9.0	44.0	0.53	0.60	0.35	0.20	0.24	6	55	40	75	61	1.1
35	85	0.53	OMS35-00		10.0	45.0	0.53	0.61	0.35	0.21	0.25	6	60	30	75	61	0.9
35	85	0.53	OMS35 (TH) ¹		10.0	45.0	0.53	0.61	0.35	0.21	0.25	6	60	30	75	61	0.9
50	85	0.76	OMS50	89001144	11.5	61.5	0.76	0.87	0.34	0.28	0.34	8	65	55	90	76	1.4
50	85	0.76	OMS50-00		14.0	64.0	0.76	0.90	0.35	0.30	0.37	8	75	35	90	76	1.1
70	90	0.95	OMS70	89001151	12.5	82.5	0.94	1.14	0.37	0.38	0.49	10	70	55	90	76	1.4
70	90	1.00	OMSL70A-01 ⁶	89001195	8.2	78.2	1.00	1.12	0.33	0.36	0.43	11	30	85	120	106	2.0
70	90	1.00	OMS70A	89001157	14.0	84.0	1.00	1.16	0.35	0.39	0.47	11	65	65	100	86	1.5
70	90	1.00	OMS70A-02 (TH) ¹	89001160	14.0	84.0	1.00	1.16	0.35	0.39	0.47	11	65	65	100	86	1.5
70	90	1.00	OMS70A-00	89001158	16.0	86.0	1.00	1.22	0.36	0.40	0.51	11	70	45	100	86	1.3
70	90	1.00	OMS70A-21 (TH) ¹	89001177	16.0	86.0	1.00	1.22	0.36	0.40	0.51	11	70	45	100	86	1.3
100	100	1.20	OMS100	89001077	14.5	114.5	1.20	1.50	0.40	0.53	0.70	12	65	75	110	96	1.7
100	100	1.20	OMS100-00		18.0	118.0	1.20	1.45	0.41	0.55	0.69	12	75	55	110	96	1.5
150	100	1.80	OMS150	89001093	20.0	170.0	1.80	2.30	0.39	0.79	1.06	18	55	105	155	141	2.4
150	100	1.80	OMS150-26 ⁶	89001109	20.0	170.0	1.80	2.30	0.39	0.79	1.06	18	55	105	155	141	2.5
150	100	1.80	OMS150-04 (TH) ¹	89001096	22.0	172.0	1.80	2.30	0.40	0.80	1.07	18	60	105	155	141	2.4
150	100	1.80	OMS150-00	89001094	22.5	172.5	1.80	2.35	0.40	0.80	1.09	18	65	85	155	141	2.1
150	100	1.80	OMS150-17 (TH) ¹	89001105	22.5	172.5	1.80	2.35	0.40	0.80	1.09	18	65	85	120	106	2.0
150	100	1.80	OMS150-22 (TH) ¹		22.5	172.5	1.80	2.35	0.40	0.80	1.09	18	65	85	155	141	2.1
150	100	1.80	OMS150/100 (TH) ^{1,7}	89003580	22.5	172.5	1.80	2.30	0.40	0.80	1.07	18	55	105	155	141	2.5
250	100	3.00	OMS250.5 ⁵		36.0	286.0	3.00	3.60	0.40	1.32	1.67	30	65	85	120	106	2.1
Low-pressure sodium																	
18	57	0.35	OMLS18 ²		7.5	25.5	0.35	0.36	0.30	0.12	0.13	4	55	30	65	51	0.8
26	84	0.35	OMLS26 ³		6.5	32.5	0.35	0.40	0.39	0.15	0.18	3.5	50	30	65	51	0.8
35	70	0.60	OMLS35/55 ³		10.0	45.0	0.60	0.64	0.31	0.21	0.23	7	55	40	75	61	1.1
55	109	0.59	OMLS35/55 ³		10.0	65.0	0.59	0.64	0.46	0.30	0.34	6	55	40	75	61	1.1
90	112	0.94	OMLS90 ⁴		12.5	102.5	0.94	0.99	0.45	0.47	0.52	9	60	65	100	86	1.5

Notes

- Ballasts have built-in thermal cutout devices specifically for short-arc metal-halide lamps.
- Capacitor – dual function – power factor correction and starting aid.
- Use with ZRM36-LP/B.
- Use with suitable ignitor.
- Split ballast, two required.
- With multiple voltage tapplings
- With power tapplings
Ballasts for other wattage ratings available on request.

250 V 50 Hz – OM ballasts

Lamp			Ballast		Electrical								Thermal	Physical				
wattage	voltage	current	type	article number	loss hot	input power	lamp current	lamp start current	circuit P F	line current	line start current	capacitor	Δt	stack	length	mtg centres	weight	
W	V	A			W	W	A	A	cos φ	A@0.9PF	A@0.9PF	μF0.9PF		mm	mm	mm	kg	
High-pressure mercury vapour																		
40	90	0.53	OMB40		10.7	50.7	0.53	0.64	0.38	0.23	0.29	5	65	30	65	51	0.8	
50	95	0.61	OMB50-02	89001025	11.7	61.7	0.61	0.75	0.40	0.27	0.35	6	65	30	65	51	0.8	
75	130	0.64	OMB75		10.2	85.2	0.64	0.88	0.53	0.38	0.55	5	65	35	70	56	1.0	
80	115	0.80	OMB80-03	89001033	12.4	92.4	0.80	1.05	0.46	0.41	0.57	7	65	40	75	61	1.1	
100	130	0.85	OMB100		11.9	111.9	0.85	1.17	0.53	0.50	0.72	7	60	55	90	76	1.3	
100	115	1.00	OMB100A		14.1	114.1	1.00	1.31	0.46	0.51	0.70	9	65	55	90	76	1.3	
125	125	1.15	OMB125-05	89000980	14.2	139.2	1.15	1.58	0.48	0.62	0.89	10	60	65	100	86	1.5	
175	130	1.50	OMB175		17.6	192.6	1.50	2.08	0.51	0.86	1.25	12	65	85	120	106	2.0	
250	130	2.13	OMB250		23.3	273.3	2.13	2.96	0.51	1.21	1.77	18	65	120	155	141	2.8	
Metal-halide																		
50	95	0.61	OMB50-02	89001025	11.7	61.7	0.61	0.75	0.40	0.27	0.35	6	65	30	65	51	0.8	
70	90	1.00	OMSL70A-01 ³	89001195	8.6	78.6	1.00	1.12	0.31	0.35	0.41	11	30	85	120	106	2.0	
70	90	1.00	OMSL70A (TH) ¹	89002558	8.6	78.6	1.00	1.12	0.31	0.35	0.41	11	30	85	120	106	2.0	
70	90	1.00	OMS70A-05	89001163	15.3	85.3	1.00	1.20	0.34	0.38	0.48	10	65	65	100	86	1.5	
70	90	1.00	OMS70A (TH) ¹		15.3	85.3	1.00	1.20	0.34	0.38	0.48	10	65	65	100	86	1.5	
100	100	1.10	OMH100		15.7	115.7	1.10	1.37	0.42	0.51	0.67	10	70	65	100	86	1.5	
100	100	1.10	OMH100 (TH) ¹		15.7	115.7	1.10	1.37	0.42	0.51	0.67	10	70	65	100	86	1.5	
150	100	1.80	OMS150-11	89001103	21.5	171.5	1.80	2.20	0.38	0.76	0.98	18	60	105	155	141	2.4	
150	100	1.80	OMS150 (TH) ¹		23.0	173.0	1.80	2.20	0.38	0.77	0.99	18	65	105	155	141	2.4	
175	130	1.50	OMB175		17.6	192.6	1.50	2.08	0.51	0.86	1.25	12	65	85	120	106	2.0	
250	130	2.13	OMB250		23.3	273.3	2.13	2.96	0.51	1.21	1.77	18	65	120	155	141	2.8	
250	100	3.00	OMS250.5 ²		38.4	288.4	3.00	3.73	0.38	1.28	1.67	30	65	85	120	106	2.1	
High-pressure sodium																		
50	85	0.76	OMS50-03	89001146	12.5	62.5	0.76	0.90	0.33	0.28	0.35	8	65	55	90	76	1.4	
70	90	0.95	OMS70		15.2	85.2	0.94	1.15	0.36	0.38	0.49	10	70	55	90	76	1.4	
70	90	1.00	OMSL70A-01 ³	89001195	8.6	78.6	1.00	1.12	0.31	0.35	0.41	11	30	85	120	106	2.0	
70	90	1.00	OMSL70A (TH) ¹	89002558	8.6	78.6	1.00	1.12	0.31	0.35	0.41	11	30	85	120	106	2.0	
70	90	1.00	OMS70A-05	89001163	15.3	85.3	1.00	1.20	0.34	0.38	0.48	10	65	65	100	86	1.5	
70	90	1.00	OMS70A (TH) ¹		15.3	85.3	1.00	1.20	0.34	0.38	0.48	10	65	65	100	86	1.5	
100	100	1.20	OMS100-02	89001079	16.6	116.6	1.20	1.49	0.39	0.52	0.68	12	65	75	110	96	1.7	
150	100	1.80	OMS150-11	89001103	21.5	171.5	1.80	2.20	0.38	0.76	0.98	18	60	105	155	141	2.4	
150	100	1.80	OMS150 (TH) ¹		23.0	173.0	1.80	2.20	0.38	0.77	0.99	18	65	105	155	141	2.4	
250	100	3.00	OMS250.5 ²		38.4	288.4	3.00	3.73	0.38	1.28	1.67	30	65	85	120	106	2.1	

Notes

- Ballasts have built-in thermal cutout devices specifically for short-arc metal-halide lamps.
- Split ballast, two required.
- With multiple voltage tapings
Ballasts for other wattage ratings available on request.